

**PLEASE CHECK WWW.MOLEX.COM FOR LATEST PART INFORMATION**

**Part Number:** [0399400320](#)  
**Status:** **Active**  
**Description:** 5.08mm (.200") Pitch Beau™ EuroMate™ Pluggable PCB Terminal Block, Dual Level, 270° Wire Entry, 20 Circuits

**Documents:**

[Drawing \(PDF\)](#) [RoHS Certificate of Compliance \(PDF\)](#)  
[Product Specification PS-39940-001 \(PDF\)](#)

**Agency Certification**

UL E48521

**General**

Product Family	Terminal Blocks
Series	<a href="#">39940</a>
Application	Wire-to-Board
Comments	Gold plating available
Component Type	Plug
Product Literature Order No	USA-264
Product Name	EuroMate™ Pluggable
Type	Euro Block

**Physical**

Circuits (Loaded)	20
Color - Resin	Black
Entry Angle	Horizontal
Flammability	94V-0
Lock to Mating Part	None
Material - Resin	Nylon
Number of Rows	2
Orientation	Vertical
Panel Mount	No
Pitch - Mating Interface (in)	0.200 In
Pitch - Mating Interface (mm)	5.08 mm
Polarized to Mating Part	Yes
Stackable	No
Temperature Range - Operating	130°C
Termination Interface: Style	Screw or Lug
Wire Size AWG	12, 14, 16, 18, 20, 22
Wire Size mm²	0.50 - 2.50

**Electrical**

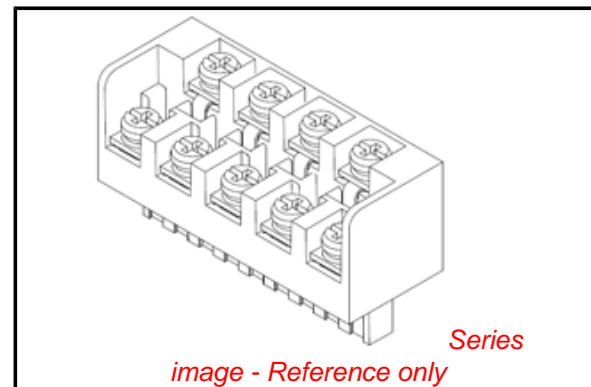
Current - Maximum per Contact	15A
Voltage - Maximum	300V

**Material Info**

Old Part Number	940920
-----------------	--------

**Reference - Drawing Numbers**

Product Specification	PS-39940-001
Sales Drawing	SD-39940-005



**EU RoHS**

**ELV and RoHS Compliant**  
**REACH SVHC**  
 Not Reviewed  
**Halogen-Free Status**  
 Not Reviewed

**China RoHS**



**Need more information on product environmental compliance?**

Email [productcompliance@molex.com](mailto:productcompliance@molex.com)  
 For a multiple part number RoHS Certificate of Compliance, [click here](#)

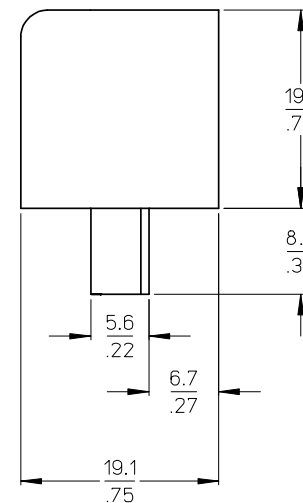
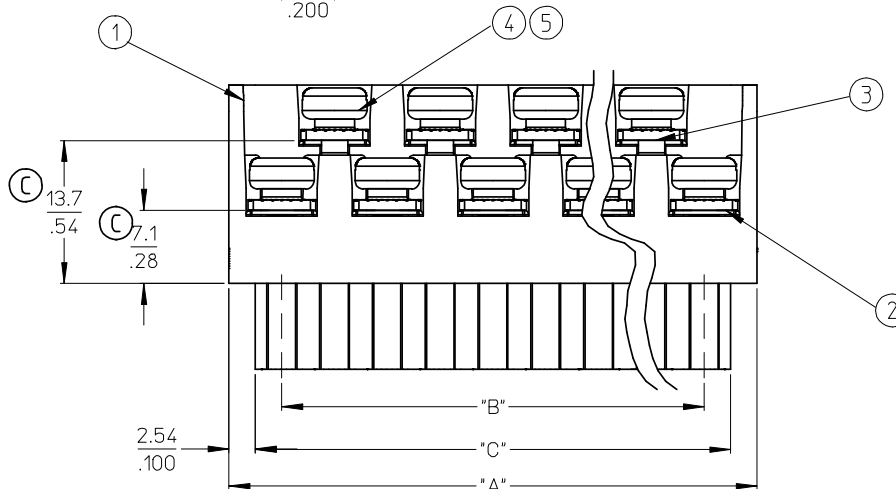
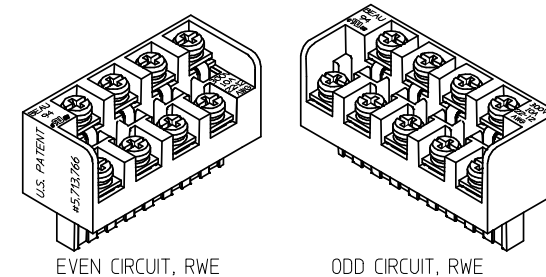
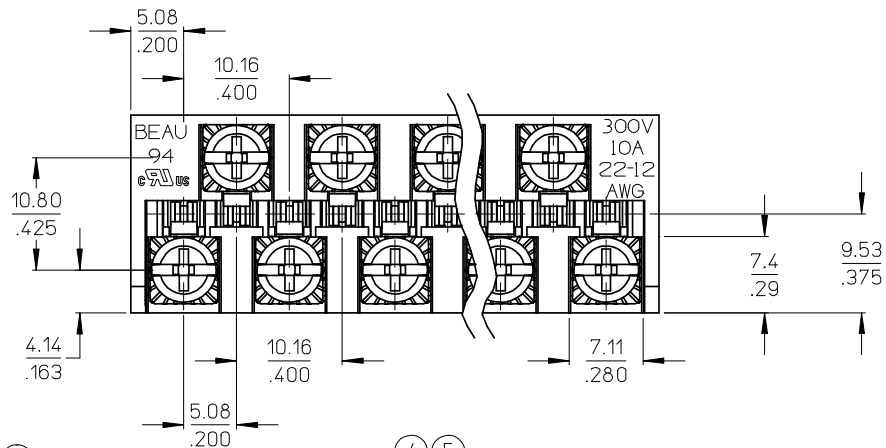
Please visit the [Contact Us](#) section for any non-product compliance questions.

**Search Parts in this Series**

[39940Series](#)

**Mates With**

[39531-0020](#) , [39531-1020](#) , [39532-0020](#) , [39532-1020](#)



NOTES:

1. MATERIAL: SEE TABLE
2. FINISHES: SEE TABLE
3. PRODUCT SPECIFICATION: NOT REQUIRED
4. PACKAGING: NOT REQUIRED
5. MATES WITH: MOST 5.08 (.200) PIN HEADERS
6. "XX" REFERS TO THE QUANTITY OF CIRCUITS
7. ROHS COMPLIANT

ODD CIRCUIT CONFIGURATION SHOWN

5	XX	XX	SCREW, M3.5 X .280	STEEL	ZINC CHROMATE
4	XX	XX	NUT, M3.5, HEX	STEEL	ZINC CHROMATE
3	XX/2	(XX-1)/2	REAR ROW TERM. (LONG)	PHOS. BRONZE	HOT TIN DIP
2	XX/2	(XX+1)/2	FRONT ROW TERM. (SHORT)	PHOS. BRONZE	HOT TIN DIP
1	1	1	BARRIER	THERMOPLASTIC	BLACK
ITEM	QTY. (EVEN NO. OF CIRCUITS)	QTY. (ODD NO. OF CIRCUITS)	DESCRIPTION	MATERIAL	FINISH

REVISED & REDRAWN  
 EC NO: WNA2008-0391  
 DRWN: JENC INAS 2008/07/01  
 CH'KD: CYORK 2008/07/02  
 APPR: JMACNEIL 2008/07/07

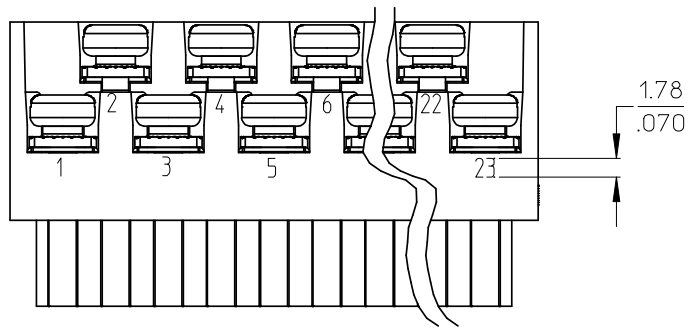
QUALITY SYMBOLS  
 ▽=0  
 ▽=0

GENERAL TOLERANCES (UNLESS SPECIFIED)	
	mm INCH
4 PLACES	± --- ± ---
3 PLACES	± --- ± .005
2 PLACES	± 0.13 ± .01
1 PLACE	± 0.3 ± ---
ANGULAR ± 2 °	
DRAFT WHERE APPLICABLE MUST REMAIN WITHIN DIMENSIONS	

DIMENSION STYLE	
MM/IN	
DRAWN BY	DATE
J. FARMER	2004/12/03
CHECKED BY	DATE
R. KEMP	2004/12/03
APPROVED BY	DATE
GHR	2004/12/03
MATERIAL NO.	DOCUMENT NO.
SEE SHEET 2	SD-39940-005
SIZE B	THIS DRAWING CONTAINS INFORMATION THAT IS PROPRIETARY TO MOLEX INCORPORATED AND SHOULD NOT BE USED WITHOUT WRITTEN PERMISSION

SCALE	DESIGN UNITS	THIRD ANGLE PROJECTION
2:1	INCH	
TITLE		
5.08/.200 PLUG ASSY, FWE WITH CLOSED ENDS (9409XX)		
MOLEX MOLEX INCORPORATED		
DOCUMENT NO.		SHEET NO.
SD-39940-005		1 OF 2

NO. OF CIRC. "XX"	"A" DIM.		"B" DIM.		"C" <sup>+0.00</sup> <sub>-.25</sub> [ <sup>+0.000</sup> <sub>-.010</sub> ]	MATERIAL NO. (STANDARD)	
03	20.3	[.80]	10.16	[.400]	15.2	[.60]	399400303
04	25.4	[1.00]	15.24	[.600]	20.3	[.80]	399400304
05	30.5	[1.20]	20.32	[.800]	25.4	[1.00]	399400305
06	35.6	[1.40]	25.40	[1.000]	30.5	[1.20]	399400306
07	40.6	[1.60]	30.48	[1.200]	35.6	[1.40]	399400307
08	45.7	[1.80]	35.56	[1.400]	40.6	[1.60]	399400308
09	50.8	[2.00]	40.64	[1.600]	45.7	[1.80]	399400309
10	55.9	[2.20]	45.72	[1.800]	50.8	[2.00]	399400310
11	61.0	[2.40]	50.80	[2.000]	55.9	[2.20]	399400311
12	66.0	[2.60]	55.88	[2.200]	61.0	[2.40]	399400312
13	71.1	[2.80]	60.96	[2.400]	66.0	[2.60]	399400313
14	76.2	[3.00]	66.04	[2.600]	71.1	[2.80]	399400314
15	81.3	[3.20]	71.12	[2.800]	76.2	[3.00]	399400315
16	86.4	[3.40]	76.20	[3.000]	81.3	[3.20]	399400316
17	91.4	[3.60]	81.28	[3.200]	86.4	[3.40]	399400317
18	96.5	[3.80]	86.36	[3.400]	91.4	[3.60]	399400318
19	101.6	[4.00]	91.44	[3.600]	96.5	[3.80]	399400319
20	106.7	[4.20]	96.52	[3.800]	101.6	[4.00]	399400320
21	111.8	[4.40]	101.60	[4.000]	106.7	[4.20]	399400321
22	116.9	[4.60]	106.68	[4.200]	111.8	[4.40]	399400322
23	121.9	[4.80]	111.76	[4.400]	116.8	[4.60]	399400323
24	127.0	[5.00]	116.84	[4.600]	121.9	[4.80]	399400324



OPTIONAL  
10A IMPRINTING  
(ODD CIRCUIT CONFIGURATION SHOWN)

SEE SHEET ONE EEC NO: WNA2008-0391 DRWN: JENCINAS 2008/07/01 CHKD: CYORK 2008/07/02 APPR: JMACNEIL 2008/07/07	QUALITY SYMBOLS ▽=0 ◻=0	GENERAL TOLERANCES (UNLESS SPECIFIED)		DIMENSION STYLE MM/IN	SCALE 2:1	DESIGN UNITS INCH	THIRD ANGLE PROJECTION	
		4 PLACES ± --- ± ---	mm INCH	DRAWN BY J. FARMER	DATE 2004/12/03	TITLE 5.08/.200 PLUG ASSY, FWE WITH CLOSED ENDS (9409XX)		
		3 PLACES ± --- ± .005		CHECKED BY R. KEMP	DATE 2004/12/03	MOLEX INCORPORATED		
		2 PLACES ± 0.13 ± .01		APPROVED BY GHR	DATE 2004/12/03	MATERIAL NO. SEE CHART	DOCUMENT NO. SD-39940-005	SHEET NO. 2 OF 2
		1 PLACE ± 0.3 ± ---		ANGULAR ± 2 °		DRAFT WHERE APPLICABLE MUST REMAIN WITHIN DIMENSIONS		
THIS DRAWING CONTAINS INFORMATION THAT IS PROPRIETARY TO MOLEX INCORPORATED AND SHOULD NOT BE USED WITHOUT WRITTEN PERMISSION								