

PLEASE CHECK WWW.MOLEX.COM FOR LATEST PART INFORMATION

Part Number: [0399400322](#)
Status: **Active**
Description: 5.08mm (.200") Pitch Beau™ EuroMate™ Pluggable PCB Terminal Block, Dual Level, 270° Wire Entry, 22 Circuits

Documents:

[Drawing \(PDF\)](#) [RoHS Certificate of Compliance \(PDF\)](#)
[Product Specification PS-39940-001 \(PDF\)](#)

Agency Certification

UL E48521

General

Product Family	Terminal Blocks
Series	39940
Application	Wire-to-Board
Comments	Gold plating available
Component Type	Plug
Product Literature Order No	USA-264
Product Name	EuroMate™ Pluggable
Type	Euro Block

Physical

Circuits (Loaded)	22
Color - Resin	Black
Entry Angle	Horizontal
Flammability	94V-0
Lock to Mating Part	None
Material - Resin	Nylon
Number of Rows	2
Orientation	Vertical
Panel Mount	No
Pitch - Mating Interface (in)	0.200 In
Pitch - Mating Interface (mm)	5.08 mm
Polarized to Mating Part	Yes
Stackable	No
Temperature Range - Operating	130°C
Termination Interface: Style	Screw or Lug
Wire Size AWG	12, 14, 16, 18, 20, 22
Wire Size mm²	0.50 - 2.50

Electrical

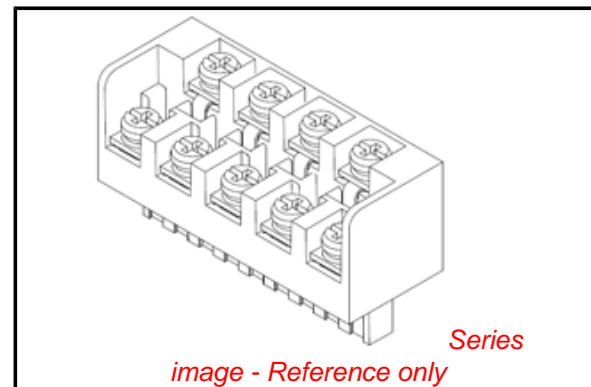
Current - Maximum per Contact	15A
Voltage - Maximum	300V

Material Info

Old Part Number 940922

Reference - Drawing Numbers

Product Specification	PS-39940-001
Sales Drawing	SD-39940-005



EU RoHS

ELV and RoHS Compliant
REACH SVHC
 Not Reviewed
Halogen-Free Status
 Not Reviewed

China RoHS



Need more information on product environmental compliance?

Email productcompliance@molex.com
 For a multiple part number RoHS Certificate of Compliance, [click here](#)

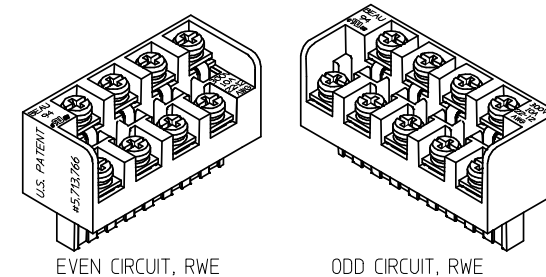
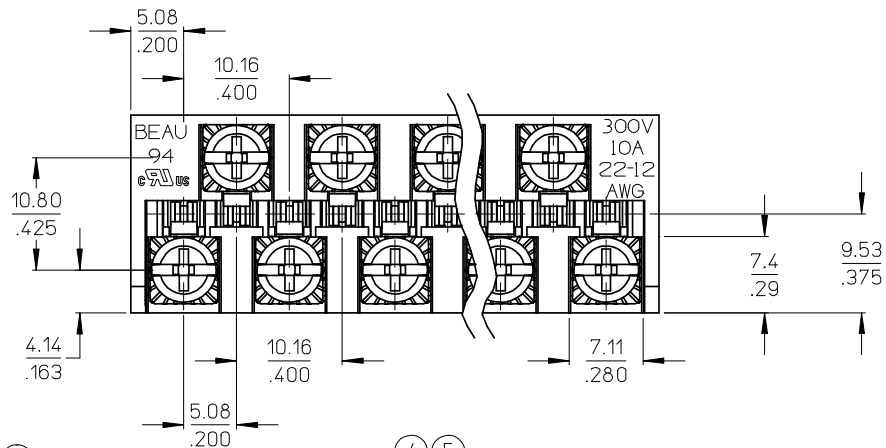
Please visit the [Contact Us](#) section for any non-product compliance questions.

Search Parts in this Series

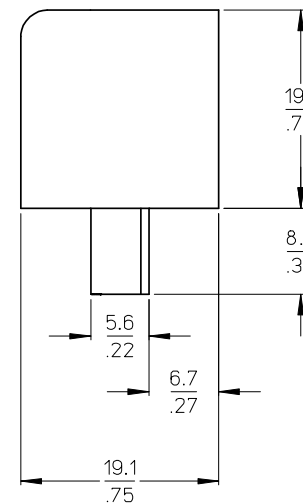
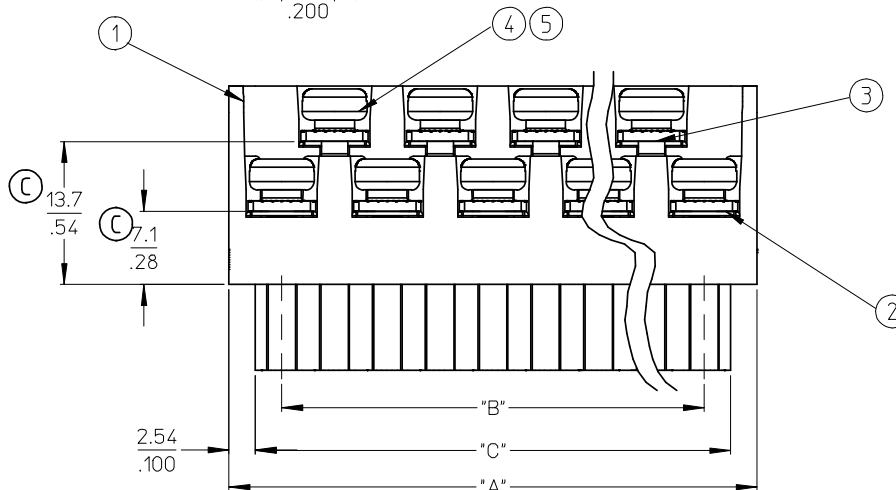
[39940Series](#)

Mates With

[39531-0022](#) , [39531-1022](#) , [39532-0022](#) , [39532-1022](#)



AUXILIARY VIEWS
SCALE 1:1



NOTES:

1. MATERIAL: SEE TABLE
2. FINISHES: SEE TABLE
3. PRODUCT SPECIFICATION: NOT REQUIRED
4. PACKAGING: NOT REQUIRED
5. MATES WITH: MOST 5.08 (.200) PIN HEADERS
6. "XX" REFERS TO THE QUANTITY OF CIRCUITS
7. ROHS COMPLIANT

ODD CIRCUIT CONFIGURATION SHOWN

5	XX	XX	SCREW, M3.5 X .280	STEEL	ZINC CHROMATE
4	XX	XX	NUT, M3.5, HEX	STEEL	ZINC CHROMATE
3	XX/2	(XX-1)/2	REAR ROW TERM. (LONG)	PHOS. BRONZE	HOT TIN DIP
2	XX/2	(XX+1)/2	FRONT ROW TERM. (SHORT)	PHOS. BRONZE	HOT TIN DIP
1	1	1	BARRIER	THERMOPLASTIC	BLACK
ITEM	QTY. (EVEN NO. OF CIRCUITS)	QTY. (ODD NO. OF CIRCUITS)	DESCRIPTION	MATERIAL	FINISH

REVISED & REDRAWN
EC NO: WNA2008-0391
DRWN: JENC INAS 2008/07/01
CHKD: CYORK 2008/07/02
APPR: JMACNEIL 2008/07/07

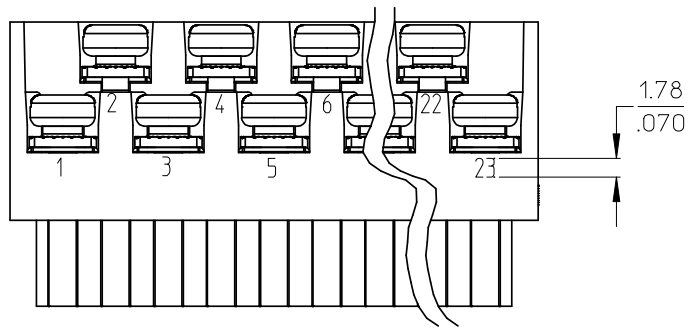
QUALITY SYMBOLS
▽=0
▽=0

GENERAL TOLERANCES (UNLESS SPECIFIED)	
	mm INCH
4 PLACES	± --- ± ---
3 PLACES	± --- ± .005
2 PLACES	± 0.13 ± .01
1 PLACE	± 0.3 ± ---
ANGULAR ± 2 °	
DRAFT WHERE APPLICABLE MUST REMAIN WITHIN DIMENSIONS	

DIMENSION STYLE	
MM/IN	
DRAWN BY	DATE
J. FARMER	2004/12/03
CHECKED BY	DATE
R. KEMP	2004/12/03
APPROVED BY	DATE
GHR	2004/12/03
MATERIAL NO.	DOCUMENT NO.
SEE SHEET 2	SD-39940-005
SIZE B	THIS DRAWING CONTAINS INFORMATION THAT IS PROPRIETARY TO MOLEX INCORPORATED AND SHOULD NOT BE USED WITHOUT WRITTEN PERMISSION

SCALE	DESIGN UNITS	THIRD ANGLE PROJECTION
2:1	INCH	
TITLE		
5.08/.200 PLUG ASSY, FWE WITH CLOSED ENDS (9409XX)		
MOLEX MOLEX INCORPORATED		
DOCUMENT NO.		SHEET NO.
SD-39940-005		1 OF 2

NO. OF CIRC. "XX"	"A" DIM.	"B" DIM.	"C" ^{+0.00} _{-.25} [^{+0.000} _{-.010}]	MATERIAL NO. (STANDARD)
03	20.3 [.80]	10.16 [.400]	15.2 [.60]	399400303
04	25.4 [1.00]	15.24 [.600]	20.3 [.80]	399400304
05	30.5 [1.20]	20.32 [.800]	25.4 [1.00]	399400305
06	35.6 [1.40]	25.40 [1.000]	30.5 [1.20]	399400306
07	40.6 [1.60]	30.48 [1.200]	35.6 [1.40]	399400307
08	45.7 [1.80]	35.56 [1.400]	40.6 [1.60]	399400308
09	50.8 [2.00]	40.64 [1.600]	45.7 [1.80]	399400309
10	55.9 [2.20]	45.72 [1.800]	50.8 [2.00]	399400310
11	61.0 [2.40]	50.80 [2.000]	55.9 [2.20]	399400311
12	66.0 [2.60]	55.88 [2.200]	61.0 [2.40]	399400312
13	71.1 [2.80]	60.96 [2.400]	66.0 [2.60]	399400313
14	76.2 [3.00]	66.04 [2.600]	71.1 [2.80]	399400314
15	81.3 [3.20]	71.12 [2.800]	76.2 [3.00]	399400315
16	86.4 [3.40]	76.20 [3.000]	81.3 [3.20]	399400316
17	91.4 [3.60]	81.28 [3.200]	86.4 [3.40]	399400317
18	96.5 [3.80]	86.36 [3.400]	91.4 [3.60]	399400318
19	101.6 [4.00]	91.44 [3.600]	96.5 [3.80]	399400319
20	106.7 [4.20]	96.52 [3.800]	101.6 [4.00]	399400320
21	111.8 [4.40]	101.60 [4.000]	106.7 [4.20]	399400321
22	116.9 [4.60]	106.68 [4.200]	111.8 [4.40]	399400322
23	121.9 [4.80]	111.76 [4.400]	116.8 [4.60]	399400323
24	127.0 [5.00]	116.84 [4.600]	121.9 [4.80]	399400324



OPTIONAL
10A IMPRINTING
(ODD CIRCUIT CONFIGURATION SHOWN)

SEE SHEET ONE EEC NO: WNA2008-0391 DRWN: JENCINAS 2008/07/01 CHKD: CYORK 2008/07/02 APPR: JMACNEIL 2008/07/07	QUALITY SYMBOLS ▽=0 ▽=0	GENERAL TOLERANCES (UNLESS SPECIFIED)		DIMENSION STYLE MM/IN	SCALE 2:1	DESIGN UNITS INCH	THIRD ANGLE PROJECTION	
		4 PLACES ± --- ± ---	mm INCH	DRAWN BY J. FARMER	DATE 2004/12/03	TITLE 5.08/.200 PLUG ASSY, FWE WITH CLOSED ENDS (9409XX)		
		3 PLACES ± --- ± .005		CHECKED BY R. KEMP	DATE 2004/12/03	MOLEX INCORPORATED		
		2 PLACES ± 0.13 ± .01		APPROVED BY GHR	DATE 2004/12/03	MATERIAL NO. SEE CHART	DOCUMENT NO. SD-39940-005	SHEET NO. 2 OF 2
1 PLACE ± 0.3 ± ---		ANGULAR ± 2 °	DRAFT WHERE APPLICABLE MUST REMAIN WITHIN DIMENSIONS		THIS DRAWING CONTAINS INFORMATION THAT IS PROPRIETARY TO MOLEX INCORPORATED AND SHOULD NOT BE USED WITHOUT WRITTEN PERMISSION			