

**PLEASE CHECK WWW.MOLEX.COM FOR LATEST PART INFORMATION**

**Part Number:** [0734040873](#)  
**Status:** **Active**  
**Overview:** FAKRA II SMB and FAKRA RF Connector Systems  
**Description:** 50 Ohms, FAKRA/SMB Receptacle, Right-Angle, PCB Mount, Anti-tip Feature, Die Cast Shroud, PCB Standoffs, Code D/Bordeaux Violet

**Documents:**

[Drawing \(PDF\)](#) [RoHS Certificate of Compliance \(PDF\)](#)

**General**

Product Family	RF/Coax Connectors
Series	<a href="#">73404</a>
Overview	<a href="#">FAKRA II SMB and FAKRA RF Connector Systems</a>
Product Name	FAKRA, SMB
Style	PCB
UPC	756054164587
Wire/Cable Type	N/A

**Physical**

Gender	Jack
Keying to Mating Part	Yes
Orientation	Right Angle
PCB Mounting	Through Hole
PCB Thickness - Recommended	2.40mm
Packaging Type	Tray
Panel Mount	No
Panel Mount Method	N/A

**Electrical**

Impedance	50#
-----------	-----

**Solder Process Data**

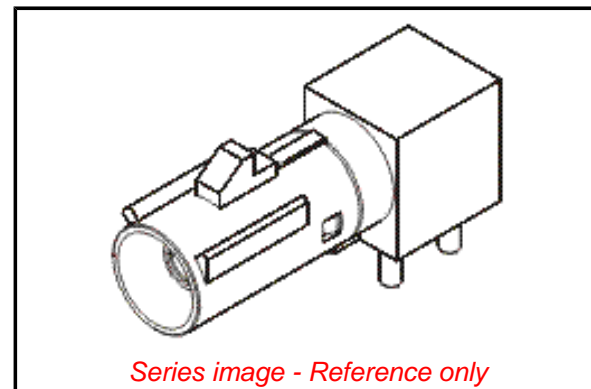
Lead-freeProcess Capability	SMC&WAVE
Process Temperature max. C	260

**Material Info**

Old Part Number	734040871
-----------------	-----------

**Reference - Drawing Numbers**

Sales Drawing	SD-73404-087
---------------	--------------



**EU ELV**

**Not Relevant**

**EU RoHS**

**Not Reviewed**

**REACH SVHC**

Not Reviewed

**Halogen-Free**

**Status**

**Not Reviewed**

**Need more information on product environmental compliance?**

Email [productcompliance@molex.com](mailto:productcompliance@molex.com)  
Please visit the [Contact Us](#) section for any non-product compliance questions.

China ROHS

Not Reviewed

ELV

Not Relevant

**Search Parts in this Series**

[73404 Series](#)

**PLEASE CHECK WWW.MOLEX.COM FOR LATEST PART INFORMATION**