

PLEASE CHECK WWW.MOLEX.COM FOR LATEST PART INFORMATION

Part Number: [0734041423](#)
Status: **Active**
Overview: FAKRA II SMB and FAKRA RF Connector Systems
Description: 50 Ohms, FAKRA/SMB Straight Jack, Crimp, RG-174, RG-188 and RG-316 Cable, Code D / Bordeaux Violet

Documents:

[Drawing \(PDF\)](#) [RoHS Certificate of Compliance \(PDF\)](#)

General

Product Family	RF/Coax Connectors
Series	73404
Overview	FAKRA II SMB and FAKRA RF Connector Systems
Product Name	FAKRA, SMB
Style	Cable
UPC	822348767694
Wire/Cable Type	RG-174, RG-188, RG-316

Physical

Gender	Jack
Keying to Mating Part	Yes
Net Weight	5.772/g
Orientation	Straight
PCB Mounting	N/A
Packaging Type	Tray
Panel Mount	No
Panel Mount Method	N/A
Reverse Polar	No

Electrical

Impedance	50#
-----------	-----

Solder Process Data

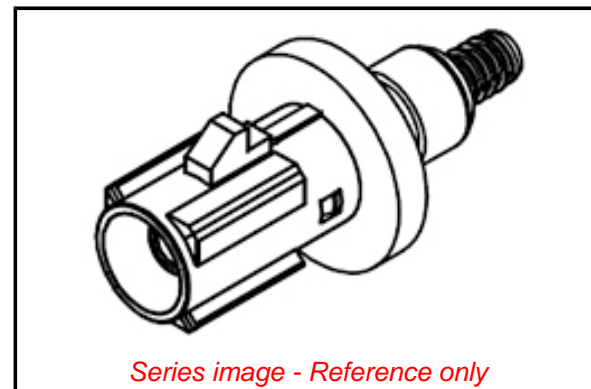
Lead-freeProcess Capability	N/A
-----------------------------	-----

Material Info

Old Part Number	734141423
-----------------	-----------

Reference - Drawing Numbers

Sales Drawing	SD-73404-142
---------------	--------------



Series image - Reference only

EU ELV

Not Relevant

EU RoHS

Compliant with Exemption 6(c)

REACH SVHC

Not Contained Per - ED/21/2016 (20 June 2016)

Halogen-Free

Status

Not Low-Halogen

Need more information on product environmental compliance?

Email productcompliance@molex.com
Please visit the [Contact Us](#) section for any non-product compliance questions.

China ROHS

50 Image

ELV

Not Relevant

Search Parts in this Series

73404 Series

PLEASE CHECK WWW.MOLEX.COM FOR LATEST PART INFORMATION