

**PLEASE CHECK WWW.MOLEX.COM FOR LATEST PART INFORMATION**

**Part Number:** [0734041424](#)  
**Status:** **Active**  
**Overview:** FAKRA II SMB and FAKRA RF Connector Systems  
**Description:** 50 Ohms, FAKRA/SMB Straight Jack, Crimp, RG-174, RG-188 and RG-316 Cable, Code E / Green

**Documents:**

[Drawing \(PDF\)](#) [RoHS Certificate of Compliance \(PDF\)](#)

**General**

|                 |   |
|-----------------|---|
| Product Family  | RF/Coax Connectors  |
| Series          | <a href="#">73404</a>                                       |
| Overview        | <a href="#">FAKRA II SMB and FAKRA RF Connector Systems</a> |
| Product Name    | FAKRA, SMB  |
| Style           | Cable   |
| UPC             | 822348006649  |
| Wire/Cable Type | RG-174, RG-188, RG-316                                      |

**Physical**

|                       |          |
|-----------------------|----------|
| Gender                | Jack     |
| Keying to Mating Part | Yes      |
| Orientation           | Straight |
| PCB Mounting          | N/A      |
| Packaging Type        | Tray     |
| Panel Mount           | No       |
| Panel Mount Method    | Bulkhead |
| Reverse Polar         | No       |

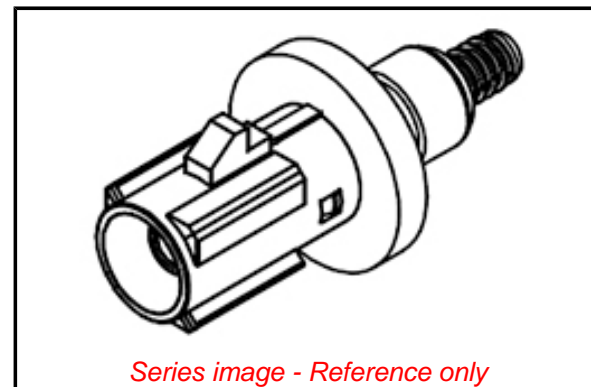
**Electrical**

|           |     |
|-----------|-----|
| Impedance | 50# |
|-----------|-----|

**Material Info**

**Reference - Drawing Numbers**

|               |              |
|---------------|--------------|
| Sales Drawing | SD-73404-142 |
|---------------|--------------|



*Series image - Reference only*

**EU ELV**

**Not Reviewed**

**EU RoHS**

**Not Reviewed**

**REACH SVHC**

Not Reviewed

**Halogen-Free**

**Status**

**Not Reviewed**

**Need more information on product environmental compliance?**

Email [productcompliance@molex.com](mailto:productcompliance@molex.com)  
Please visit the [Contact Us](#) section for any non-product compliance questions.

China ROHS

Not Reviewed

ELV

Not Reviewed

**Search Parts in this Series**

[73404 Series](#)

**PLEASE CHECK WWW.MOLEX.COM FOR LATEST PART INFORMATION**