

**PLEASE CHECK WWW.MOLEX.COM FOR LATEST PART INFORMATION**

**Part Number:** [0734041428](#)  
**Status:** **Active**  
**Overview:** FAKRA II SMB and FAKRA RF Connector Systems  
**Description:** 50 Ohms, FAKRA/SMB Straight Jack, Crimp, RG-174, RG-188 and RG-316 Cable, Code I / Beige

**Documents:**

[Drawing \(PDF\)](#) [RoHS Certificate of Compliance \(PDF\)](#)

**General**

Product Family	RF/Coax Connectors
Series	<a href="#">73404</a>
Overview	<a href="#">FAKRA II SMB and FAKRA RF Connector Systems</a>
Product Name	FAKRA, SMB
Style	Cable
UPC	822348767670
Wire/Cable Type	RG-174, RG-188, RG-316

**Physical**

Gender	Jack
Keying to Mating Part	Yes
Orientation	Straight
PCB Mounting	N/A
Packaging Type	Tray
Panel Mount	No
Panel Mount Method	Bulkhead
Reverse Polar	No

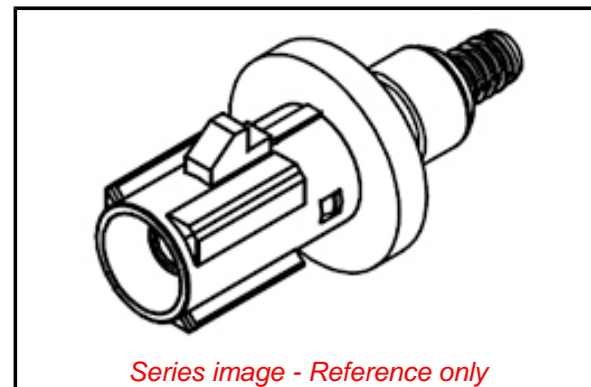
**Electrical**

Impedance	50#
-----------	-----

**Material Info**

**Reference - Drawing Numbers**

Sales Drawing	SD-73404-142
---------------	--------------



*Series image - Reference only*

**EU ELV**

**Not Reviewed**

**EU RoHS**

**Not Reviewed**

**REACH SVHC**

Not Reviewed

**Halogen-Free**

**Status**

**Not Reviewed**

**Need more information on product environmental compliance?**

Email [productcompliance@molex.com](mailto:productcompliance@molex.com)  
Please visit the [Contact Us](#) section for any non-product compliance questions.

China ROHS

Not Reviewed

ELV

Not Reviewed

**Search Parts in this Series**

[73404 Series](#)

**PLEASE CHECK WWW.MOLEX.COM FOR LATEST PART INFORMATION**