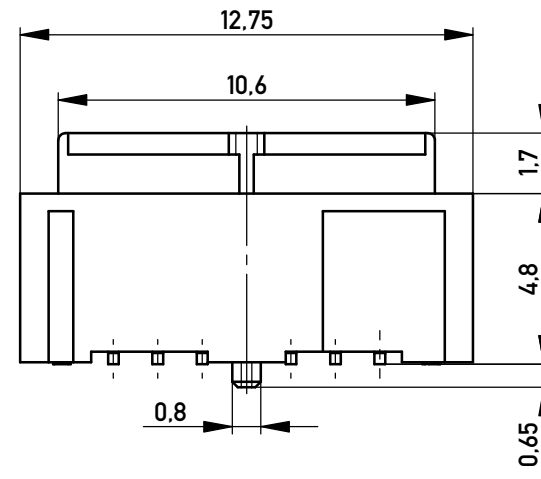
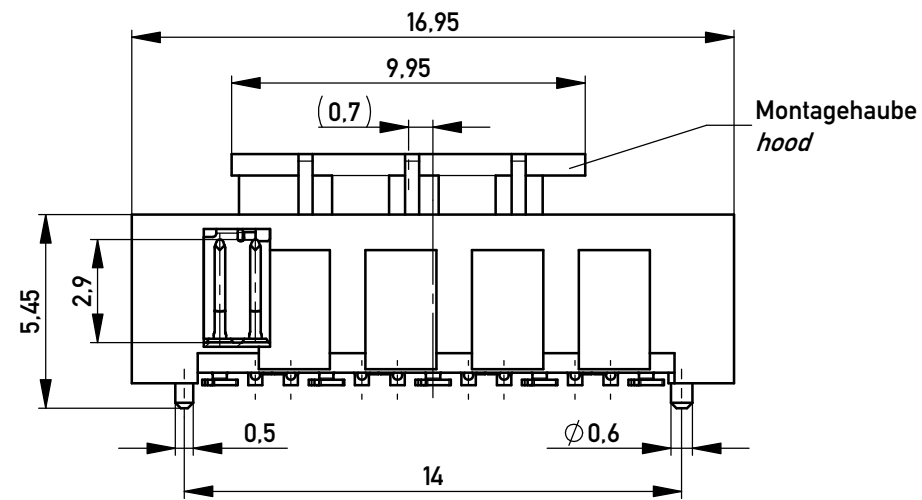
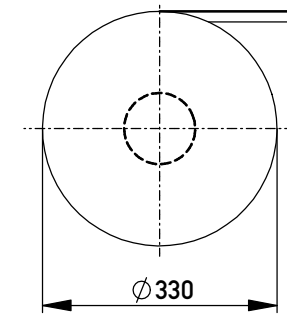
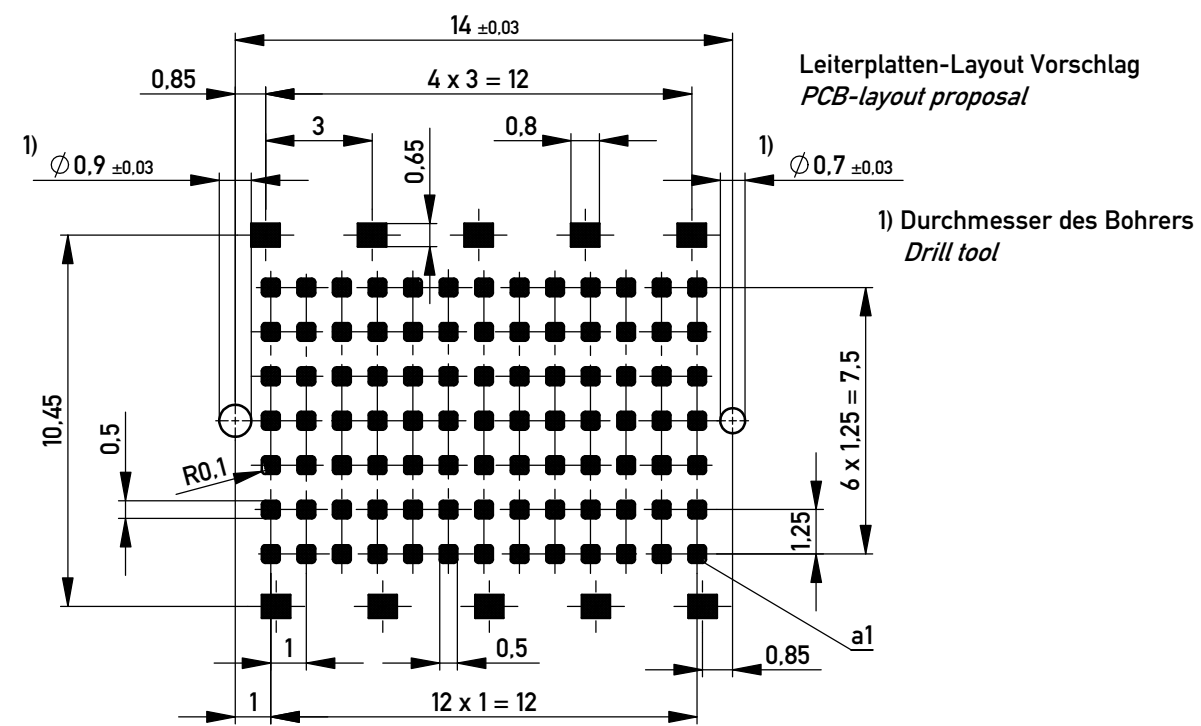
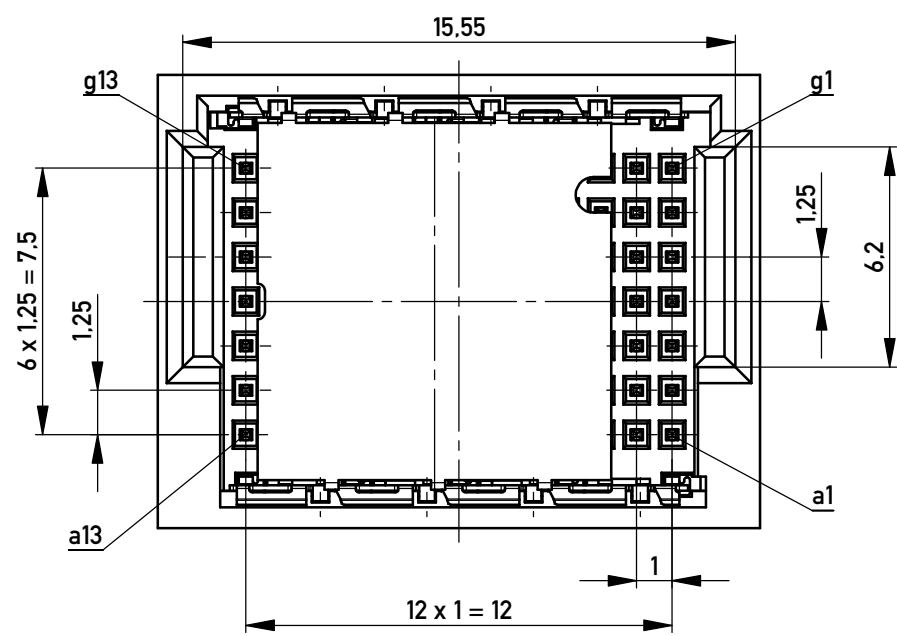
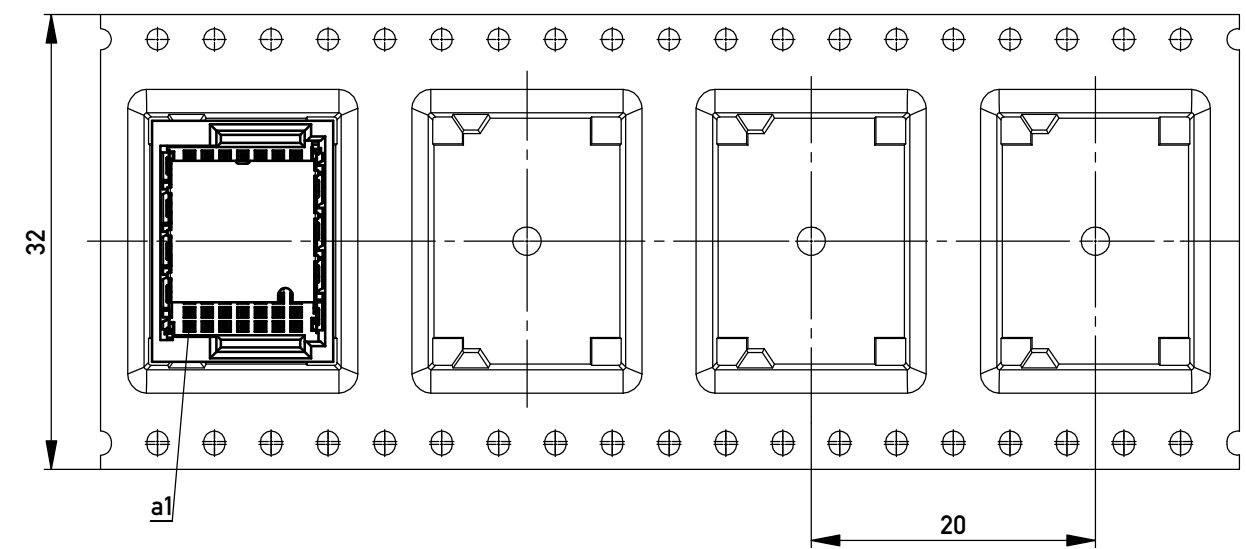


Verpackt im Gurt nach DIN IEC 60286-3
 Tape on Reel Packaging according to DIN IEC 60286-3
 Verpackungseinheit: 320 Stück
 Packaging unit: 320 pcs



Abspulrichtung - Reel off Direction



Leiterplatten-Layout Vorschlag
 PCB-layout proposal

1) Durchmesser des Bohrers
 Drill tool

Anforderungsstufe 1
 Performance Level 1

Kontaktbereich vergoldet
 Mating Area gold plating

Anschlussbereich verzinnt 4-6 µm
 Terminal Area 4-6 µm tin plating

Koplanarität der Anschlüsse ≤ 0,1 mm
 Coplanarity Area of Termination ≤ 0,1 mm

Information:	Tolerances	 All Dimensions in mm	Scale	5:1
	All rights reserved. Only for Information. To ensure that this is the latest version of this drawing, please contact one of the ERNI companies before using.		Designation Messerleiste SMD, 91-pol. BM Male con. SMD, 91 cont. BM	
Subject to modification without prior notice. Drawing will not be updated.		 www.ERNI.com	100104000001	
b	16.03.2015		Class MSPEED	
Index	Date	K A3		

Copyright by ERNI GmbH
 Proprietary notice pursuant to ISO 16016 to be observed.