

**PLEASE CHECK WWW.MOLEX.COM FOR LATEST PART INFORMATION**

**Part Number:** [1050190005](#)  
**Status:** **Active**  
**Overview:** [displayport](#)  
**Description:** 0.50mm (.020") Pitch DisplayPort\* Male Receptacle, Right Angle, SMT, Reverse Type, Gold (Au) Flash Plating, 20 Circuits, without Peg, Leadfree

**Documents:**

[3D Model](#) [RoHS Certificate of Compliance \(PDF\)](#)  
[Drawing \(PDF\)](#)

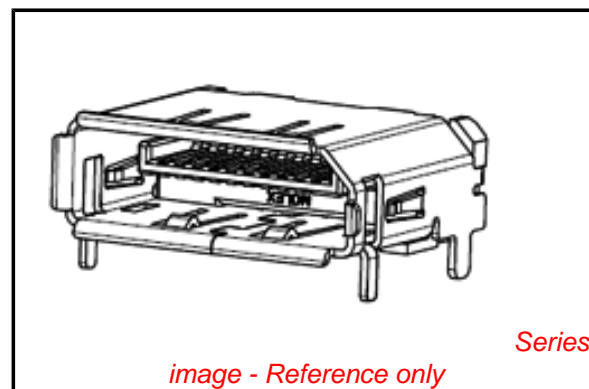
**General**

Product Family	I/O Connectors
Series	<a href="#">105019</a>
Application	Wire-to-Board
Comments	Without Post
Component Type	Receptacle
Overview	<a href="#">displayport</a>
Product Name	DisplayPort*
Type	N/A

**Physical**

Boot Color	N/A
Circuits (Loaded)	20
Circuits (maximum)	20
Color - Resin	Black
Gender	Male
Keying to Mating Part	Yes
Lock to Mating Part	Yes
Material - Metal	Copper Alloy
Material - Plating Mating	Gold
Material - Plating Termination	Tin-Bismuth
Material - Resin	High Temperature Thermoplastic
Number of Rows	2
Orientation	Right Angle
PCB Locator	No
PCB Retention	Yes
PCB Thickness Recommended (in)	0.063 In
PCB Thickness Recommended (mm)	1.60 mm
Packaging Type	Embossed Tape on Reel
Panel Mount	Yes
Pitch - Mating Interface (in)	0.039 In
Pitch - Mating Interface (mm)	0.50 mm
Pitch - Term. Interface (in)	0.039 In
Pitch - Term. Interface (mm)	0.50 mm
Plating min: Mating (µin)	2
Plating min: Mating (µm)	0.05
Plating min: Termination (µin)	40
Plating min: Termination (µm)	1
Polarized to Mating Part	Yes
Polarized to PCB	Yes
Ports	1
Temperature Range - Operating	-20°C to +85°C
Termination Interface: Style	Surface Mount
Waterproof / Dustproof	No

**Electrical**



**EU RoHS**

**ELV and RoHS  
Compliant**  
**REACH SVHC  
Not Reviewed**  
**Halogen-Free  
Status  
Not Reviewed**

**China RoHS**



**Need more information on product  
environmental compliance?**

Email [productcompliance@molex.com](mailto:productcompliance@molex.com)  
 For a multiple part number RoHS Certificate of Compliance, [click here](#)

Please visit the [Contact Us](#) section for any non-product compliance questions.

**Search Parts in this Series**  
[105019Series](#)

Current - Maximum per Contact	0.5A
Grounding to Panel	Yes
Shield Type	Full Shield
Shielded	Yes
Voltage - Maximum	40V AC

### **Material Info**

### **Reference - Drawing Numbers**

Packaging Specification	PK-105019-001
Sales Drawing	SD-105019-001

\* DisplayPort is a Trademark of VESA

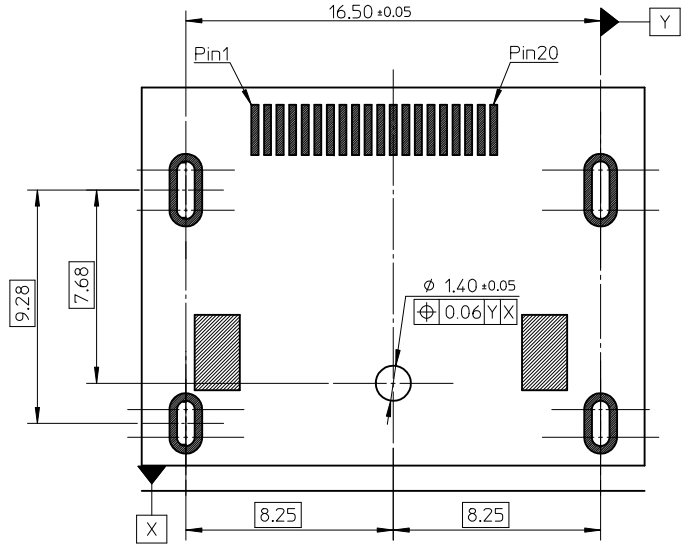
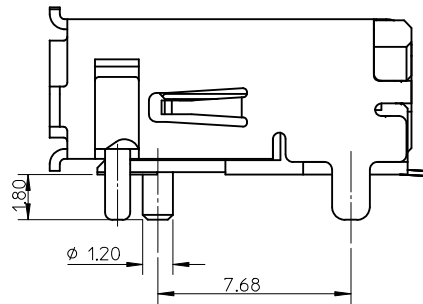
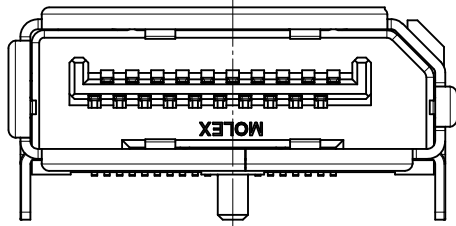
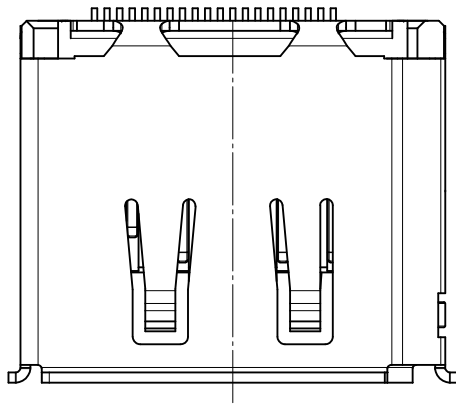
This document was generated on 05/31/2010

**PLEASE CHECK [WWW.MOLEX.COM](http://WWW.MOLEX.COM) FOR LATEST PART INFORMATION**



10 9 8 7 6 5 4 3 2 1

P/N	POST	PLATING ON CONTACT AREA	PLATING ON SOLDEING TAIL
105019-0001	WITHOUT	SEE NOTE 2(1)	SEE NOTE 2(a)
105019-0002	WITH	SEE NOTE 2(1)	SEE NOTE 2(a)
105019-0005	WITHOUT	SEE NOTE 2(2)	SEE NOTE 2(a)
105019-0006	WITH	SEE NOTE 2(2)	SEE NOTE 2(a)
105019-0007	WITHOUT	SEE NOTE 2(1)	SEE NOTE 2(b)



WITH POST

NOTES:  
1. UNSPECIFIED DIMENSION ARE SAME AS SHEET1

NEW RELEASE EC NO: SH2010-0188 DRWN:HHE CHKD:FYANG05 APPR:RZHANG	2009/12/09 2009/12/09 2009/12/29	QUALITY SYMBOLS ▽=0 ∇=0	GENERAL TOLERANCES (UNLESS SPECIFIED)		DIMENSION STYLE MM ONLY		SCALE 5:1	DESIGN UNITS METRIC	THIRD ANGLE PROJECTION		
	DESCRIPTION REV		4 PLACES ± --- ± --- 3 PLACES ± --- ± --- 2 PLACES ± 0.25 ± --- 1 PLACE ± 0.25 ± ---	mm INCH ± --- ± --- ± 0.25 ± --- ± 0.25 ± ---	DRAWN BY HHE	DATE 2007/05/12	TITLE 1.0MM PITCH DISPLAY PORT REVERSE TYPE R/A RECEPTACLE-LEAD FREE-				
			ANGULAR ± 2 °	DRAFT WHERE APPLICABLE MUST REMAIN WITHIN DIMENSIONS	CHECKED BY HWWANG	DATE 2007/05/12	MOLEX INCORPORATED				
					APPROVED BY JNCHEN	DATE 2007/05/12	MATERIAL NO. SEE CHART	DOCUMENT NO. SD-105019-001	SHEET NO. 2 OF 2		

9 8 7 6 5 4 3 2 1