

**PLEASE CHECK WWW.MOLEX.COM FOR LATEST PART INFORMATION**

**Part Number:** [1050206001](#)  
**Status:** **Active**  
**Overview:** [displayport](#)  
**Description:** 0.50mm (.020") Pitch DisplayPort\* Male Receptacle, Right Angle, Through Hole, DIP Type, 0.76µm (30µ") Gold (Au) Plating, Soldertail Length 1.80mm (.071"), 20 Circuits, Leadfree

**Documents:**

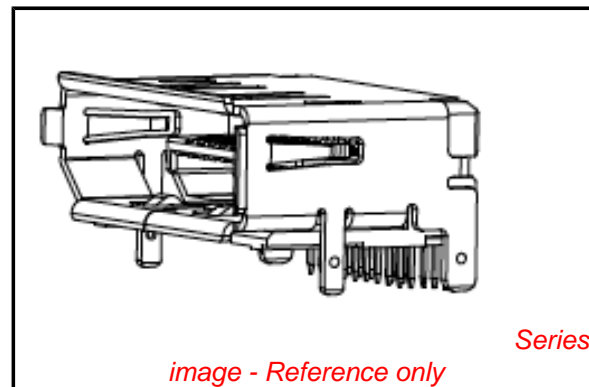
[3D Model](#) [Product Specification PS-47272-001 \(PDF\)](#)  
[Drawing \(PDF\)](#) [RoHS Certificate of Compliance \(PDF\)](#)

**General**

|                |                               |
|----------------|-------------------------------|
| Product Family | I/O Connectors                |
| Series         | <a href="#">105020</a>        |
| Application    | Wire-to-Board                 |
| Comments       | Without Flange. Without Cover |
| Component Type | Receptacle                    |
| Overview       | <a href="#">displayport</a>   |
| Product Name   | DisplayPort*                  |
| Type           | N/A                           |

**Physical**

|                                |                                |
|--------------------------------|--------------------------------|
| Boot Color                     | N/A                            |
| Circuits (Loaded)              | 20                             |
| Circuits (maximum)             | 20                             |
| Color - Resin                  | Black                          |
| Gender                         | Male                           |
| Keying to Mating Part          | Yes                            |
| Lock to Mating Part            | Yes                            |
| Material - Metal               | Copper Alloy                   |
| Material - Plating Mating      | Gold                           |
| Material - Plating Termination | Tin-Bismuth                    |
| Material - Resin               | High Temperature Thermoplastic |
| Number of Rows                 | 2                              |
| Orientation                    | Right Angle                    |
| PCB Locator                    | No                             |
| PCB Retention                  | Yes                            |
| PCB Thickness Recommended (in) | 0.055 In                       |
| PCB Thickness Recommended (mm) | 1.40 mm                        |
| Packaging Type                 | Embossed Tape on Reel          |
| Panel Mount                    | Without Flange                 |
| Pitch - Mating Interface (in)  | 0.039 In                       |
| Pitch - Mating Interface (mm)  | 0.50 mm                        |
| Pitch - Term. Interface (in)   | 0.039 In                       |
| Pitch - Term. Interface (mm)   | 0.50 mm                        |
| Plating min: Mating (µin)      | 30                             |
| Plating min: Mating (µm)       | 0.76                           |
| Plating min: Termination (µin) | 40                             |
| Plating min: Termination (µm)  | 1                              |
| Polarized to Mating Part       | Yes                            |
| Polarized to PCB               | Yes                            |
| Ports                          | 1                              |
| Temperature Range - Operating  | -20°C to +85°C                 |
| Termination Interface: Style   | Through Hole                   |
| Waterproof / Dustproof         | No                             |



**EU RoHS**

**ELV and RoHS  
Compliant**  
**REACH SVHC  
Contains SVHC: No**  
**Halogen-Free  
Status**

**China RoHS**



**Need more information on product  
environmental compliance?**

Email [productcompliance@molex.com](mailto:productcompliance@molex.com)  
 For a multiple part number RoHS Certificate of Compliance, [click here](#)

Please visit the [Contact Us](#) section for any non-product compliance questions.

**Search Parts in this Series**  
[105020Series](#)

**Electrical**

|                               |        |
|-------------------------------|--------|
| Current - Maximum per Contact | 0.5A   |
| Grounding to Panel            | Yes    |
| Shielded                      | Yes    |
| Voltage - Maximum             | 40V AC |

**Solder Process Data**

|  |                           |
|--|---------------------------|
| Duration at Max. Process Temperature (seconds) | 3                         |
| Lead-free Process Capability                   | Reflow Capable (SMT only) |
| Max. Cycles at Max. Process Temperature        | 1                         |
| Process Temperature max. C                     | 250                       |

**Material Info****Reference - Drawing Numbers**

|                       |               |
|-----------------------|---------------|
| Product Specification | PS-47272-001  |
| Sales Drawing         | SD-105020-003 |

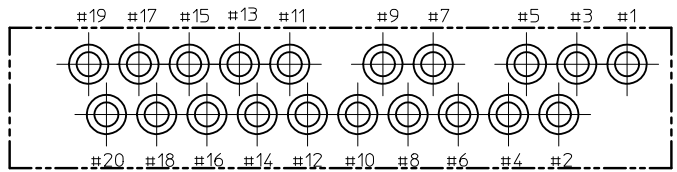
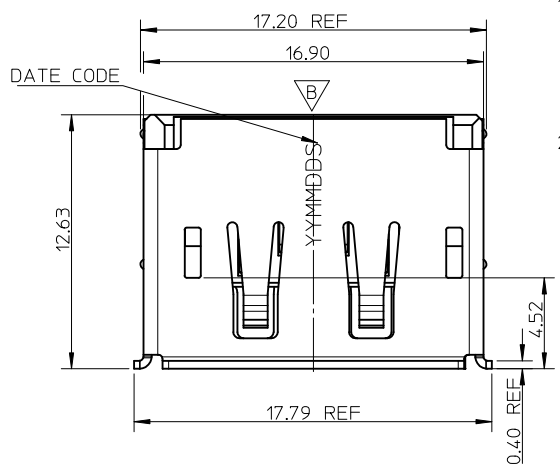
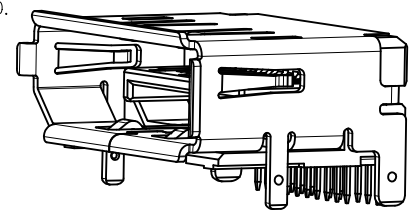
\* DisplayPort is a Trademark of VESA

This document was generated on 05/26/2010

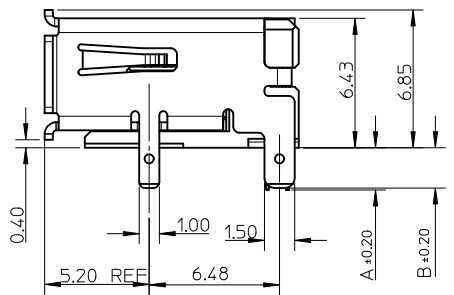
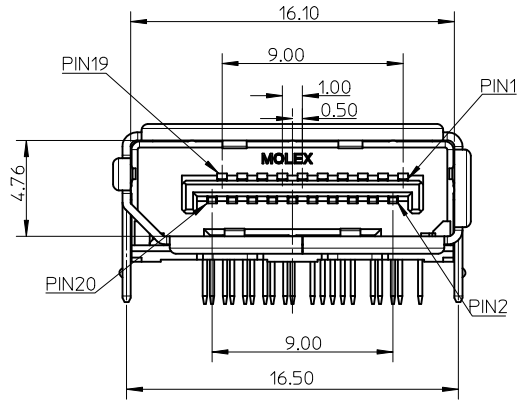
**PLEASE CHECK [WWW.MOLEX.COM](http://WWW.MOLEX.COM) FOR LATEST PART INFORMATION**

NOTES:

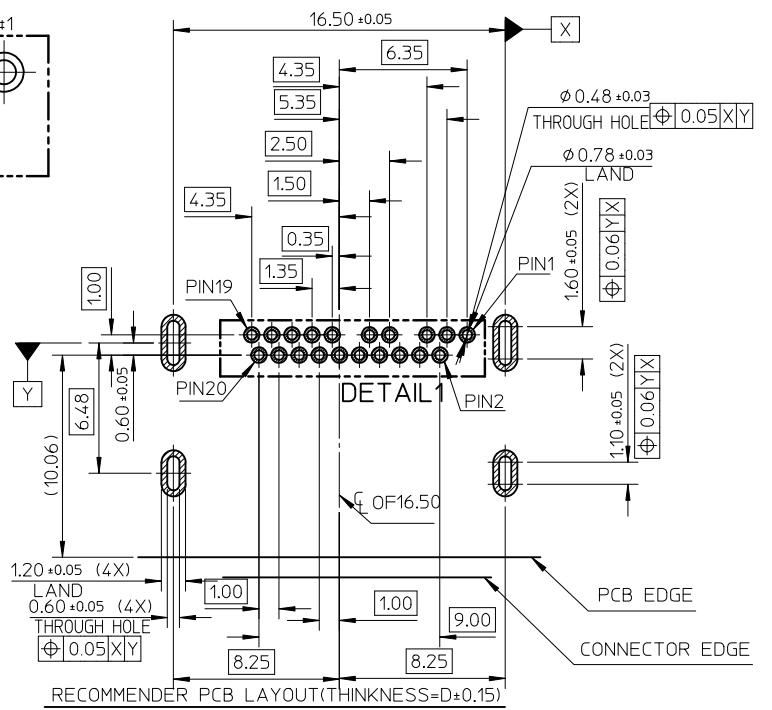
1. MATERIAL,  
 HOUSING:HIGH TEMPERATURE THERMAL PLASTIC BLACK 30% GLASS FILLED,UL94V-0.  
 GUIDE:HIGH TEMPERATURE THERMAL PLASTIC BLACK 30% GLASS FILLED,UL94V-0.  
 TERMINAL: COPPER ALLOY  
 SHELL: COPPER ALLOY
- 2.PLATING:  
 TERMINAL:CONTACT AREA (10.76MICROMETER GOLD PLATING  
 (2) GOLD FLASH PLATING  
 AND SOLDER TAIL 1~3MICROMETER TIN BISMUTH  
 UNDER PLATING 1~3 MICROMETER NICKEL PLATING OVERALL  
 SHELL:1.27~2.54 MICROMETER SOLDERABLE NICKEL PLATING OVERALL
3. PRODUCT COMPLANT TO ROHS DIERTIVE 2002/95/EC AND ELV DIRECTIVE 2000/53/EC
4. THIS SYMBOL ARE AS DIFFERENT PART NUMBER MARK



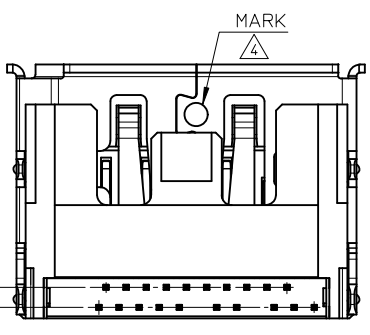
DETAIL1



| P/N         | DATA(mm) | A   | B   | D   | PLATING   |
|-------------|----------|-----|-----|-----|-----------|
| 105020-6001 |          | 1.8 | 1.7 | 1.4 | NOTES2(1) |
| 105020-6002 |          | 1.6 | 1.5 | 1.2 |           |
| 105020-6003 |          | 1.8 | 1.7 | 1.4 | NOTES2(2) |
| 105020-6004 |          | 1.6 | 1.5 | 1.2 |           |



TOP VIEW



|  |   |  |  |   |  |
|--|---|--|--|---|--|
| REVISED<br>EC NO: SH2010-0424<br>DRW: HHE<br>CHKD: FYANG05<br>APPR: RZTANG<br>2010/05/12<br>2010/05/17<br>2010/06/14 | QUALITY SYMBOLS<br>▽=0<br>◻=0   | GENERAL TOLERANCES (UNLESS SPECIFIED)<br>mm INCH<br>4 PLACES ± --- ± ---<br>3 PLACES ± --- ± ---<br>2 PLACES ± 0.25 ± ---<br>1 PLACE ± 0.25 ± ---<br>ANGULAR ± 2 ° | DIMENSION STYLE<br>MM ONLY<br>DRAWN BY: HHE<br>CHECKED BY: RZHANG<br>APPROVED BY: HWWANG<br>DATE: 2009-01-19<br>DATE: 2009-01-19<br>DATE: 2009-01-19 | SCALE<br>4:1<br>TITLE<br>1.0MM PITCH DIP TYPE DISPLAY PORT HEADER -LEAD FREE- | DESIGN UNITS<br>METRIC<br>THIRD ANGLE PROJECTION |
|  | DRAFT WHERE APPLICABLE MUST REMAIN WITHIN DIMENSIONS  | MATERIAL NO.<br>SEE CHART  | MOLEX INCORPORATED<br>DOCUMENT NO.<br>SD-105020-003  | SHEET NO.<br>1 OF 1   |  |
|  | THIS DRAWING CONTAINS INFORMATION THAT IS PROPRIETARY TO MOLEX INCORPORATED AND SHOULD NOT BE USED WITHOUT WRITTEN PERMISSION |  |  |   |  |
|  | SIZE A3   |  |  |   |  |