

KEYSTONE PTFE Insulated Terminals & Pins

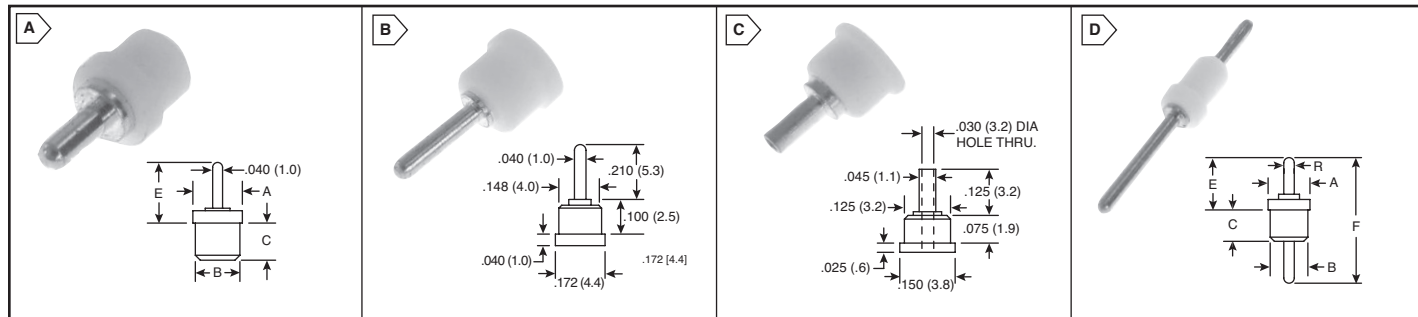


RoHS Compliant This product is RoHS compliant.

Features:

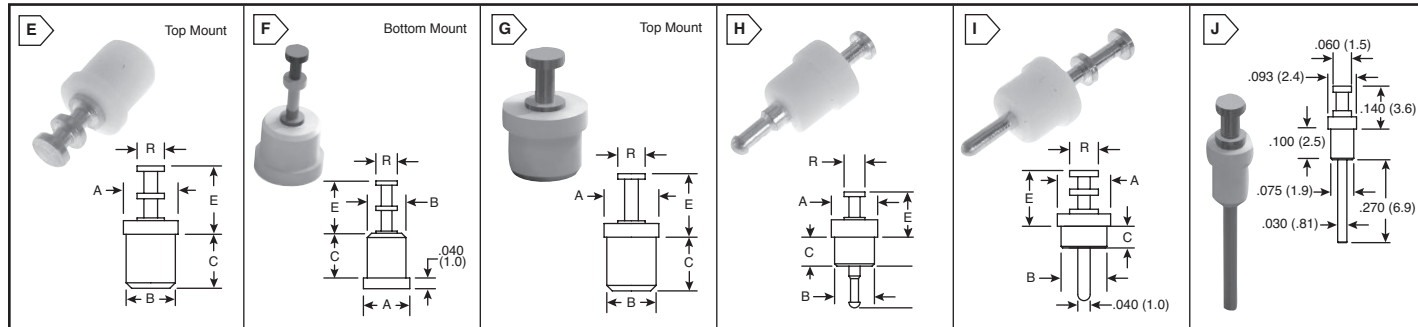
- Outstanding Electrical, Mechanical, Thermal and Chemical properties.
- Provides greater pull-out strength and high torque resistance
- Ideal for high quality terminal and connector applications
- Custom PTFE jacks manufactured to your specifications
- Other platings and bushing colors available upon request
- Space saving design for high density packaging

Bushing: White PTFE RoHS
Terminal: Brass, Tin Plate



PINS For quantities greater than listed, call for quote.

| MOUSER STOCK NO. | Keystone Part No. | Fig. | Dimensions: in. (mm) | | | | | | | Price Each | | | | | | |
|----------------------------------|-------------------|------|----------------------|------------|------------|-------------|-------------|------------|----------------|------------|-----|-----|------|--|--|--|
| | | | A | B | C | E | F | R | Mtg. Hole Dia. | 1 | 100 | 500 | 1000 | | | |
| Top Mount | | | | | | | | | | | | | | | | |
| 534-11065 | 11065 | A | .125 (3.2) | .104 (2.6) | .089 (2.3) | .161 (4.1) | -- | -- | .091 (2.3) | | | | | | | |
| 534-11066 | 11066 | A | .125 (3.2) | .093 (2.4) | .100 (2.5) | .925 (23.5) | -- | -- | .086 (2.2) | | | | | | | |
| 534-11067 | 11067 | A | .172 (4.4) | .148 (3.8) | .100 (2.5) | .150 (3.8) | -- | -- | .136 (3.5) | | | | | | | |
| 534-11068 | 11068 | A | .172 (4.4) | .148 (3.8) | .075 (1.9) | .185 (4.7) | -- | -- | .136 (3.5) | | | | | | | |
| 534-11069 | 11069 | A | .172 (4.4) | .148 (3.8) | .050 (1.3) | .260 (6.6) | -- | -- | .136 (3.5) | | | | | | | |
| 534-11070 | 11070 | A | .172 (4.4) | .148 (3.8) | .075 (1.9) | .260 (6.6) | -- | -- | .136 (3.5) | | | | | | | |
| 534-11071 | 11071 | A | .172 (4.4) | .148 (3.8) | .100 (2.5) | .250 (6.4) | -- | -- | .136 (3.5) | | | | | | | |
| 534-11072 | 11072 | A | .172 (4.4) | .148 (3.8) | .160 (4.1) | .250 (6.4) | -- | -- | .136 (3.5) | | | | | | | |
| 534-11073 | 11073 | A | .172 (4.4) | .148 (3.8) | .100 (2.5) | .490 (12.4) | -- | -- | .136 (3.5) | | | | | | | |
| 534-11074 | 11074 | A | .172 (4.4) | .148 (3.8) | .100 (2.5) | .585 (14.9) | -- | -- | .136 (3.5) | | | | | | | |
| Pin - Bottom Mount | | | | | | | | | | | | | | | | |
| 534-11075 | 11075 | B | .148 (4.0) | .172 (4.4) | .100 (2.5) | .210 (5.3) | -- | -- | .136 (3.5) | | | | | | | |
| Hollow Pin - Bottom Mount | | | | | | | | | | | | | | | | |
| 534-11076 | 11076 | C | .125 (3.2) | .150 (3.8) | .075 (1.9) | .125 (3.2) | -- | -- | .113 (2.9) | | | | | | | |
| Pin-To-Pin Feed-Thru | | | | | | | | | | | | | | | | |
| 534-11150 | 11150 | D | .093 (2.4) | .075 (1.9) | .100 (2.5) | .315 (8.0) | .550 (13.9) | .030 (7.6) | .069 (1.8) | | | | | | | |
| 534-11151 | 11151 | D | .125 (3.2) | .093 (2.4) | .100 (2.5) | .196 (5.0) | .453 (11.5) | .040 (1.0) | .086 (2.2) | | | | | | | |
| 534-11152 | 11152 | D | .125 (3.2) | .093 (2.4) | .100 (2.5) | .250 (6.4) | .515 (13.1) | .040 (1.0) | .086 (2.2) | | | | | | | |
| 534-11153 | 11153 | D | .125 (3.2) | .093 (2.4) | .100 (2.5) | .250 (6.4) | .443 (11.3) | .040 (1.0) | .086 (2.2) | | | | | | | |
| 534-11154 | 11154 | D | .150 (3.8) | .125 (3.2) | .100 (2.5) | .250 (6.4) | .443 (11.3) | .040 (1.0) | .113 (2.9) | | | | | | | |
| 534-11155 | 11155 | D | .172 (4.4) | .148 (3.8) | .100 (2.5) | .250 (6.4) | .515 (13.1) | .040 (1.0) | .136 (3.5) | | | | | | | |
| 534-11156 | 11156 | D | .172 (4.4) | .148 (3.8) | .110 (2.8) | .260 (6.6) | .535 (13.6) | .040 (1.0) | .136 (3.5) | | | | | | | |
| 534-11157 | 11157 | D | .172 (4.4) | .148 (3.8) | .250 (6.4) | .303 (7.7) | .719 (18.3) | .040 (1.0) | .136 (3.5) | | | | | | | |
| 534-11158 | 11158 | D | .172 (4.4) | .148 (3.8) | .160 (4.1) | .250 (6.4) | .725 (18.4) | .040 (1.0) | .136 (3.5) | | | | | | | |
| 534-11159 | 11159 | D | .172 (4.4) | .148 (3.8) | .170 (4.3) | .250 (6.4) | .630 (16.0) | .040 (1.0) | .136 (3.5) | | | | | | | |
| 534-11160 | 11160 | D | .172 (4.4) | .148 (3.8) | .170 (4.3) | .250 (6.4) | .630 (16.0) | .040 (1.0) | .136 (3.5) | | | | | | | |



SOLDER TERMINALS

*Hollow turret For quantities greater than listed, call for quote.

| MOUSER STOCK NO. | Keystone Part No. | Fig. | Dimensions: in. (mm) | | | | | Price Each | | | | |
|-----------------------------------|-------------------|------|----------------------|-------------|------------|-------------|------------|----------------|---|-----|-----|------|
| | | | A | B | C | E | R | Mtg. Hole Dia. | 1 | 100 | 500 | 1000 |
| Turret | | | | | | | | | | | | |
| 534-11300 | 11300 | E | .125 (3.2) | .039 (2.40) | .100 (2.5) | .210 (5.3) | .060 (1.5) | .086 (2.2) | | | | |
| 534-11301 | 11301 | E | .125 (3.2) | .093 (2.4) | .080 (2.0) | .250 (6.4) | .080 (2.0) | .086 (2.2) | | | | |
| 534-11302 | 11302 | E | .125 (3.2) | .093 (2.4) | .100 (2.5) | .250 (6.4) | .080 (2.0) | .086 (2.2) | | | | |
| 534-11303 | 11303 | E | .172 (4.4) | .148 (3.8) | .140 (3.6) | .194 (4.9) | .093 (2.4) | .136 (3.5) | | | | |
| 534-11304 | 11304 | E | .172 (4.4) | .148 (3.8) | .110 (2.8) | .250 (6.4) | .080 (2.0) | .136 (3.5) | | | | |
| 534-11305 | 11305 | E | .172 (4.4) | .148 (3.8) | .125 (3.2) | .303 (7.7) | .080 (2.0) | .136 (3.5) | | | | |
| 534-11306 | 11306 | E | .172 (4.4) | .148 (3.8) | .165 (4.2) | .290 (7.4) | .093 (2.4) | .136 (3.5) | | | | |
| 534-11307 | 11307 | E | .172 (4.4) | .148 (3.8) | .250 (6.4) | .290 (7.4) | .093 (2.4) | .136 (3.5) | | | | |
| 534-11308 | 11308 | E | .172 (4.4) | .148 (3.8) | .165 (4.2) | .437 (11.1) | .093 (2.4) | .136 (3.5) | | | | |
| 534-11310 | 11310 | F | .125 (3.2) | .093 (2.4) | .100 (2.5) | .170 (4.3) | .060 (1.5) | .086 (2.2) | | | | |
| 534-11311 | 11311 | F | .172 (4.4) | .148 (3.8) | .100 (2.5) | .210 (5.3) | .080 (2.0) | .136 (3.5) | | | | |
| 534-11312 | 11312 | F | .187 (4.8) | .171 (4.3) | .155 (3.9) | .210 (5.3) | .080 (2.0) | .158 (4.0) | | | | |
| 534-11320 | 11320 | G | .172 (4.4) | .148 (3.8) | .100 (2.5) | .150 (3.8) | .080 (2.0) | .136 (3.5) | | | | |
| 534-11321 | 11321 | G | .187 (4.8) | .165 (4.2) | .150 (3.8) | .370 (9.4) | .090 (2.3) | .152 (3.9) | | | | |
| * 534-11322 | 11322 | G | .150 (3.8) | .125 (3.2) | .110 (2.8) | .180 (4.6) | .090 (2.3) | .113 (2.9) | | | | |
| Turret-To-Turret Feed-thru | | | | | | | | | | | | |
| 534-11250 | 11250 | H | .312 (7.9) | .171 (4.3) | .171 (4.3) | .196 (5.0) | .093 (2.4) | .158 (4.0) | | | | |
| 534-11251 | 11251 | H | .200 (5.1) | .172 (4.4) | .125 (3.2) | .195 (5.0) | .090 (2.3) | .158 (4.0) | | | | |
| Turret-To-Pin Feed-thru | | | | | | | | | | | | |
| 534-11216 | 11216 | I | .172 (4.4) | .148 (3.8) | .100 (2.5) | .250 (6.4) | .080 (2.0) | .136 (3.5) | | | | |
| 534-11217 | 11217 | I | .172 (4.4) | .148 (3.8) | .230 (5.8) | .375 (9.5) | .093 (2.4) | .066 (1.7) | | | | |
| 534-11218 | 11218 | J | .093 (2.4) | .075 (1.9) | .100 (2.5) | .140 (3.6) | .060 (1.5) | .066 (1.7) | | | | |