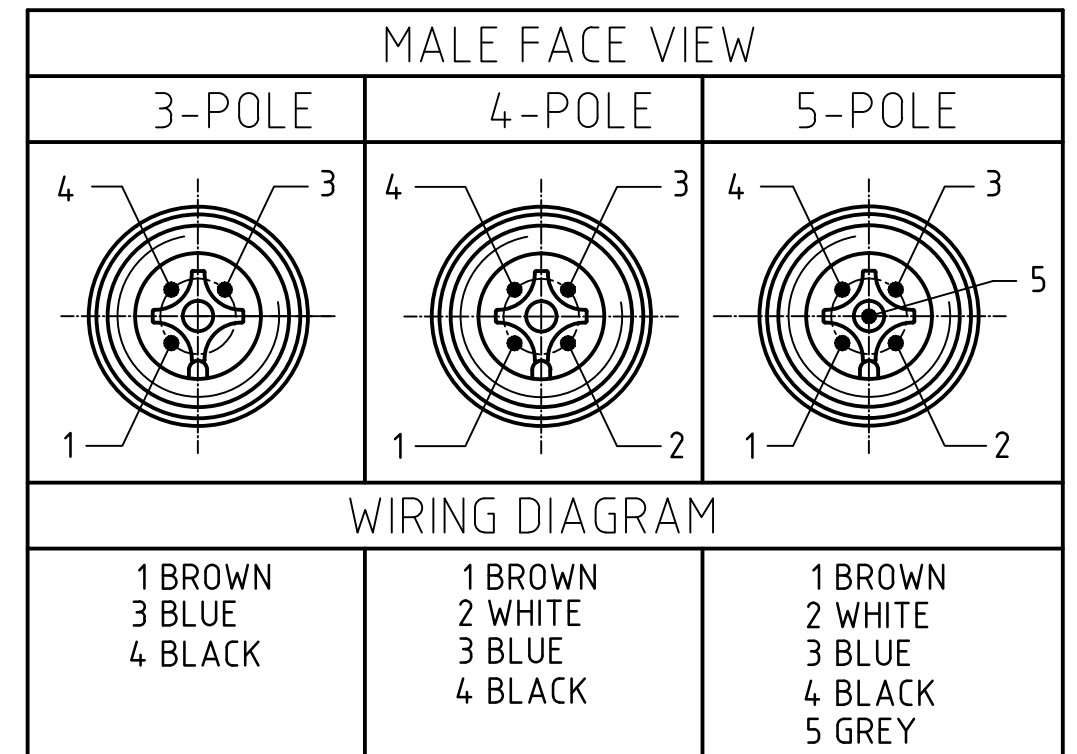


CONNECTOR SPECIFICATION:

VOLTAGE RATING	250 VAC/VDC
AMPERAGE RATING	max. 4 AMPS
PROTECTION	IP67
OPERATING TEMPERATURE	-20°C TO 105°C
UL CERTIFICATIONS	UL RECOGNIZED, FILE NO. E152210
CSA CERTIFICATIONS	CSA CERTIFIED, FILE NO. LR6837

ITEM	COMPONENT	MATERIAL	FINISH
6	LABLE	MYLAR	BLACK/YELLOW
5	COUPLER	BRASS	NICKEL PLATED
4	PIN CONTACT	COPPER ALLOY	GOLD OVER NICKEL
3	INSERT	NYLON	BLACK
2	OVERMOLD	TPE	YELLOW
1	CABLE- 22/3-5 (COPPER STRANDING) 3/4/5 CONDUCT. 300V	INSUL: PVC JACKET: TPE	YELLOW



PRE-RELEASE  
REFERENCE  
USE ONLY

ADD P/N 1200651363 EC NO: WEU2011-0333 DRWN: L'HARTMAN CHKD: TWOLDEGE APPR: J.MURPHY 2010/01/25	QUALITY SYMBOLS = 0 = 0	GENERAL TOLERANCES (UNLESS SPECIFIED)		DIMENSION STYLE IN/MM		SCALE 2:1	DESIGN UNITS METRIC	THIRD ANGLE PROJECTION	
		mm	INCH	DRAWN BY LSTEMMLE	DATE 2010/01/18	MICRO-CHANGE CORDSET 3/4/5-P MALE STR SE 22/3-5 TPE YELLOW CABLE			
4 PLACES ±---	±---	RE	2010/01/21	MOLEX INCORPORATED					
3 PLACES ±---	±---	APPROVED BY NSTAUDIG	2010/01/25					DOCUMENT NO. SD-120065-036	SHEET NO. 1 OF 1
2 PLACES ±---	±.01	DRAFT WHERE APPLICABLE MUST REMAIN WITHIN DIMENSIONS		SEE TABLE SHEET 2		THIS DRAWING CONTAINS INFORMATION THAT IS PROPRIETARY TO MOLEX INCORPORATED AND SHOULD NOT BE USED WITHOUT WRITTEN PERMISSION			
1 PLACE ±0.3	±---	SIZE A3							

POL	MATERIAL NUMBER	ENGINEERING NUMBER	FINISHED LENGTH
3	1200651114	803006K05M020	6.56' +3.5" -0 [2.0M +89 -0]

POL	MATERIAL NUMBER	ENGINEERING NUMBER	FINISHED LENGTH
4	1200651128	804006K05M006	1.97' +1.75" -0 [0.6M +44.5 -0]
4	1200651129	804006K05M020	6.56' +3.5" -0 [2.0M +89 -0]
4	1200651363	804006K05M030	9.84' +3.5" -0 [3.0M +89 -0]
4	1200651130	804006K05M040	13.12' +6.5" -0 [4.0M +165 -0]
4	1200651131	804006K05M050	16.40' +6.5" -0 [5.0M +165 -0]
4	1200651132	804006K05M060	19.69' +6.5" -0 [6.0M +165 -0]
4	1200651133	804006K05M100	32.81' +12.5" -0 [10.0M +318 -0]

PRE-RELEASE  
REFERENCE  
USE ONLY

SEE SHEET 1 EC NO: WEU2011-0333 DRWN: LHARTMAN CHKD: TWOLDEGE APPR: JFMURPHY 1/5/11 2010/01/25 REV	QUALITY SYMBOLS = 0 = 0	GENERAL TOLERANCES (UNLESS SPECIFIED) <table border="1"> <thead> <tr> <th></th> <th>mm</th> <th>INCH</th> </tr> </thead> <tbody> <tr> <td>4 PLACES</td> <td>±---</td> <td>±---</td> </tr> <tr> <td>3 PLACES</td> <td>±---</td> <td>±---</td> </tr> <tr> <td>2 PLACES</td> <td>±---</td> <td>±.01</td> </tr> <tr> <td>1 PLACE</td> <td>±0.3</td> <td>±---</td> </tr> <tr> <td colspan="3">ANGULAR ± --- °</td> </tr> </tbody> </table>		mm	INCH	4 PLACES	±---	±---	3 PLACES	±---	±---	2 PLACES	±---	±.01	1 PLACE	±0.3	±---	ANGULAR ± --- °			DIMENSION STYLE IN/MM DRAWN BY DATE LSTEMMLE 2010/01/18 CHECKED BY DATE RE 2010/01/21 APPROVED BY DATE NSTAUDIG 2010/01/25 MATERIAL NO.	SCALE 2:1 DESIGN UNITS METRIC THIRD ANGLE PROJECTION	MICRO-CHANGE CORDSET 3/4/5-P MALE STR SE 22/3-5 TPE YELLOW CABLE	MOLEX INCORPORATED DOCUMENT NO. SD-120065-036 SHEET NO. 1 OF 1
		mm	INCH																					
4 PLACES	±---	±---																						
3 PLACES	±---	±---																						
2 PLACES	±---	±.01																						
1 PLACE	±0.3	±---																						
ANGULAR ± --- °																								
DRAFT WHERE APPLICABLE MUST REMAIN WITHIN DIMENSIONS	SEE TABLE	THIS DRAWING CONTAINS INFORMATION THAT IS PROPRIETARY TO MOLEX INCORPORATED AND SHOULD NOT BE USED WITHOUT WRITTEN PERMISSION																						