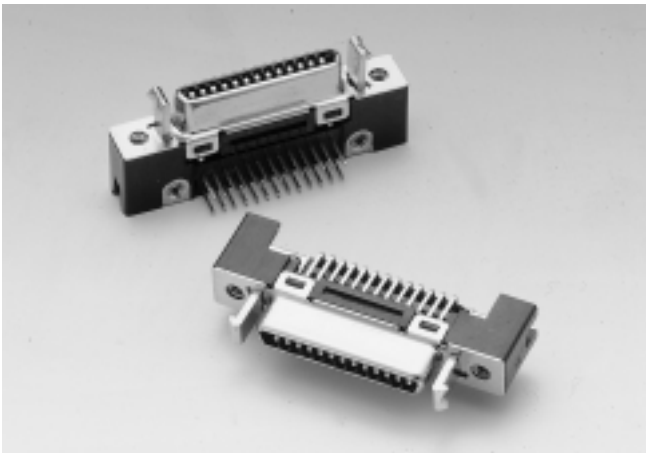


HALF PITCH ULTRA THIN D-SUB RIGHT ANGLE P.C.B. MOUNT

(FEMALE TYPE)

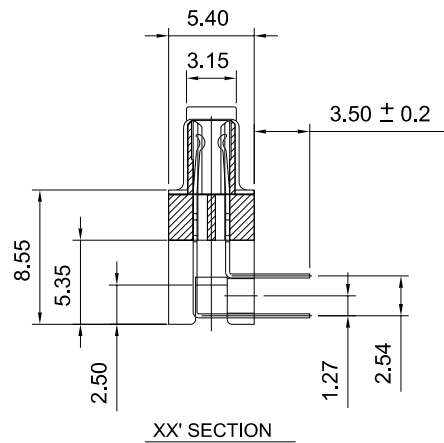
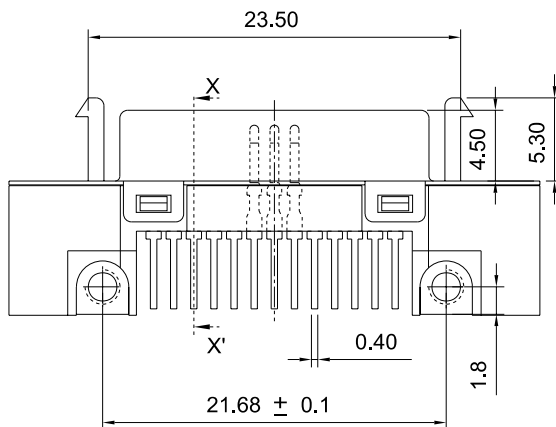
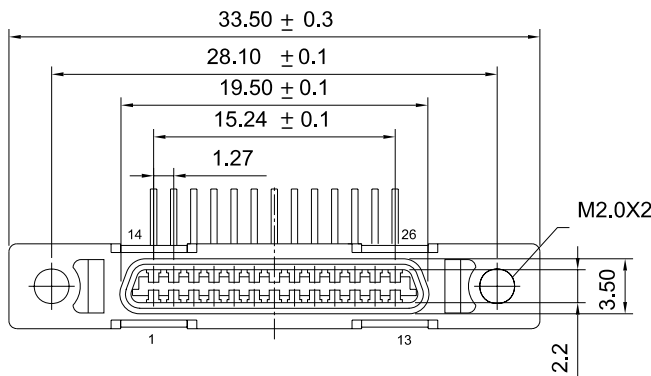


127115FE Series

Mates with SUYIN 127116, 127120 Series

Specifications:

- 26 Circuits
- Insulator Material : Black High Temp. Plastic
- Die Cast Locking : Nickel Plated Zinc-Alloy Die Cast
- Operating Temp. Range : -40°C to +230°C
- Terminal Material : Phosphor Bronze
- Plating : Selective Plated (Gold/Tin)
: Metal shell-Nickel Plated
- Max. Current Rating : 0.5A
- Voltage Rating : 150V AC
- Dielectric Strength : 500V (Min. 60 Seconds)



I/O

Order Information

127115FE026S500ZU
1 2 3 4 5

1. 'E' : Edge Mount
2. No. of Pins
3. Plating
'S5' : 30u" selctive gold in contact area
/min. 100u"tin solder area
4. Color 'Z' : Black
5. Package
'U' : Tube Package Without Cap

Reference Page 11

Recommended P.C.B Layout

