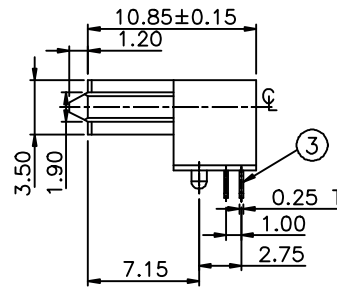
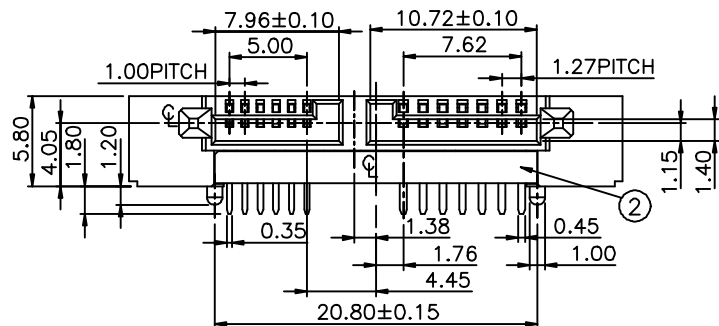
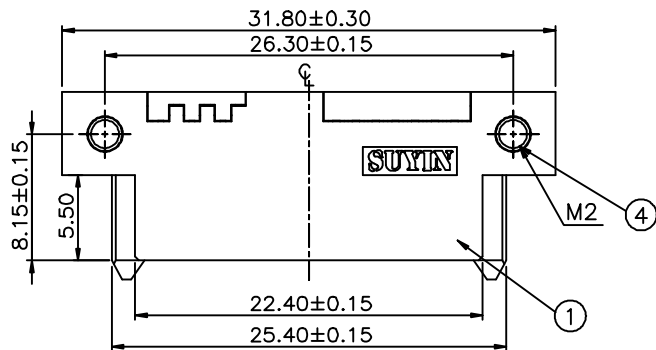
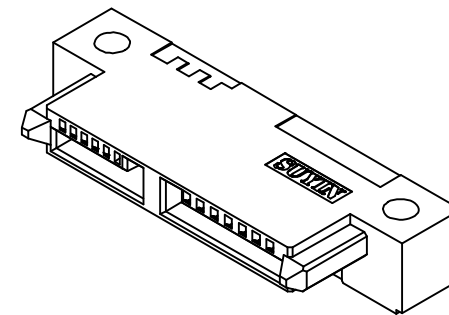




**RoHS Compliant**  
2002/95/EC  
**HSF**

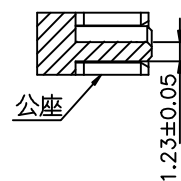
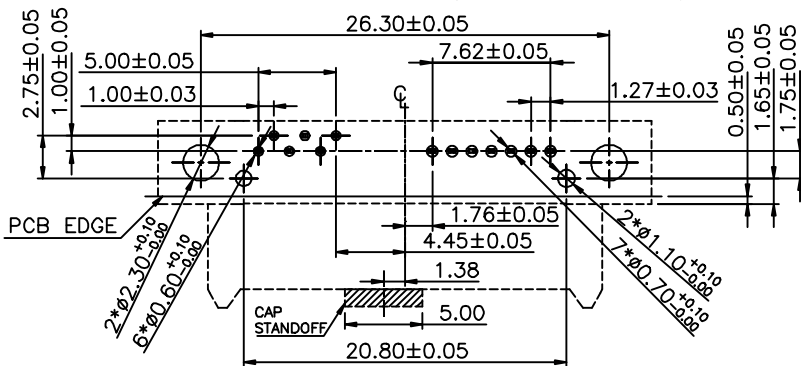
Level-1 Controlled Substances are banned



NOTE:  
127382FR013XX03ZR  
1

- 1.SELECTIVE PLATING  
 G1-05u" MIN. GOLD OVER NICKEL  
 G2-GOLD FLASH OVER NICKEL  
 G3-10u" MIN. GOLD OVER NICKEL  
 G4-15u" MIN. GOLD OVER NICKEL  
 G5-30u" MIN. GOLD OVER NICKEL  
 G6-50u" MIN. GOLD OVER NICKEL  
 S1-05u" MIN.GOLD IN CONTACT AREA/  
 100u" MIN.TIN IN SOLDER AREA  
 S2-GOLD FLASH CONTACT AREA/  
 100u" MIN.TIN IN SOLDER AREA  
 S3-10u" MIN.GOLD IN CONTACT AREA/  
 100u" MIN.TIN IN SOLDER AREA  
 S4-15u" MIN.GOLD IN CONTACT AREA/  
 100u" MIN.TIN IN SOLDER AREA  
 S5-30u" MIN.GOLD IN CONTACT AREA/  
 100u" MIN.TIN IN SOLDER AREA  
 S6-50u" MIN.GOLD IN CONTACT AREA/  
 100u" MIN.TIN IN SOLDER AREA

RECOMMEND P.C.B LAYOUT (COMPONENT SIDE)  
P.C.B THICKNESS=1.20mm(TOLERANCE=±0.05)



NO.	DESCRIPTION	MATERIAL	COLOR	REMARK
4	NUT	COPPER AOLLY		NICKEL PLATED
3	TERMINAL	COPPER AOLLY		GOLD PLATED
2	COVER	HIGH TEMP	BLACK	UL 94V-0
1	HOUSING	HIGH TEMP	BLACK	UL 94V-0

**SUYIN**  
00000000

CUSTOMER COPY	TITLE: 1.27 mm PITCH SERIAL ATA			
PART NO.	127382FR013XX03ZR			
PRODUCT SPEC.	127382FR SERIES			
FILE NAME.	D	127382FR013XX03ZR-C		
SCALE	2:1	UNIT:mm	A4	SHEET: 1 of 2

DCBS	REV	DATE	DESCRIPTION	CHANGE	APPRO.	Angle	±2'	DRAW	DATE
0			NEW RELEASE	徐健龍 鄭家奇		30 ~	±0.50	徐健龍	08'/05/28
DCBS-080226-06	PB	08'/02/26	PB1:新增SX電線;	阮冲 鄭家奇		10 ~ 30	±0.30	徐健龍	08'/05/28
DCB-071101-08	PA	07'/11/01	PA1:修改PIN脚尺寸4.55->4.45;	徐健龍 鄭家奇		~ 10	±0.15	唐毅	08'/05/28
ECN(DCN) NO.	REV	DATE	DESCRIPTION	CHANGE	APPRO.	GENERAL TOLERANCE UNLESS OTHERWISE NOTED		APPRO.	鄭家奇 08'/05/28

Original:Draw: 徐健龍 Design: 徐健龍 Check: 唐毅 Appr: 鄭家奇 發行日期: 07'/08/17

070817-BB140