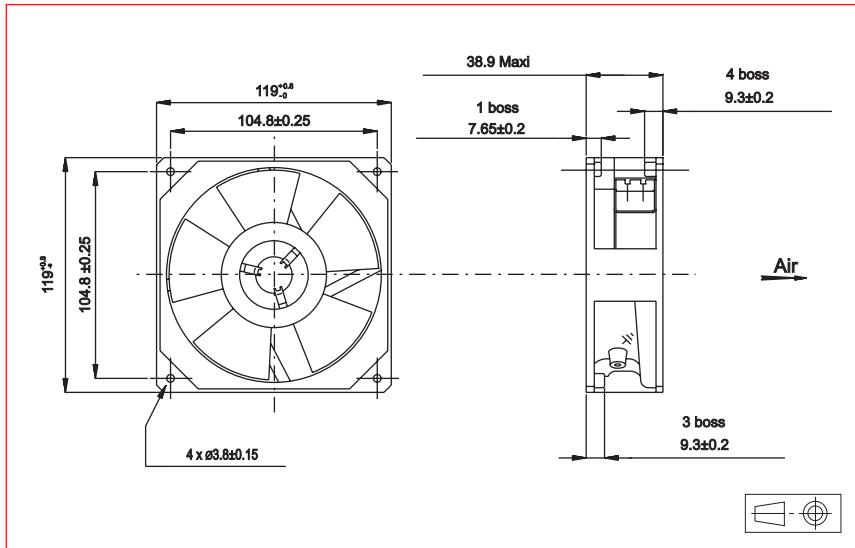


4,724" x 4,724" x 1,496" 120 x 120 x 38 mm

Series
129

ETRI

AC Axial Fans



Approvals



Life expectancy

L-10 LIFE AT 40°C:
80 000 hours

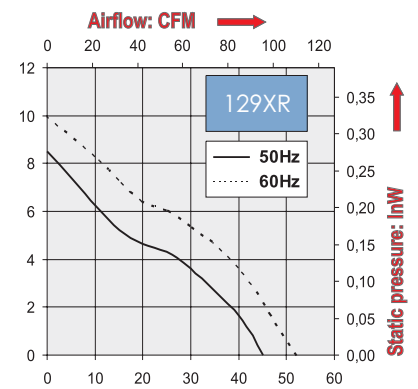
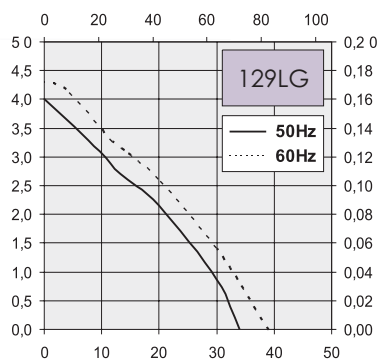
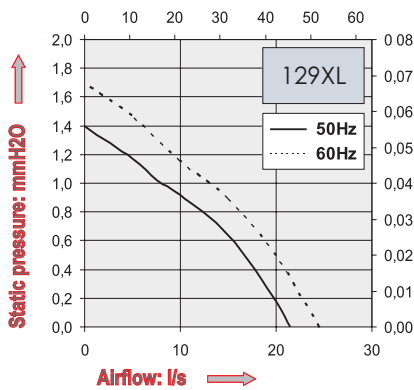
AC Motor

Electrical protection: impedance protected
Housing material: zamak
Impeller material: plastic UL 94 V0
Maximum weight: 725 g
Bearing system: ball bearings
Connection: terminals

Single phase
IP 20

Available with:

- Flying leads
- IP 54
- Speed sensor



Part Number	Nominal voltage	Airflow	Noise level	Nominal speed	Frequency	Input Power	Nominal current	Starting current	Operating temperature	
	V	l/s	dB(A)	RPM	Hz	W	mA	mA	Min. °C	Max. °C
129XL0282010	115	21,5	31,0	1350	50	12	135	145	-10	70
		24,5	33,5	1550	60	10	115	125	-10	70
129XL0281010	208-240	21,5	31,0	1350	50	12	75	90	-10	70
		24,5	33,5	1550	60	10	65	75	-10	70
129LG0282010	115	34,0	44,5	2200	50	16	200	250	-10	70
		39,0	47,5	2400	60	13	160	200	-10	70
129LG0281010	220	34,0	44,5	2200	50	18	110	140	-10	70
		39,0	47,5	2400	60	15	90	120	-10	70
129XR0282010	115	45,0	49,0	2800	50	16	200	310	-10	70
		52,0	54,0	3200	60	15	180	260	-10	70
129XR0281010	220	45,0	49,0	2800	50	18	125	170	-10	70
		52,0	54,0	3200	60	15	105	150	-10	70

Additional versions:

Other voltages
Salt spray protected - shock and vibration protected - marine specifications