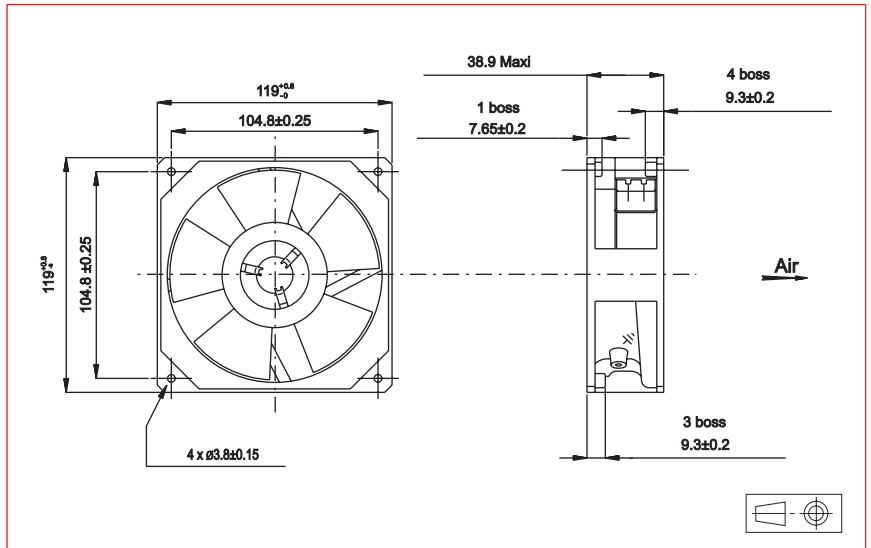


#### AC Axial Fans



#### Approvals



#### Life expectancy

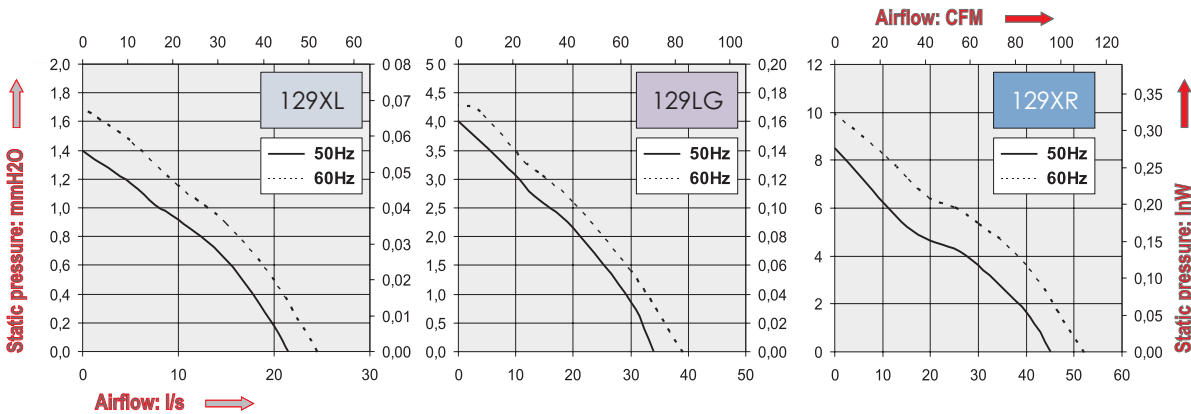
L-10 LIFE AT 40°C:  
80 000 hours

#### AC Motor

Electrical protection: impedance protected  
Housing material: zamak  
Impeller material: plastic UL 94 VO  
Weight: 725 g  
Bearing system: ball bearings

#### Available with:

- Flying leads
- Speed sensor



Part Number	Nominal voltage	Airflow	Noise level	Nominal speed	Frequency	Phases	Capacitor	Input Power	Nominal current	Starting current	Connection type		Operating temperature	
	V										l/s	dB(A)	RPM	Hz
129XL0282010	115	21,5	31	1350	50	1		12	135	145		X	-10	70
		24,5	33,5	1550	60	1		10	115	125		X	-10	70
129XL0281010	208-240	21,5	31	1350	50	1		12	75	90		X	-10	70
		24,5	33,5	1550	60	1		10	65	75		X	-10	70
129LG0282010	115	34	44,5	2200	50	1		16	200	250		X	-10	70
		39	47,5	2400	60	1		13	160	200		X	-10	70
129LG0281010	220	34	44,5	2200	50	1		18	110	140		X	-10	70
		39	47,5	2400	60	1		15	90	120		X	-10	70
129XR0282010	115	45	49	2800	50	1		16	200	310		X	-10	70
		52	54	3200	60	1		15	180	260		X	-10	70
129XR0281010	220	45	49	2800	50	1		18	125	170		X	-10	70
		52	54	3200	60	1		15	105	150		X	-10	70

#### Additional versions:

Dual voltage 115V - 230V - salt spray protected - shock and vibration protected - marine specifications - IP54: consult factory

#### Accessories:

Refer to Accessories leaflet