

PLEASE CHECK WWW.MOLEX.COM FOR LATEST PART INFORMATION

Part Number: [1300060820](#)
Status: **Active**
Overview: [minichange_products](#)
Description: Mini-Change® A-Size Single-Ended Cordset, Straight Female to Pigtail, 4 Poles, 15.0m (49.21') Length

Documents:

[Drawing \(PDF\)](#) [RoHS Certificate of Compliance \(PDF\)](#)

Agency Certification

CSA LR6837
 UL E152210

General

Product Family Industrial Cordsets
 Series [130006](#)
 Comments A-Size (7/8" - 16 UN-2B)
 Connector End A Mini-Change®
 Connector End B Pigtail
 IP Rating IP67
 NEMA Rating NEMA 6
 Overview [minichange_products](#)
 Product Name Mini-Change®
 Type Single Ended

Physical

Cable Diameter 7.14mm (.281")
 Cable Length 15.0m (49.21')
 Color - Cable Jacket Yellow
 Coupling Style Threaded
 Gender Female-Pigtail
 Keyway Single
 LED Indicator No
 Material - Cable Jacket PVC
 Material - Connector Body PVC
 Material - Contact Copper
 Material - Coupling Nut Black Epoxy Coated Zinc
 Material - Plating Mating Gold
 Orientation Straight
 Poles 4
 Temperature Range - Operating -20°C to +105°C
 Wire Size AWG 18
 Wire/Cable Type UL 2661

Electrical

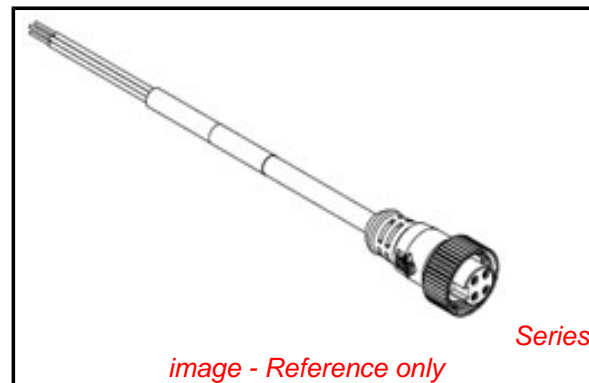
Current - Maximum per Contact 7A
 Voltage - Maximum 300V

Material Info

Old Part Number 104000A03F150

Reference - Drawing Numbers

Sales Drawing SD-130006-028



EU RoHS

ELV and RoHS Compliant
REACH SVHC
 Not Reviewed
Halogen-Free Status
 Not Reviewed

China RoHS



Need more information on product environmental compliance?

Email productcompliance@molex.com
 For a multiple part number RoHS Certificate of Compliance, [click here](#)

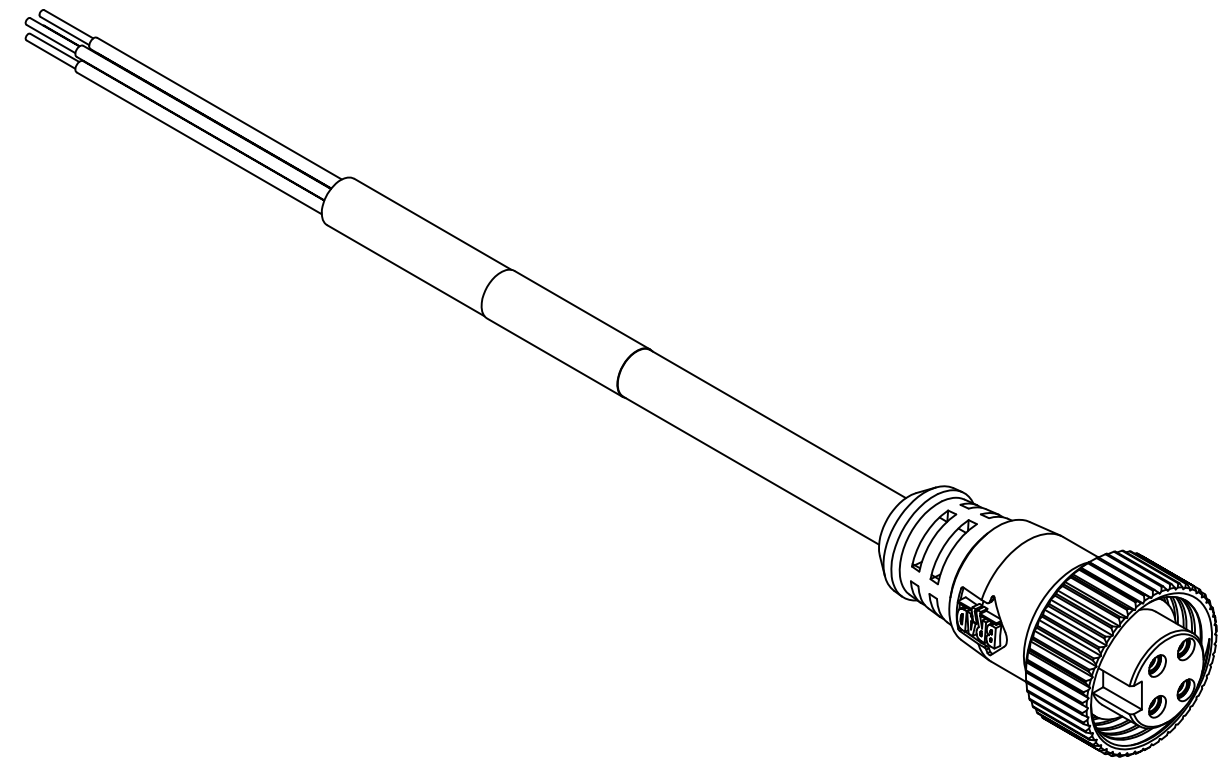
Please visit the [Contact Us](#) section for any non-product compliance questions.

Search Parts in this Series

130006Series

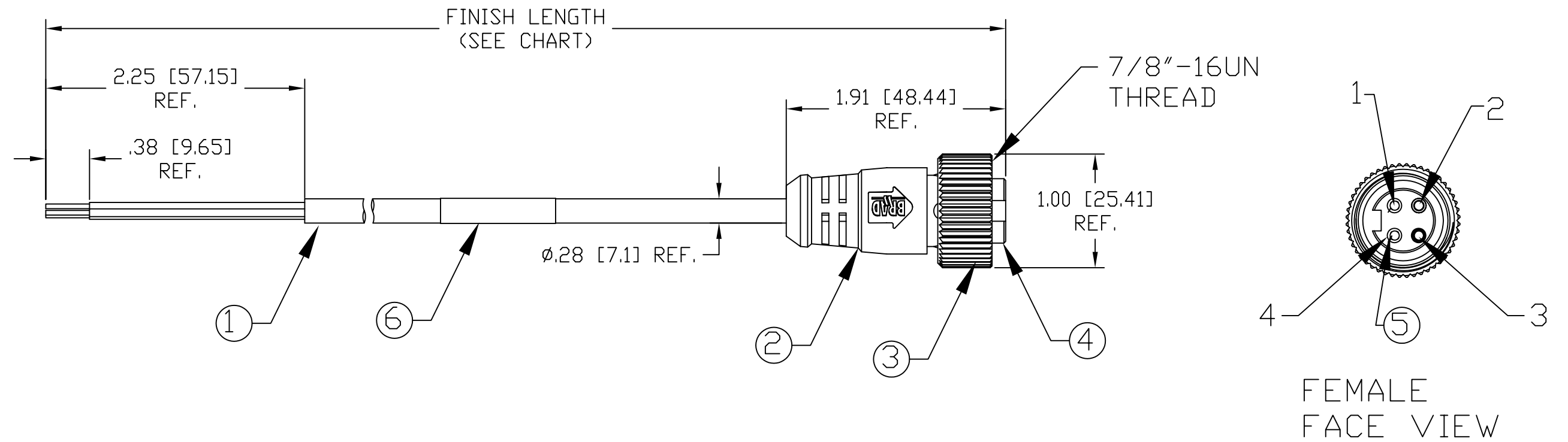
PLEASE CHECK WWW.MOLEX.COM FOR LATEST PART INFORMATION

13	12	11	10	9	8	7	6	5	4	3	2	1
PART NUMBER	ENGINEERING NUMBER	FINISH LENGTH										
1300060812	104000A03F030	3.00' +1.75" -0 [.9M +44.5 -0]										
1300060813	104000A03F060	6.00' +2.19" -0 [1.8M +55.6 -0]										
1300060816	104000A03F120	12.00' +3.50" -0 [3.7M +88.9 -0]										
1300060820	104000A03F150	15.00' +6.50" -0 [4.6M +165.1 -0]										
1300060821	104000A03F200	20.00' +6.50" -0 [6.1M +165.1 -0]										



NOTE

- 1) MATERIAL: SEE TABLE
- 2) FINISHES: SEE TABLE
- 3) WRAP LABEL IS MARKED WITH P/N, DATE CODE, VOLTAGE & AMPERAGE
- 4) MATES WITH: MINI CHANGE, 4 POLE RECEPTACLE
- 5) ELECTRICAL DATA:
 INLINE CORDSET
 FEMALE A-SIZE WITH FLYING LEADS
 18AWG UNSHIELDED
 POLES: 4
 MAX. VOLTAGE: 300V
 MAX. CURRENT 7A
 PROTECTION IP67
 TEMPERATURE RANGE: -20°C TO 105°C
- 6) PACKAGING:
 CABLE ASSEMBLIES ARE BAGGED SEPERATELY
 IN POLY BAGS WITH BAR CODE LABEL ATTACHED
 TO OUTSIDE OF BAG.
- 7) ASSEMBLY IS RoHS COMPLIANT.
- 8) CERTIFICATION
 CSA CERTIFIED, FILE NO. LR6837



P1

1	RED WITH BLACK
2	RED WITH WHITE
3	RED
4	GREEN-GND

WIRING DIAGRAM

ITEM	QTY.	DESCRIPTION	MATERIAL	FINISH
6	1	LABEL	PLASTIC FILM	BLACK/YELLOW
5	4	CONTACT SOCKET	COPPER ALLOY	GOLD PLATED
4	1	INSERT	PVC	YELLOW
3	1	COUPLING NUT	ZINC DIE CAST	BLACK E-COATED
2	1	OVERMOLD	PVC	YELLOW
1	1	CABLE, 18AWG-4	PVC	YELLOW

RELEASE EC NO: WNA2010-0397 DRWN: BWOODMAN2009/12/28 CH'KD: LHARTMAN APPR: JFMURPHY 2010/01/05	DESCRIPTION REV	QUALITY SYMBOL $\nabla = 0$ $\sphericalangle = 0$	GENERAL TOLERANCES (UNLESS SPECIFIED)		DIMENSION STYLE IN/MM		SCALE 1:1	DESIGN UNITS INCH	THIRD ANGLE PROJECTION			
		4 PLACES ±--- ±--- 3 PLACES ±--- ±.005 2 PLACES ±0.13 ±.010 1 PLACE ±0.25 ±.020		DRAWN BY DATE CHECKED BY DATE LHARTMAN 2009/12/29 APPROVED BY DATE JFMURPHY 2010/01/05		TITLE MINI CHANGE ASSEMBLY 4-POLE FEMALE ST 18/4 AWG PVC AUTO		MOLEX INCORPORATED		SHEET NO. 1 OF 1		
		ANGULAR ±1/2° DRAFT WHERE APPLICABLE MUST REMAIN WITHIN DIMENSIONS		MATERIAL NO. SEE CHART		DOCUMENT NO. SD-130006-028		THIS DRAWING CONTAINS INFORMATION THAT IS PROPRIETARY TO MOLEX INCORPORATED AND SHOULD NOT BE USED WITHOUT WRITTEN PERMISSION				
		SIZE C										