

**PLEASE CHECK WWW.MOLEX.COM FOR LATEST PART INFORMATION**

**Part Number:** [1300100315](#)  
**Status:** **Active**  
**Overview:** [minichange\\_products](#)  
**Description:** Mini-Change® A-Size Single-Ended Cordset, Straight, Male to Female, 3 Poles, 4.57m (15.0' ) Length

**Documents:**

[Drawing \(PDF\)](#) [RoHS Certificate of Compliance \(PDF\)](#)

**Agency Certification**

CSA LR6837

**General**

Product Family Industrial Cordsets  
 Series [130010](#)  
 Comments A-Size (7/8" - 16 UN-2B)  
 Connector End A Mini-Change®  
 Connector End B Mini-Change®  
 IP Rating IP67  
 NEMA Rating NEMA 6  
 Overview [minichange\\_products](#)  
 Product Name Mini-Change®  
 Type Double Ended

**Physical**

Cable Diameter 10.67mm (.420")  
 Cable Length 4.57m (15.0' )  
 Color - Cable Jacket Yellow  
 Coupling Style Threaded  
 Gender Male-Female  
 Keyway Single  
 LED Indicator No  
 Material - Cable Jacket Rubber  
 Material - Connector Body PVC  
 Material - Contact Copper  
 Material - Coupling Nut Black Epoxy Coated Zinc  
 Material - Plating Mating Gold  
 Orientation Straight  
 Poles 3  
 Temperature Range - Operating -20°C to +90°C  
 Wire Size AWG 16  
 Wire/Cable Type SOO

**Electrical**

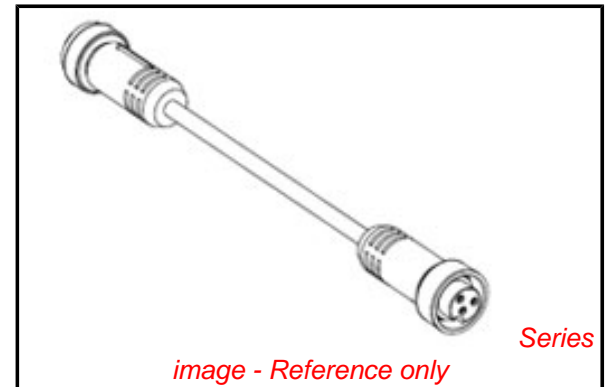
Current - Maximum per Contact 13A  
 Voltage - Maximum 600V

**Material Info**

Old Part Number 113020C01F150

**Reference - Drawing Numbers**

Sales Drawing SD-130010-010



**EU RoHS**

**RoHS Compliant by Exemption**

**REACH SVHC**

Not Reviewed

**Halogen-Free**

**Status**

**Not Reviewed**

**China RoHS**



**Need more information on product environmental compliance?**

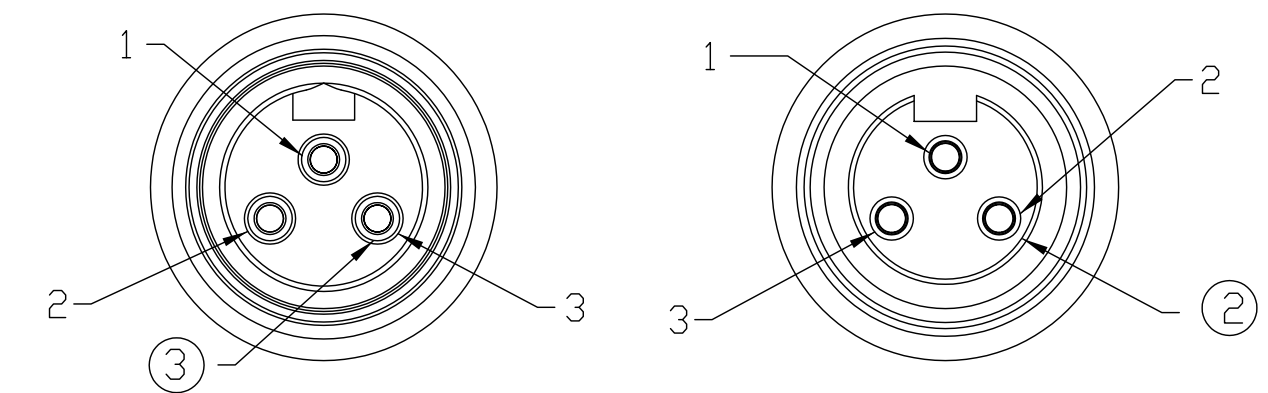
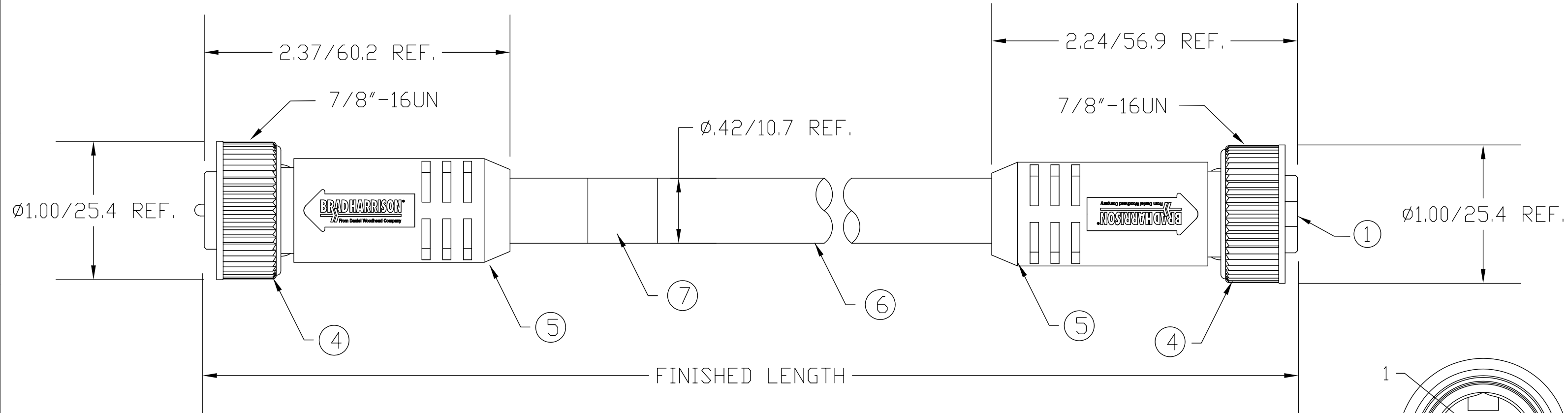
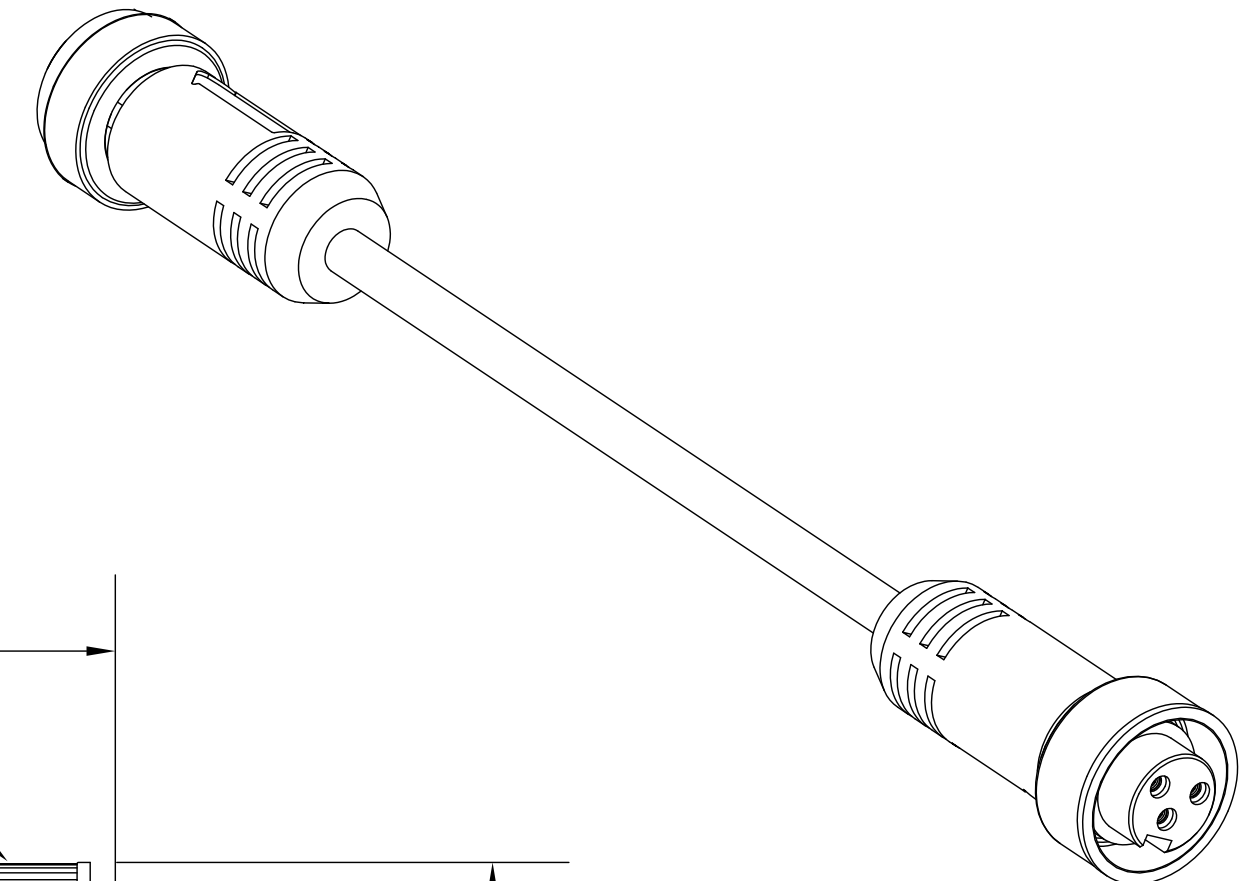
Email [productcompliance@molex.com](mailto:productcompliance@molex.com)  
 For a multiple part number RoHS Certificate of Compliance, [click here](#)

Please visit the [Contact Us](#) section for any non-product compliance questions.

**Search Parts in this Series**

[130010Series](#)

MATERIAL NUMBER	OLD PART NUMBER	FINISHED LENGTH
130010-0305	113020C01F030	3.00' +1.75" -0 [.9M +44.5 -0]
130010-0307	113020C01F060	6.00' +2.19" -0 [1.8M +55.6 -0]
130010-0311	113020C01F090	9.00' +3.50" -0 [2.7M +88.9 -0]
130010-0312	113020C01F120	12.00' +3.50" -0 [3.7M +88.9 -0]
130010-0315	113020C01F150	15.00' +6.50" -0 [4.6M +165.1 -0]
130010-0316	113020C01F200	20.00' +6.50" -0 [6.1M +165.1 -0]
130010-0319	113020C01F250	25.00' +12.50" -0 [7.6M +317.5 -0]



MALE FACE VIEW      FEMALE FACE VIEW



WIRING DIAGRAM

- NOTE
- 1) MATERIAL: SEE TABLE
  - 2) FINISHES: SEE TABLE
  - 3) WRAP LABEL IS MARKED WITH P/N, DATE CODE, VOLTAGE & AMPERAGE
  - 4) MATES WITH: MINI CHANGE, 3 POLE RECEPTACLE
  - 5) ELECTRICAL DATA:  
 FEMALE A-SIZE TO MALE A-SIZE CORDSET  
 16AWG UNSHIELDED  
 POLES: 3  
 MAX. VOLTAGE: 600V  
 MAX. CURRENT 13A  
 PROTECTION IP67  
 TEMPERATURE RANGE: -20°C TO 90°C

- 6) PACKAGING:  
 CABLE ASSEMBLIES ARE BAGGED SEPERATELY IN POLY BAGS WITH BAR CODE LABEL ATTACHED TO OUTSIDE OF BAG.
- 7) ASSEMBLY IS RoHS COMPLIANT.
- 8) CERTIFICATION  
 CSA CERTIFIED, FILE NO. LR6837

ITEM	COMPONENT	MATERIAL	FINISH
1	INSERT	PVC	YELLOW
2	CONTACT SOCKET	COPPER ALLOY	GOLD OVER NICKEL
3	CONTACT PIN	COPPER ALLOY	GOLD OVER NICKEL
4	COUPLING NUT	ZINC DIE CAST	BLACK E-COATED
5	OVERMOLD	PVC	YELLOW
6	CABLE- 16AWG-3 600V, SOO	RUBBER	YELLOW
7	LABEL	MYLAR	BLACK/YELLOW

<b>RLSD DRAWING</b> EC NO: WNA2010-0418 DRWN: BWOODMAN200912/30 CH'KD: VOU APPR: JFMURPHY 2010/01/08 A	<b>QUALITY SYMBOL</b> ▽=0 ◁=0	<b>GENERAL TOLERANCES (UNLESS SPECIFIED)</b> <table border="1"> <thead> <tr> <th></th> <th>mm</th> <th>INCH</th> </tr> </thead> <tbody> <tr> <td>4 PLACES</td> <td>±---</td> <td>±---</td> </tr> <tr> <td>3 PLACES</td> <td>±---</td> <td>±.005</td> </tr> <tr> <td>2 PLACES</td> <td>±0.13</td> <td>±.010</td> </tr> <tr> <td>1 PLACE</td> <td>±0.25</td> <td>±.020</td> </tr> </tbody> </table>		mm	INCH	4 PLACES	±---	±---	3 PLACES	±---	±.005	2 PLACES	±0.13	±.010	1 PLACE	±0.25	±.020	<b>DIMENSION STYLE</b> IN/MM DRAWN BY: _____ DATE: _____ CHECKED BY: VOU DATE: 2009/12/30 APPROVED BY: JFMURPHY DATE: 2010/01/07	SCALE 1:1 DESIGN UNITS INCH THIRD ANGLE PROJECTION
		mm	INCH																
	4 PLACES	±---	±---																
	3 PLACES	±---	±.005																
2 PLACES	±0.13	±.010																	
1 PLACE	±0.25	±.020																	
DRAFT WHERE APPLICABLE MUST REMAIN WITHIN DIMENSIONS		SEE CHART	<b>MINI-CHANGE CORDSET          3 POLE MALE/FEMALE          16 AWG SOO CABLE</b> <b>MOLEX INCORPORATED</b> MOLEX																
MATERIAL NO.		DOCUMENT NO. SD-130010-010		SHEET NO. 1 OF 1															
THIS DRAWING CONTAINS INFORMATION THAT IS PROPRIETARY TO MOLEX INCORPORATED AND SHOULD NOT BE USED WITHOUT WRITTEN PERMISSION																			