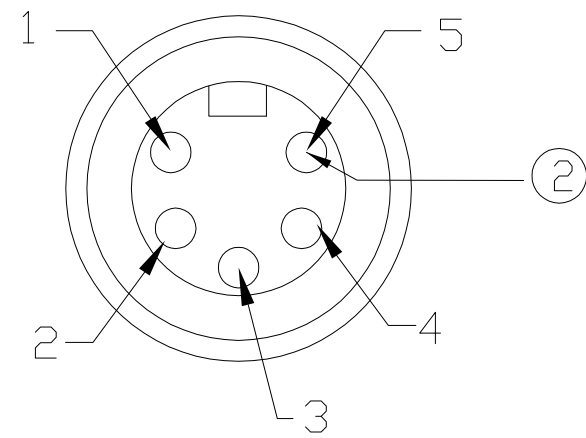
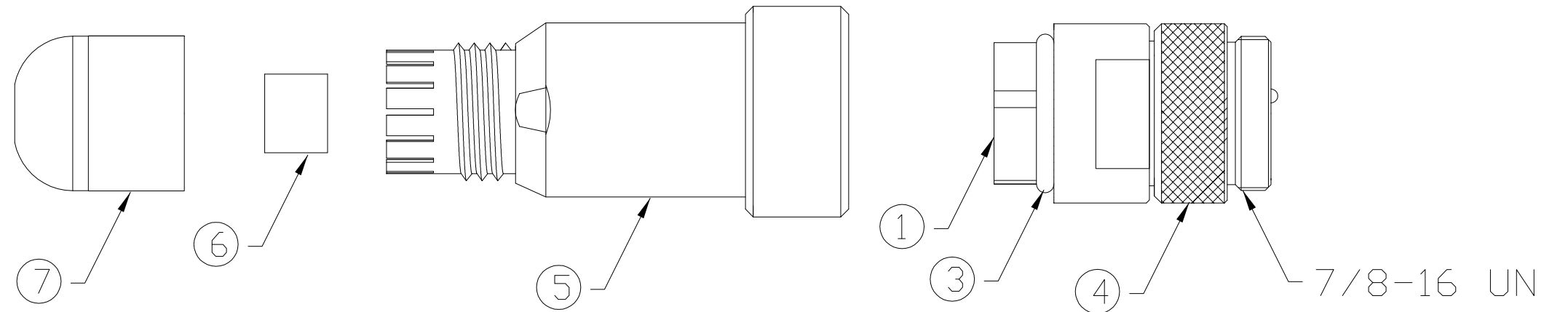
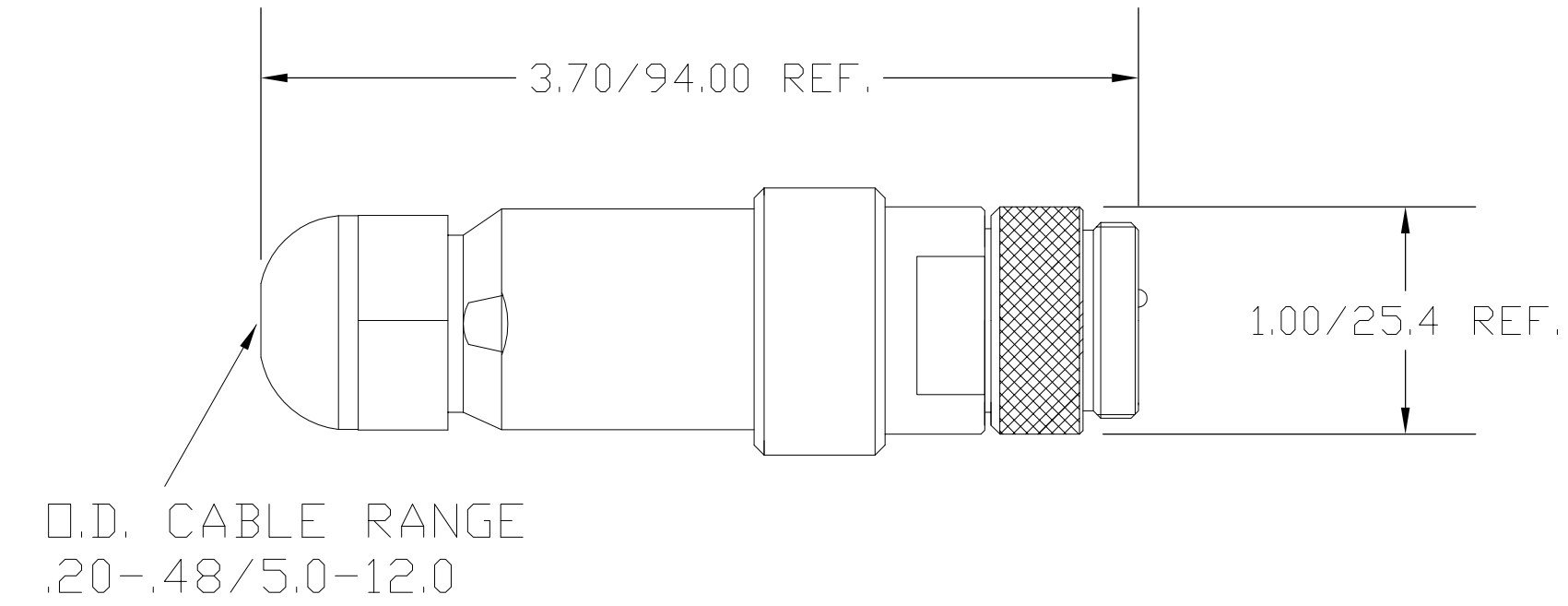
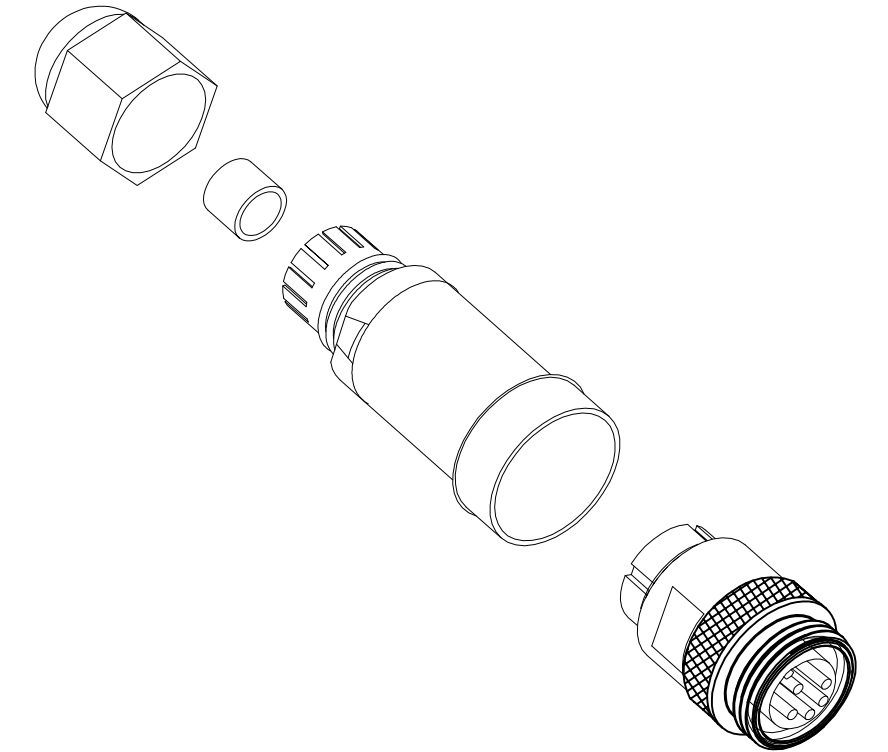
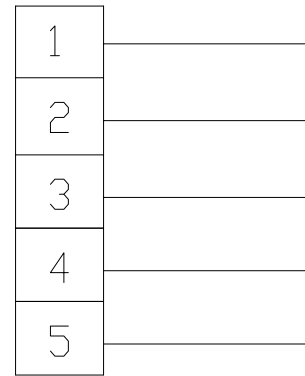


13	12	11	10	9	8	7	6	5	4	3	2	1
MATERIAL NUMBER	ENGINEERING PART NUMBER	COUPLING NUT MATERIAL	COUPLING NUT FINISH									
1300170029	1A5006-34	BRASS	NICKEL PLATED									
1300170030	1A5006-348	STAINLESS STEEL	PASSIVATED									



MALE FACE VIEW



WIRING CHART

VOLTAGE RATING	600VAC/VDC
AMPERAGE RATING	8 AMPS
PROTECTION	IP67
OPERATING TEMPERATURE	-20°C TO 80°C
CSA CERTIFICATIONS	CSA CERTIFIED, FILE NO. LR6837

ITEM	COMPONENT	MATERIAL	FINISH
1	INSERT	NYLON	BLACK
2	PIN CONTACTS	COPPER ALLOY	GOLD PLATED
3	O-RING	NITRILE	BLACK
4	COUPLING NUT	SEE CHART	SEE CHART
5	MOLDED BODY	NYLON	BLACK
6	GROMMET	NITRILE	BLACK
7	CORD GRIP BODY	NYLON	BLACK

RELEASE EC NO: WNA2010-0081 DRWN: TWOLDEGE 8/25/09 CH'KD: BWOODMAN APPR: JFMURPHY 2009/08/27	DESCRIPTION A	QUALITY SYMBOL	GENERAL TOLERANCES (UNLESS SPECIFIED)	DIMENSION STYLE	SCALE	DESIGN UNITS	THIRD ANGLE PROJECTION																																		
		$\nabla=0$ $\sphericalangle=0$	<table border="1"> <tr> <td></td> <td>mm</td> <td>INCH</td> </tr> <tr> <td>4 PLACES</td> <td>±----</td> <td>±---</td> </tr> <tr> <td>3 PLACES</td> <td>±.005</td> <td>±.005</td> </tr> <tr> <td>2 PLACES</td> <td>±.013</td> <td>±.010</td> </tr> <tr> <td>1 PLACE</td> <td>±.025</td> <td>±.020</td> </tr> </table>		mm	INCH	4 PLACES	±----	±---	3 PLACES	±.005	±.005	2 PLACES	±.013	±.010	1 PLACE	±.025	±.020	<table border="1"> <tr> <td>DRAWN BY</td> <td>DATE</td> </tr> <tr> <td>TWOLDEGE</td> <td>2009/08/25</td> </tr> <tr> <td>CHECKED BY</td> <td>DATE</td> </tr> <tr> <td>BWOODMAN</td> <td>2009/08/25</td> </tr> <tr> <td>APPROVED BY</td> <td>DATE</td> </tr> <tr> <td>JFMURPHY</td> <td>2009/08/26</td> </tr> </table>	DRAWN BY	DATE	TWOLDEGE	2009/08/25	CHECKED BY	DATE	BWOODMAN	2009/08/25	APPROVED BY	DATE	JFMURPHY	2009/08/26	<table border="1"> <tr> <td>TITLE</td> <td>MOLEX</td> </tr> <tr> <td>MINI CHANGE ATTACHABLE 5-POLE MALE ST .20"-.48" CABLE RANGE</td> <td></td> </tr> <tr> <td>MOLEX INCORPORATED</td> <td></td> </tr> </table>	TITLE	MOLEX	MINI CHANGE ATTACHABLE 5-POLE MALE ST .20"-.48" CABLE RANGE		MOLEX INCORPORATED			INCH	
			mm	INCH																																					
		4 PLACES	±----	±---																																					
3 PLACES	±.005	±.005																																							
2 PLACES	±.013	±.010																																							
1 PLACE	±.025	±.020																																							
DRAWN BY	DATE																																								
TWOLDEGE	2009/08/25																																								
CHECKED BY	DATE																																								
BWOODMAN	2009/08/25																																								
APPROVED BY	DATE																																								
JFMURPHY	2009/08/26																																								
TITLE	MOLEX																																								
MINI CHANGE ATTACHABLE 5-POLE MALE ST .20"-.48" CABLE RANGE																																									
MOLEX INCORPORATED																																									
	ANGULAR ±1/2°	SEE CHART	DOCUMENT NO.	SHEET NO.																																					
	DRAFT WHERE APPLICABLE MUST REMAIN WITHIN DIMENSIONS		SD-130017-009	1 OF 1																																					
		SIZE C	THIS DRAWING CONTAINS INFORMATION THAT IS PROPRIETARY TO MOLEX INCORPORATED AND SHOULD NOT BE USED WITHOUT WRITTEN PERMISSION																																						