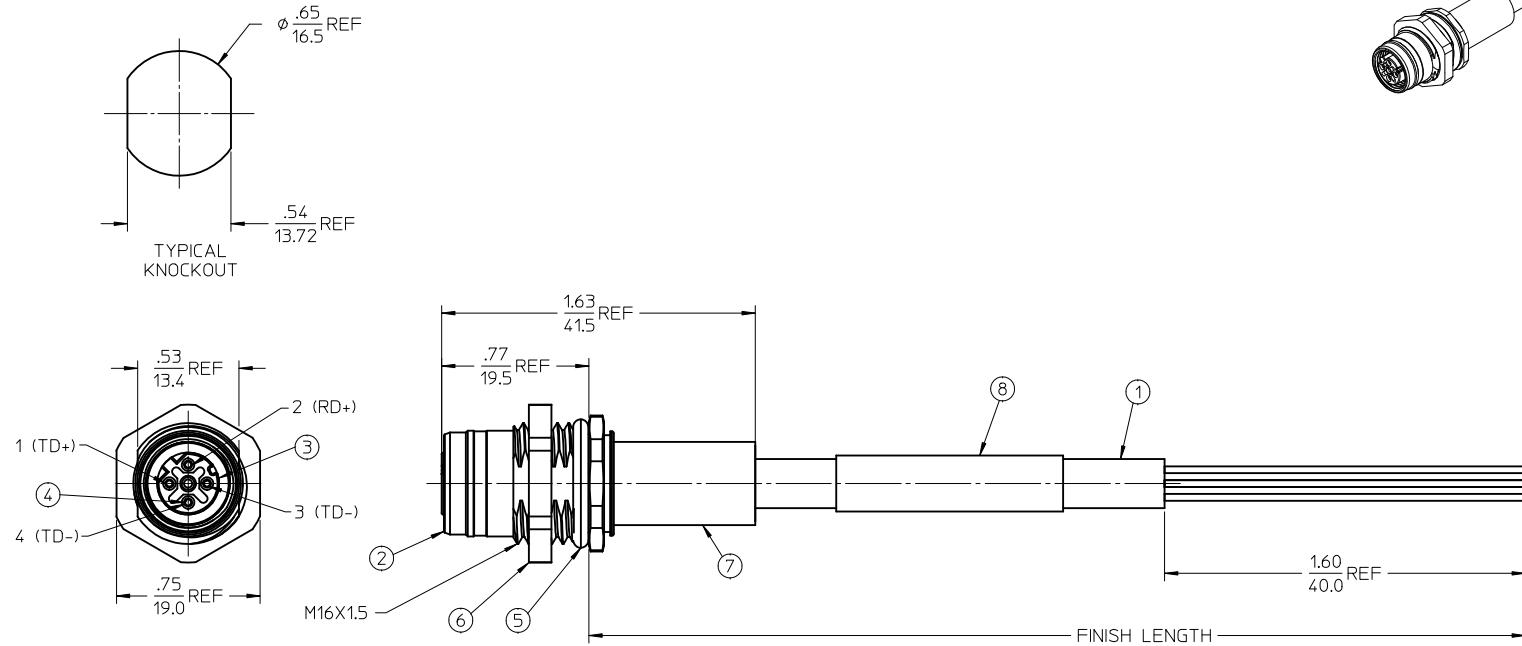
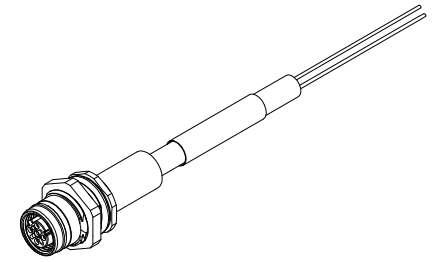


MATERIAL NUMBER	ENGINEERING NUMBER	FINISHED LENGTH
1300540012	ERWAAJ4002M002	7.87" +.75"-0 [2M +19.0-0]
1300540013	ERWAAJ4002M020	76.56" +3.50"-0 [2M +89.0-0]



WIRING CONNECTION

1	ORANGE
2	BLUE
3	ORANGE/WHITE
4	BLUE/WHITE

- NOTES:
- 1) MATERIAL: SEE TABLE
  - 2) FINISH:SEE TABLE
  - 3) ELECTRICAL SPECIFICATIONS:  
VOTAGE: 125V  
CURRNT RATING: 1.5 AMPS
  - 4) ENVIRONMENTAL:  
TEMPERATURE RANGE: -25°C TO 75°C  
IP67
  - 5) ASSEMBLY IS RoHS COMPLIANT BY EXCEPTION

ITEM	COMPONENT	MATERIAL	FINISH
8	LABEL	MYLAR	BLACK/YELLOW
7	SLEEVE	BRASS	NICKEL PLATED
6	PANEL NUT	Cu ALLOY	NICKEL PLATED
5	O-RING	BUNA-N	BLACK
4	SOCKET CONTACT	Cu ALLOY	GOLD PLATED
3	INSERT 4P	NYLON	BLACK
2	RECEPT. SHELL	BRASS	NICKEL PLATED
1	CABLE	ETHERNET CAT 5e(PVC)	JACKET:TEAL

<b>CREATE DOC</b> EC NO: WNAZ010-0467 DRWNR:RUPERT 2010/01/29 CHKDR: WOODMAN 2010/01/29 APPR: JFURPHY 2010/01/29	QUALITY SYMBOLS 	GENERAL TOLERANCES (UNLESS SPECIFIED)		DIMENSION STYLE <b>IN/MM</b>	SCALE <b>1:1</b>	DESIGN UNITS <b>INCH</b>	THIRD ANGLE PROJECTION		
		4 PLACES ± --- ± --- 3 PLACES ± --- ± --- 2 PLACES ± --- ± --- 1 PLACE ± --- ± ---	mm INCH ± --- ± --- ± --- ± --- ± --- ± --- ± --- ± ---	DRAWN BY BW	DATE 2009/07/27	<b>M12 D-CODE CORDSET RECEPTACLE</b>			
		ANGULAR ±1/2°		CHECKED BY VO	DATE 2009/07/28	<b>MOLEX INCORPORATED</b>			
		DRAFT WHERE APPLICABLE MUST REMAIN WITHIN DIMENSIONS		APPROVED BY JM	DATE 2009/07/28	MATERIAL NO. <b>SEE CHART</b>	DOCUMENT NO. <b>SD-130054-001</b>	SHEET NO. <b>1 OF 1</b>	

THIS DRAWING CONTAINS INFORMATION THAT IS PROPRIETARY TO MOLEX INCORPORATED AND SHOULD NOT BE USED WITHOUT WRITTEN PERMISSION