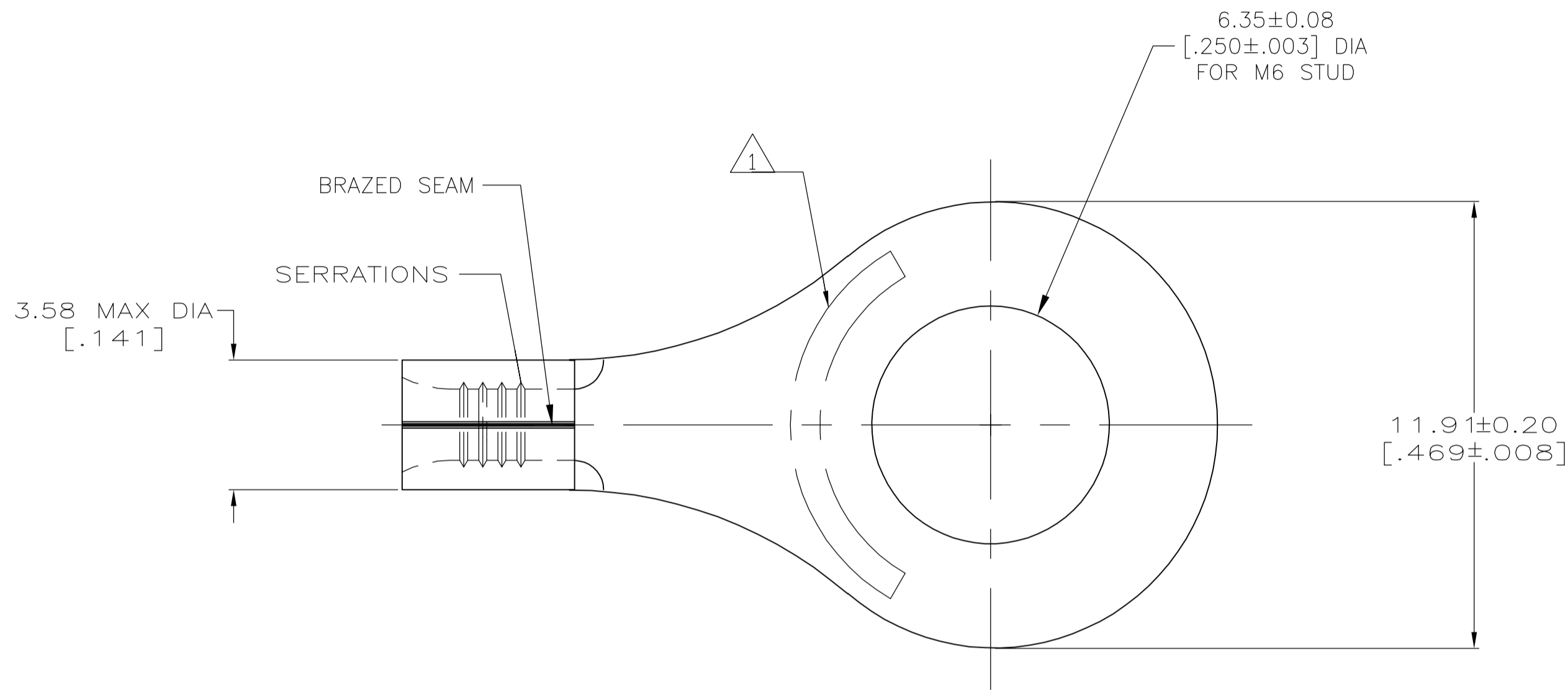
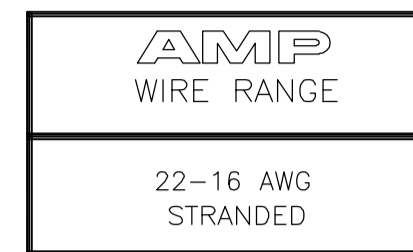
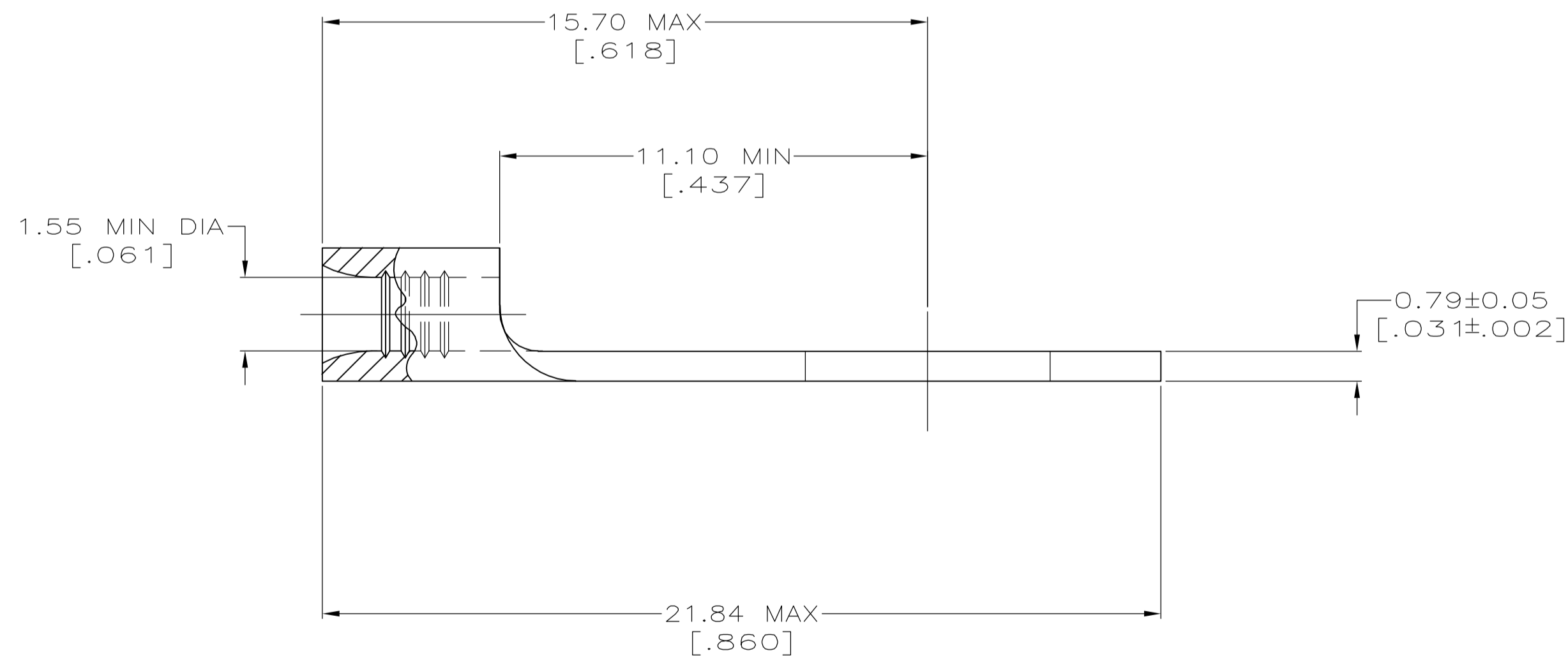


THIS DRAWING IS UNPUBLISHED. RELEASED FOR PUBLICATION  
 © COPYRIGHT BY TYCO ELECTRONICS CORPORATION. ALL RIGHTS RESERVED.

| LOC | DIST | REVISIONS   |                       |         |       |
|-----|------|-------------|-----------------------|---------|-------|
| P   | LTR  | DESCRIPTION | DATE                  | DWN     | APVD  |
| G   | 14   | A1          | REV PER ECR 06-011374 | 19MAY06 | JR TM |



- 1 STAMP "AMP 22-18\*" APPROX AS SHOWN, 22-16 TERMINALS ARE STAMPED 22-18 IN ACCORDANCE WITH MILITARY SPECIFICATION MIL-T-7928, COMMERCIAL WIRE RANGE IS 22-16.
- 2 MATERIAL: COPPER PER ASTM B-152, ANNEALED.
- 3 0.00254 [0.00100] MIN TIN PLATE PER ASTM B-545
- 4 MAX RECOMMENDED OPERATING TEMP 170°C MAX
- 5 0.26-1.65mm<sup>2</sup> [509-3,260] CMA, STRANDED



|                |         |
|----------------|---------|
| LOOSE PIECE    | 130058  |
| PACKAGING TYPE | PART NO |

|  |  |              |               |                  |   |
|--|--|--------------|---------------|------------------|---|
| THIS DRAWING IS A CONTROLLED DOCUMENT.                                       |  | DWN          | jr ruth       | 19MAY06          | Tyco Electronics Corporation<br>Harrisburg, PA 17105-3608 |
| DIMENSIONS: MM [INCHES]  |  | CHK          | T MICHIELUTTI | 19MAY06          |   |
| TOLERANCES UNLESS OTHERWISE SPECIFIED:                                       |  | APVD         | T MICHIELUTTI | 19MAY06          |   |
| 0 PLC ± -<br>1 PLC ± -<br>2 PLC ± -<br>3 PLC ± -<br>4 PLC ± -<br>ANGLES ± 5° |  | PRODUCT SPEC | NAME          |                  |   |
| MATERIAL   |  | FINISH       |               | APPLICATION SPEC | SIZE  |
| -  |  | -            |               | WEIGHT           | CAGE CODE   |
| -  |  | -            |               | CUSTOMER DRAWING | DRAWING NO  |
| -  |  | -            |               | SCALE            | RESTRICTED TO   |
| -  |  | -            |               | 8:1              | -   |
| -  |  | -            |               | SHEET            | 1 of 1  |
| -  |  | -            |               | REV              | A1  |