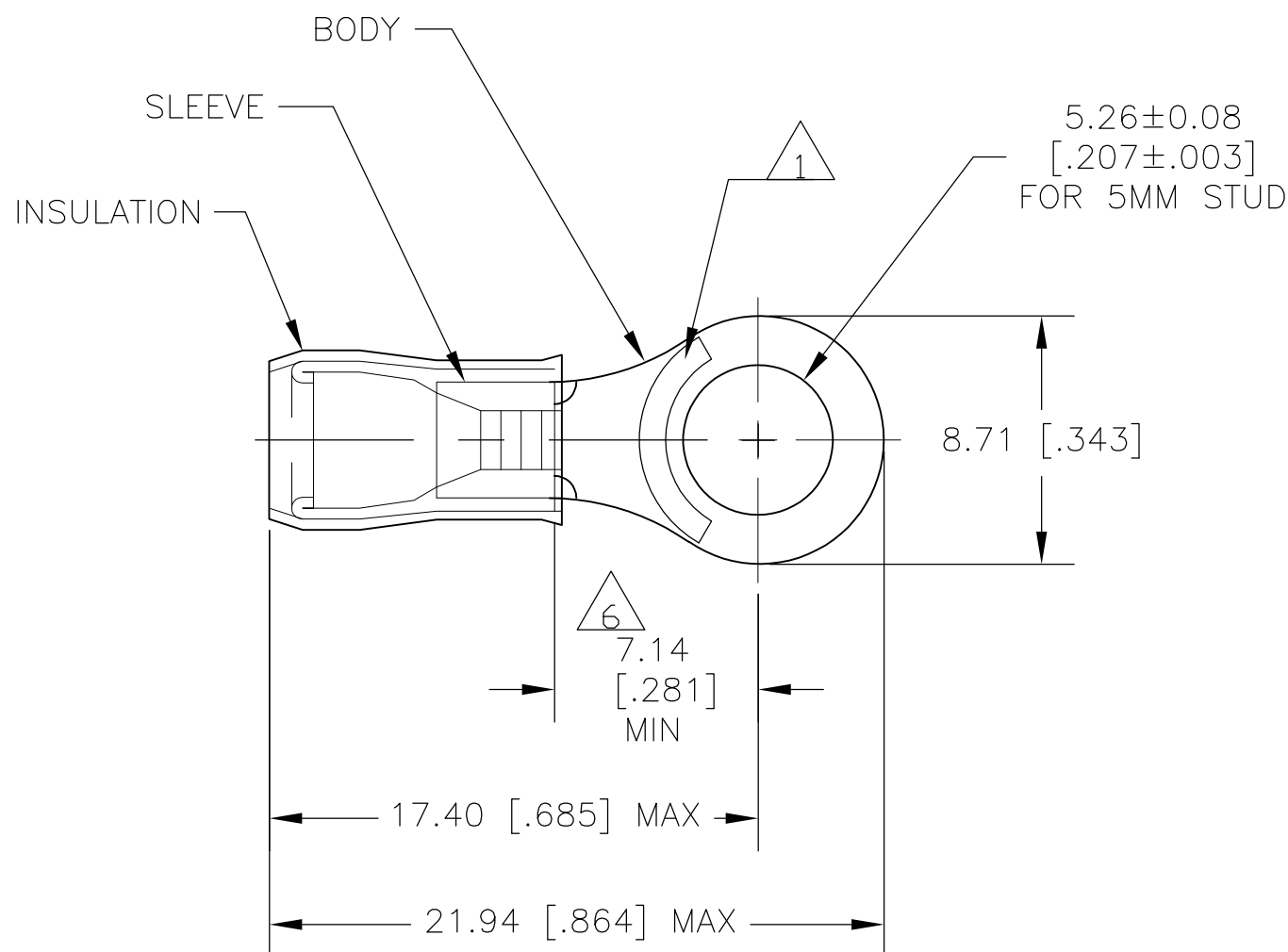


THIS DRAWING IS UNPUBLISHED. RELEASED FOR PUBLICATION
 © COPYRIGHT - By - ALL RIGHTS RESERVED.

LOC	DIST	REVISIONS					
		P	LTR	DESCRIPTION	DATE	DWN	APVD
G	14		K1	REVISED PER ECO-11-004820	11MAR11	RK	HMR



- 1 STAMP AMP 16-14 APPROX AS SHOWN
- 2 WIRE INSULATION DIA: 2.9-4.3 [.115-.170]
- 3 TONGUE MATERIAL THK: 0.78±0.05 [.031±.002]
- 4 BODY & SLEEVE: TIN PLATE PER ASTM B545,
- 5 BODY & SLEEVE- CU PER ASTM B152
INSULATION - NYLON, COLOR - BLUE
- 6 APPLIES FROM EDGE OF METAL WIRE BARREL TO CENTER OF STUD HOLE.

5000	ON TAPE	2-130094-1
1000	LOOSE PIECE	130094
QTY	PACKAGE TYPE	PART NO

AMP INCORPORATED CUSTOMER SERVICE SYSTEMS		MAX RECOMMENDED OPERATING TEMPERATURE: 150°C MAX	THIS DRAWING IS A CONTROLLED DOCUMENT.		DWN JR RUTH 10JAN08	STE TE Connectivity						
FOR ADDITIONAL PRODUCT INFORMATION OR COPIES OF DRAWINGS AND TECHNICAL DOCUMENTS	PRODUCT INFORMATION CENTER 1-800-522-6752	VOLTAGE RATING: -	DIMENSIONS: MM [INCHES]	TOLERANCES UNLESS OTHERWISE SPECIFIED:	CHK T MICHIELUTTI 10JAN08				NAME TERMINAL, RING TONGUE, P.I.D.G. WIRE SIZE: 16-14 AWG			
FOR APPLICATION TOOLING INFORMATION	TOOLING ASSISTANCE CENTER 1-800-722-1111	CIRCULAR MIL AREA: 1.04-2.62mm² [2,050-5,180] STRANDED		0 PLC ± - 1 PLC ± - 2 PLC ± - 3 PLC ± - 4 PLC ± - ANGLES ± -	APVD T MICHIELUTTI 10JAN08	PRODUCT SPEC	SIZE	CAGE CODE	DRAWING NO	RESTRICTED TO		
FOR ORDER ENTRY	1-800-526-5142	THIS DRAWING IS A CONTROLLED DOCUMENT FOR AMP INCORPORATED. IT IS SUBJECT TO CHANGE AND THE CONTROLLING ENGINEERING ORGANIZATION SHOULD BE CONTACTED FOR THE LATEST REVISION.	MATERIAL - 5	FINISH - 4	PRODUCT SPEC	APPLICATION SPEC	A3	00779	C-130094	-		
					CUSTOMER DRAWING		SCALE	4:1	SHEET	1 OF 1	REV	K1