

PLEASE CHECK WWW.MOLEX.COM FOR LATEST PART INFORMATION

Part Number: [1300940526](#)
Status: **Active**
Overview: [brad wire mesh grips](#)
Description: Support Grips for Fiber Optics, Closed Mesh, Single Eye, Bale Length 6", Cable Diameter 11.68-14.73mm (.460-.580")

Documents:

[Drawing \(PDF\)](#) [RoHS Certificate of Compliance \(PDF\)](#)

General

Product Family	Cable Grips
Series	130094
Eye Type	Single eye
Insulated	No
O-Ring	No
Overview	brad wire mesh grips
Product Name	Fiber Optic
Type	Strain Relief Grips
Woodhead	Yes

Physical

Approximate Break Strength	400 lbs
Bale Length	0.152m (6.00")
Body Style	N/A
Cable Diameter	11.68-14.73mm (.460-.580")
Color - Grommet	N/A
Gender	N/A
Material - Body	Aluminum
Material - Grip	Non-magnetic Tin Bronze Wire
Mesh Length	0.102m (4.00")
Number of Holes	N/A
Strain Relief Force	35 lbs
Thread Size	N/A

Material Info

Old Part Number 36674

Reference - Drawing Numbers

Sales Drawing SD-130094-001

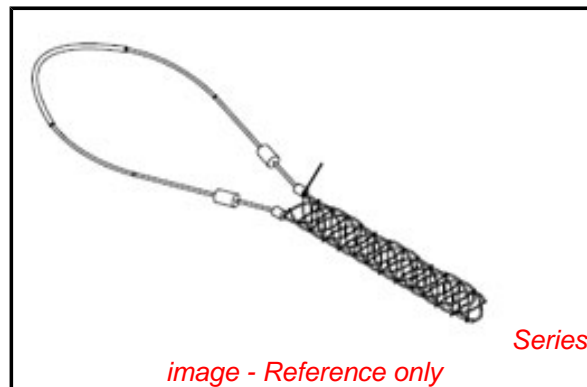


image - Reference only

EU RoHS

**ELV and RoHS
Compliant**
**REACH SVHC
Not Reviewed**
**Halogen-Free
Status
Not Reviewed**

China RoHS



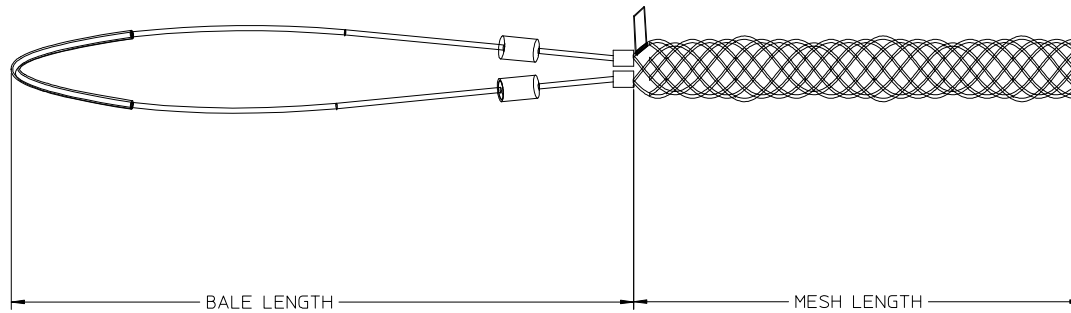
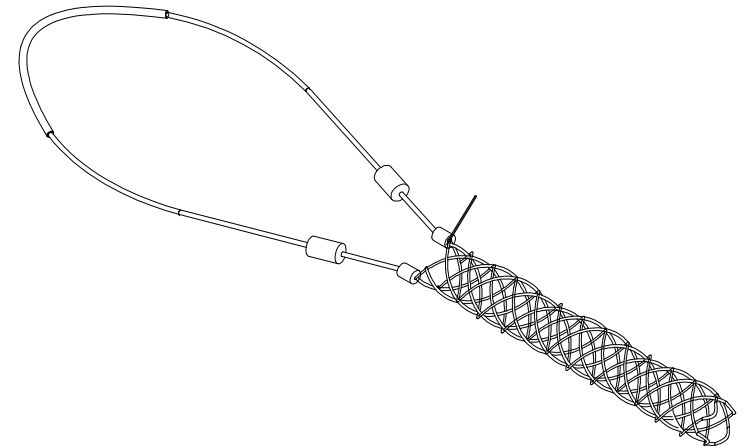
**Need more information on product
environmental compliance?**

Email productcompliance@molex.com
 For a multiple part number RoHS Certificate of Compliance, [click here](#)

Please visit the [Contact Us](#) section for any non-product compliance questions.

Search Parts in this Series
[130094Series](#)

OLD PART NO.	ORDER NO.	CABLE DIA. RANGE	BALE LENGTH	MESH LENGTH	APPROXIMATE BREAK STRENGTH
36670	130094-0522	.180-.250"	3.00"	1.70"	300 LBS
36671	130094-0523	.230-.320"	3.00"	2.50"	300 LBS
36672	130094-0524	.300-.390"	4.00"	2.50"	300 LBS
36673	130094-0525	.370-.480"	5.00"	4.00"	300 LBS
36674	130094-0526	.460-.580"	6.00"	4.00"	400 LBS
36675	130094-0527	.560-.710"	7.00"	5.50"	500 LBS
36676	130094-0528	.690-.880"	8.00"	6.00"	800 LBS



COMPONENT	MATERIAL	FINISH
FLAG LABEL	POLYESTER	SILVER
FERRULE	STAINLESS STEEL	PASSIVATE
.030 WIRE 1X7LHLAY MESH	BRONZE	TINNED
.075 WIRE 1X7LHLAY BALE	BRONZE	TINNED
.187X1.000 SLEEVE	STAINLESS STEEL	PASSIVATE

ENTER DESCRIPTION EC NO: WNA2009-0481 DRWNSGARCIA 2009/03/31 CHKD: B WOODMAN APPR: J MURPHY 2009/04/01 REV A	QUALITY SYMBOLS ▽=0 ▽=0
	DESCRIPTION 2009/04/01
	GENERAL TOLERANCES (UNLESS SPECIFIED) mm INCH
	DIMENSION STYLE IN/MM

4 PLACES ± --- ± --- 3 PLACES ± --- ± --- 2 PLACES ± --- ± --- 1 PLACE ± --- ± --- ANGULAR ±1/2° DRAFT WHERE APPLICABLE MUST REMAIN WITHIN DIMENSIONS
--

DRAWN BY SGARCIA DATE 02/11/09 CHECKED BY B WOODMAN DATE 02/11/09 APPROVED BY JFMURPHY DATE 02/11/09 MATERIAL NO. SEE CHART SIZE C

SCALE 1:10 DESIGN UNITS INCH THIRD ANGLE PROJECTION	TITLE SUPPORT GRIPS FOR FIBER OPTICS	MOLEX INCORPORATED DOCUMENT NO. SD-130094-001 SHEET NO. 1 OF 1
---	---	--