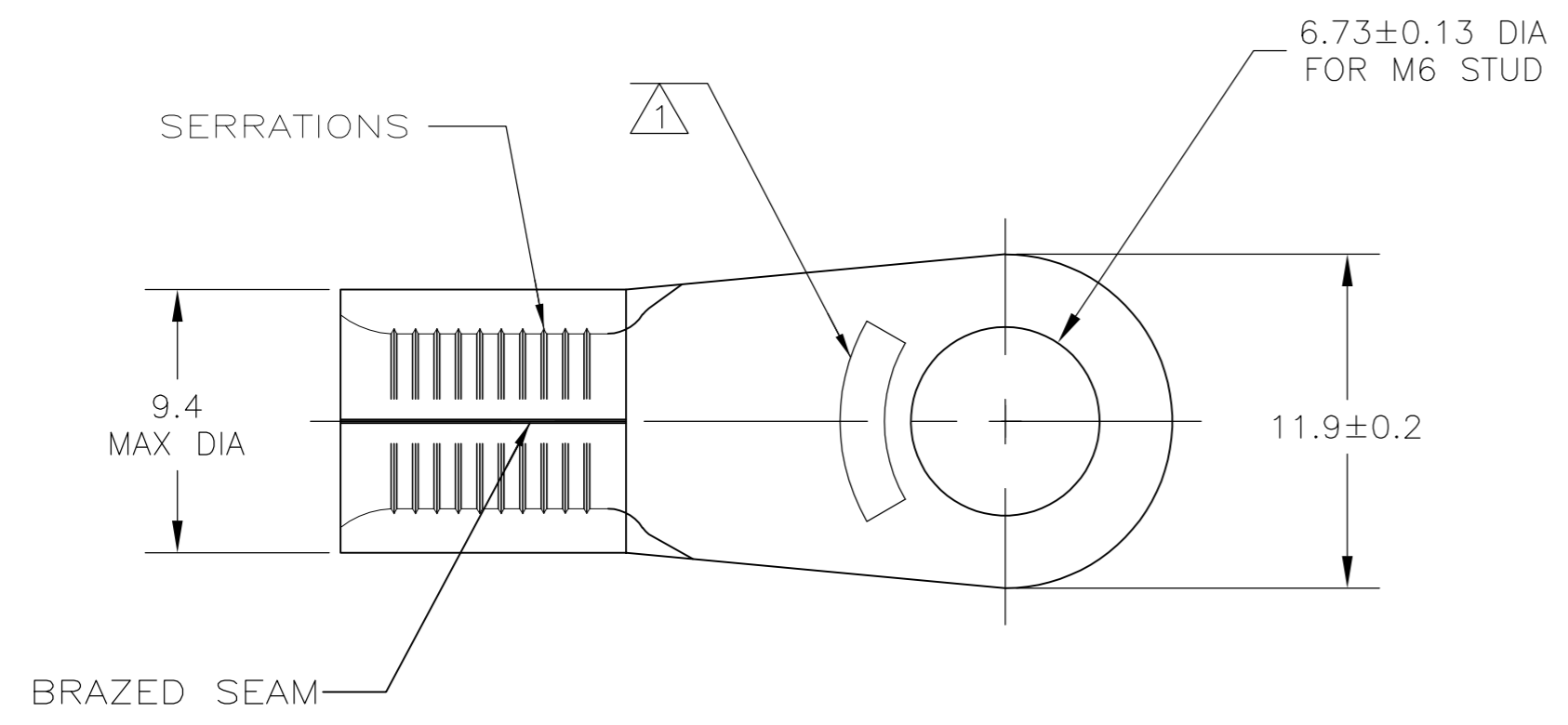


THIS DRAWING IS UNPUBLISHED. RELEASED FOR PUBLICATION  
 © COPYRIGHT BY TYCO ELECTRONICS CORPORATION. ALL RIGHTS RESERVED.

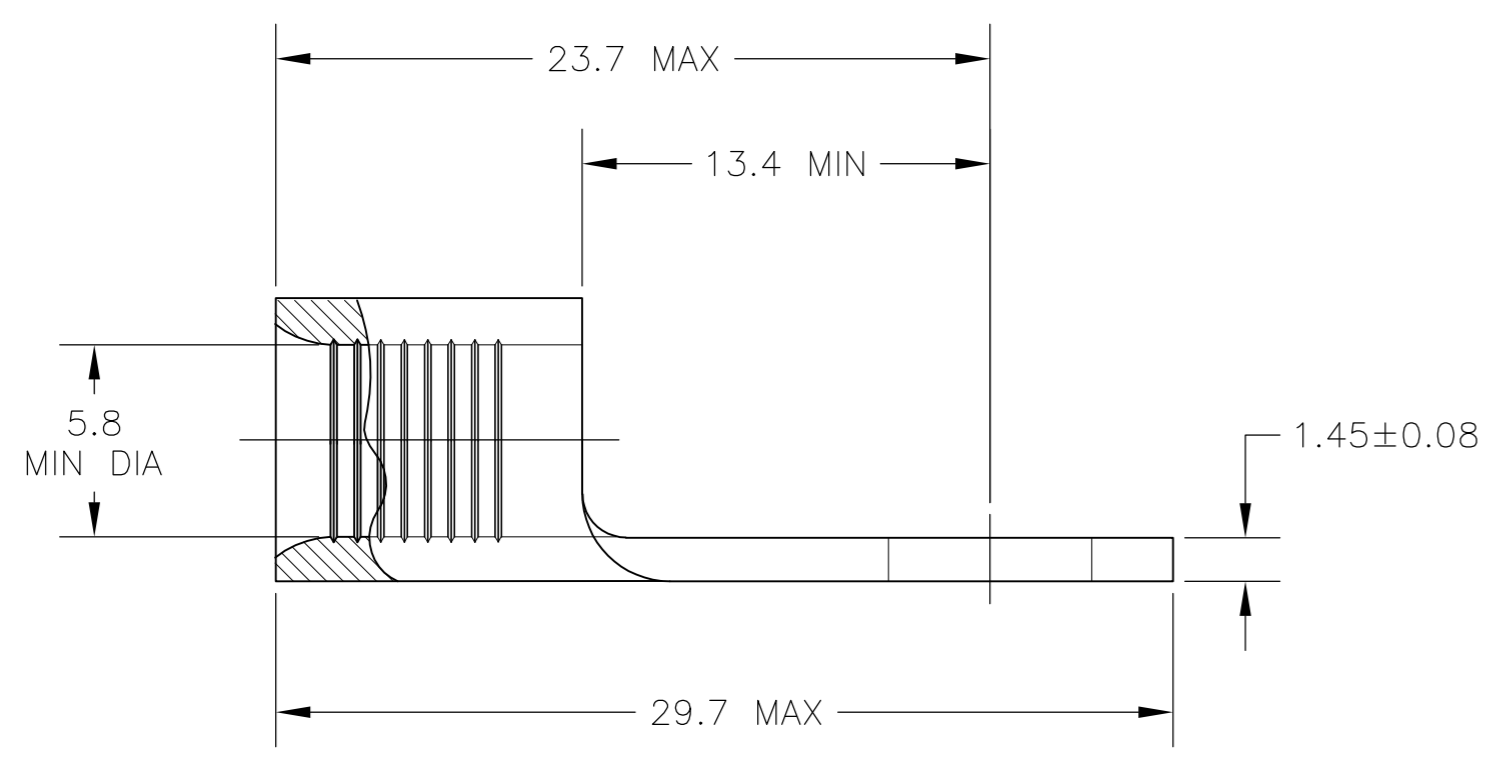
LOC	DIST	REVISIONS					
		P	LTR	DESCRIPTION	DATE	DWN	APVD
G	14		A	REDRAWN PER ECR 05-010490	08SEP05	JR	TM
			A1	REVISED PER ECO-09-020935	29AUG09	KK	AEG



**AMP**  
WIRE RANGE

6 AWG  
SOLID OR STRANDED

- 1 STAMP AMP 6\* APPROX AS SHOWN
- 2 COPPER PER ASTM B-152, ANNEALED
- 3 MAX OPERATING TEMP IS 170°C
- 4 WIRE CROSS SECTIONAL AREA RANGE:  
10.5-16.8mm<sup>2</sup> [20,800-33,100] CIR MILS  
SOLID OR STRANDED WIRE
- 5 OBSOLETE PARTS: OBSOLETE CIS STREAMLINING  
PER D.RENAUD/D.SINISI



5 OBSOLETE	LOOSE PIECE BOX	25	TIN PLATE 0.00254[.000100] MIN THK PER ASTM B-545	<del>8</del> 130554 <del>1</del>
	LOOSE PIECE	100	TIN PLATE 0.00254[.000100] MIN THK PER ASTM B-545	130554
	PACKAGE TYPE	QTY	FINISH	PART NO.

THIS DRAWING IS A CONTROLLED DOCUMENT.		DWN JR RUTH 08SEP05	Tyco Electronics Corporation Harrisburg, Pa 17105-3608	
DIMENSIONS: mm INCHES		CHK T MICHIELUTTI 08SEP05	NAME	
TOLERANCES UNLESS OTHERWISE SPECIFIED:		APVD T MICHIELUTTI 08SEP05	PRODUCT SPEC	
0 PLC ± -		APPLICATION SPEC		
1 PLC ± -		SIZE CAGE CODE DRAWING NO RESTRICTED TO		
2 PLC ± -		A2 00779 C=130554		
3 PLC ± -		SCALE 4:1 SHEET 1 OF 1 REV A1		
4 PLC ± -		CUSTOMER DRAWING		
ANGLES ± -				
FINISH				
SEE TABLE				

130554

A