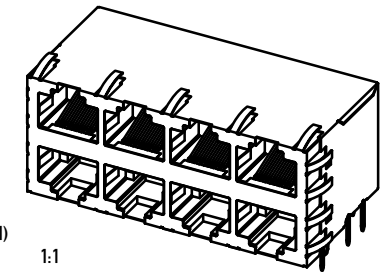
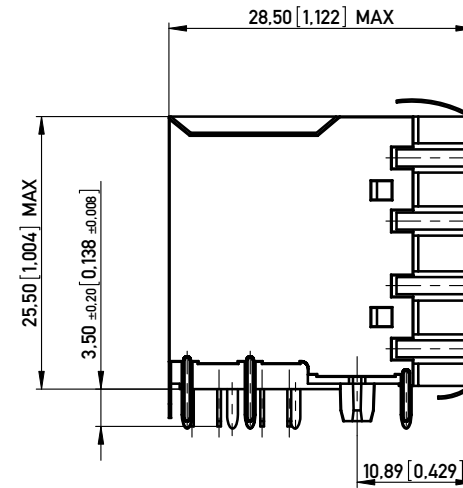
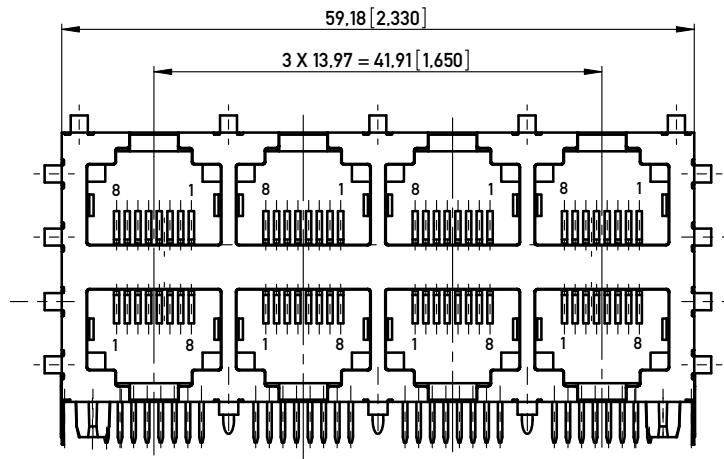
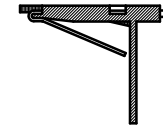


IMPROVED CONTACT DESIGN
(PRE BEND)



1:1

Technical specifications

Materials & Finish	Standard applic.	Value
Insulation body	Standard description	PBT 30%
Contact material	Standard description	C5210 (acc. JIS)
Contact finish, mating zone	Thickness of plating	30 µin Au over 50 µin Ni
Contact finish termination zone	Thickness of plating	80 µin matte Sn over 50 µin Ni
Shell/shield material	Standard description	C2680 (acc. JIS)
Shell/shield plating	Thickness of plating	50 µin Ni

Assembly process	Value
Packaging	Tray
Solder temperature	235°C at 3-5s
Suitable assembly process	wave

Approvals	Value
UL insulation body	UL 94
UL File No.	E145613
RoHS compliant	Yes

Test Data	Standard applic.	Value
Mechanical properties		
Insertion/withdrawal force	IEC 603-7	max. 20 N
Mechanical operations	IEC 512-5, 9a	min. 1.000
Effectiveness of connector coupling device	IEC 512-8, 15f	50 N

Electrical properties	Standard applic.	Value
Creepage / clearance distances		
a) Contact - contact	IEC 807-3	0.52 mm
b) Contact - shell	IEC 807-3	min. 1.0 mm
Voltage proof (Dielectric Withstand Voltage)		
a) Contact - contact	IEC 512-2, 4a	min. 1.000 V AC/DC
b) Contact - shell/testpanel	IEC 512-2, 4a	min. 1.500 V AC/DC
Current carrying capacity	IEC 512-3, 5b	1.5 A @ 25° C
Contact resistance	IEC 512-2, 2a	max. 30 mOhm
Insulation resistance	IEC 512-2, 3a	min. 500 MOhm

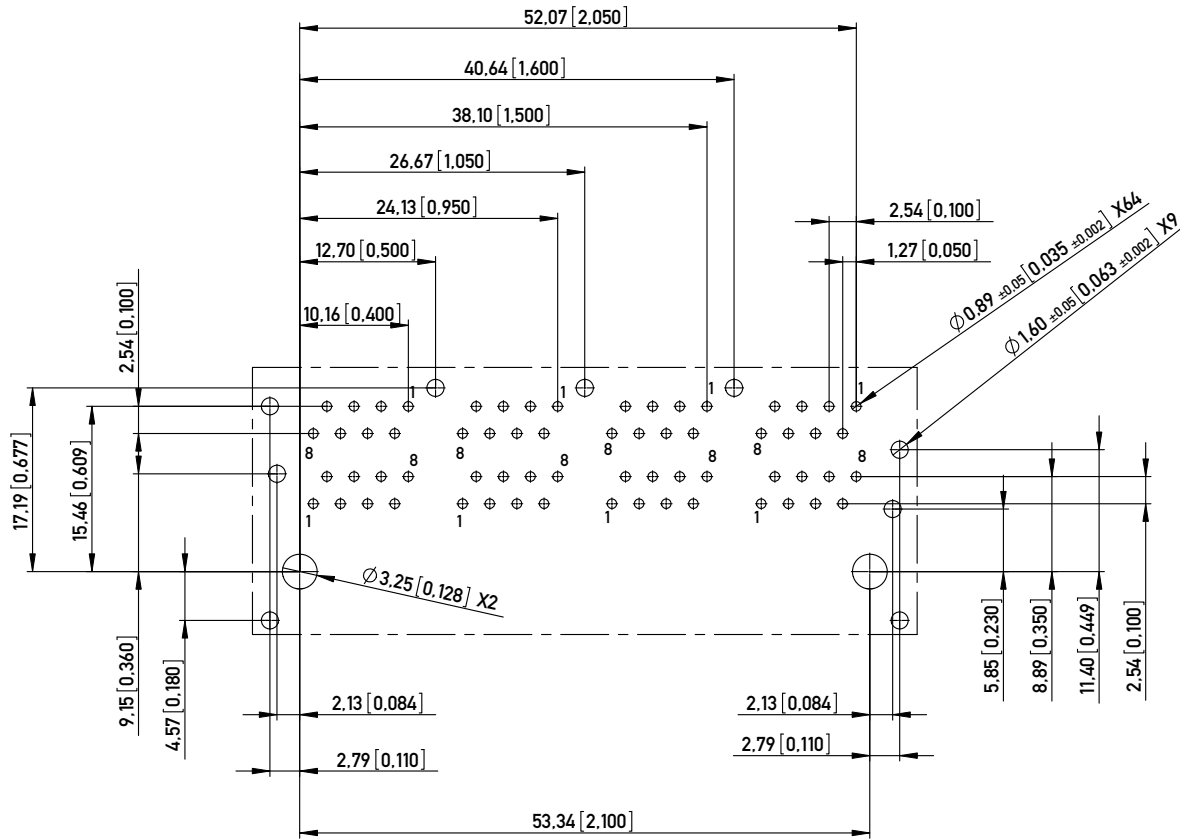
Environmental properties	Value
Operation temperature	0 - 70° C

- NOTE 1: PANEL GROUND FLANGES TOP; SIDES 8 GF9)
- NOTE 2: REAR GROUNDING PIN BETWEEN EVERY PART
- NOTE 3: 3 SIDE GROUND PINS EACH SIDE; STAGGERED (S1)
- NOTE 4: RoHS COMPLIANT
- NOTE 5: C-UL APPROVED E145613 AND MEETS FCC REQUIREMENTS

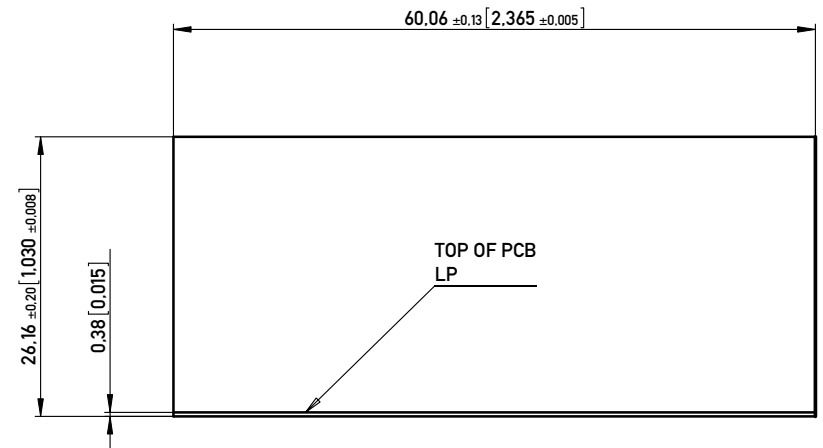
Information:	Tolerances	All Dimensions in mm(in)	Scale	2:1
All rights reserved. Only for Information. To ensure that this is the latest version of this drawing, please contact one of the ERNI companies before using.	Subject to modification without prior notice. Drawing will not be updated.		Designation	MOD JACK - MJD 8P8C, 2X4, CATEGORY 5
b	20.05.2010	www.ERNI.com	133046	A3
Index	Date		Class	MJ

Copyright by ERNI GmbH
Proprietary notice pursuant to ISO 16016 to be observed.

RECOMMENDED PCB LAYOUT (COMPONENT SIDE VIEW)
 EMPFOHLENES LEITERPLATTEN-LAYOUT (BESTUECKUNGSSEITE)
 TOL. ±0.05 [0.002] UNLESS NOTED



RECOMMENDED PANEL CUTOUT
 EMPFOHLENER FRONTPLATTEN-AUSSCHNITT



Copyright by ERNI GmbH.
 Proprietary notice pursuant to ISO 16016 to be observed.

Information:		Tolerances		Scale	2:1
All rights reserved. Only for Information. To ensure that this is the latest version of this drawing, please contact one of the ERNI companies before using.		All Dimensions in mm [in]		Designation	
Subject to modification without prior notice. Drawing will not be updated.				MOD JACK - MJD 8P8C, 2X4, CATEGORY 5	
www.ERNI.com		133046		A3	
b	20.05.2010	Class		MJ	
Index	Date				