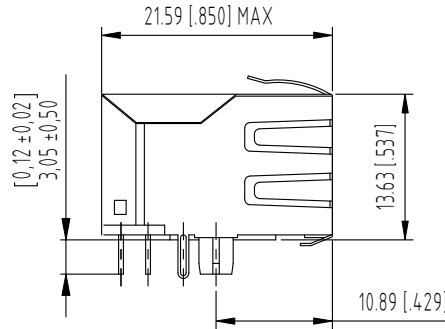
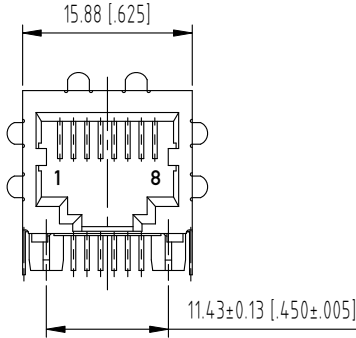
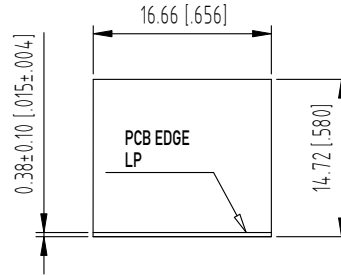
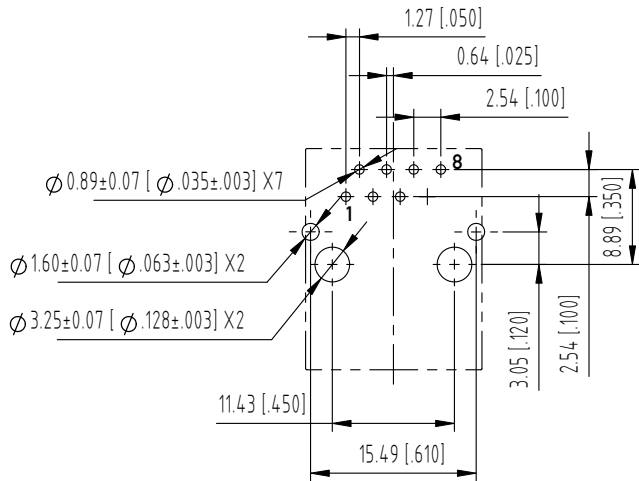


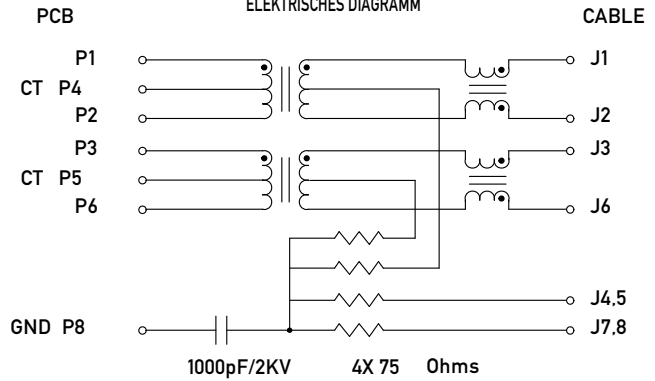
RECOMMENDED PANEL CUTOUT  
EMPFOLHENER FRONTPLATTEN AUSSCHNITT



RECOMMENDED PCB LAYOUT (COMPONENT SIDE VIEW)  
EMPFOLHENER FUER LEITERPLATTE (BESTUECKUNGSSEITE)  
TOL ±0.05 [.002] UNLESS NOTED



ELECTRICAL SCHEMATIC M3D01  
ELEKTRISCHES DIAGRAM



MAGNETICS SPECIFICATIONS @ 25°C

AUTO MDIX COMPATIBLE

URNS RATIO:  
(P1-P2 : J1-J2) 1CT : 1±3%  
(P3-P6 : J3-J6) 1CT : 1±3%

OCL(100 KHz, 0.1 Vrms, 8 mA)  
(P1-P2 : P3-P6) 350µH MIN

DCR (P1-P2, P3-P6) 0.9 OHMS MAX

INSERTION LOSS:  
0.1-100 MHz -1.1 dB MAX

RETURN LOSS:  
0.5 - 30 MHz: -18 dB MIN  
40 MHz: -15.5 dB MIN  
50 MHz: -13.6 dB MIN  
60 - 80 MHz: -12 dB MIN

CROSSTALK:  
1-100 MHz -40 dB TYP

CMR:  
0.1 - 30 MHz -50 dB TYP  
30 - 60 MHz -40 dB TYP  
60 - 100 MHz -35 dB TYP

ISOLATION 1500 Vrms

NOTE 1: PANEL GROUND FLANGES BOTH SIDES AND TOP (GF5)

NOTE 2: SIDE GROUND TABS REAR OF PEG 3.05mm (R)

MATERIALS AND FINISH

HOUSING: GLASS FILLED POLYESTER UL 94 V-0 BLACK

SHIELDING: Cu ALLOY, PLATED WITH Ni

CONTACTS: PHOSPHOR BRONZE

CONTACT FINISH: Au, 0.8 µm (30 µin) OVER Ni

TERMINAL FINISH: Sn matte

MECHANICAL CHARACTERISTICS

DURABILITY: 1000 MATING CYCLES

OPERATING TEMPERATURE: 0°C TO 70°C

Copyright by ERNI GmbH  
Proprietary notice pursuant to ISO 16116 to be observed.

Information:	Tolerances		Scale	1:1
All rights reserved. Only for Information. To ensure that this is the latest version of this drawing, please contact one of the ERNI companies before using.	Subject to modification without prior notice. Drawing will not be updated.	All Dimensions in mm	Designation	MOD JACK - MJIM 8C7T, 1X1, INTEGRATED MAGNETICS
H	12.03.2008		www.ERNI.com	133723
Index	Date			1 (1/1) A3
Class				MAXMJ