

**PLEASE CHECK WWW.MOLEX.COM FOR LATEST PART INFORMATION**

**Part Number:** **0039000308**  
**Status:** **Active**  
**Overview:** [standard\\_093](#)  
**Description:** 2.36mm (.093") Diameter, Standard .093" Pin and Socket Crimp Terminal, Series 1381, Female, with Tin (Sn) over Copper Plated Brass Contact, 18-24 AWG, Bag

**Documents:**

[Drawing \(PDF\)](#) [Product Specification PS-1381-005 \(PDF\)](#)  
[Product Specification PS-1381-004 \(PDF\)](#) [RoHS Certificate of Compliance \(PDF\)](#)

**General**

Product Family Crimp Terminals  
 Series [1381](#)  
 Crimp Quality Equipment Yes  
 Overview [standard\\_093](#)  
 Product Name Standard .093"

**Physical**

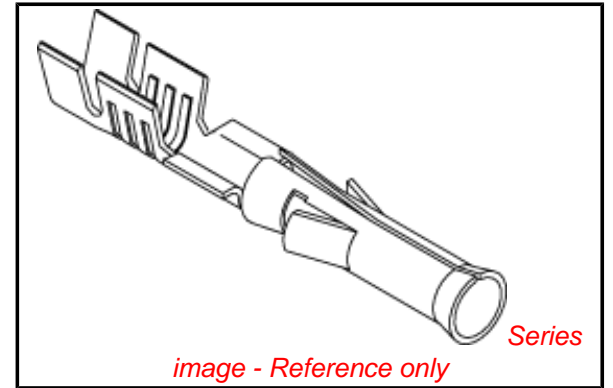
Gender Female  
 Material - Metal Brass  
 Material - Plating Mating Tin  
 Material - Plating Termination Tin  
 Packaging Type Bag  
 Plating min: Mating (µin) 35  
 Plating min: Mating (µm) 0.88  
 Plating min: Termination (µin) 35  
 Plating min: Termination (µm) 0.88  
 Termination Interface: Style Crimp or Compression  
 Wire Insulation Diameter 1.50-3.10mm (.059-.122")  
 Wire Size AWG 18, 20, 22, 24  
 Wire Size mm<sup>2</sup> N/A

**Material Info**

Old Part Number 1381ATL

**Reference - Drawing Numbers**

Product Specification PS-1381-004, PS-1381-005, RPS-1381-001  
 Sales Drawing SD-1381\*



**EU RoHS**

**ELV and RoHS Compliant**  
**REACH SVHC Contains SVHC: No**  
**Halogen-Free Status**

**China RoHS**



**Need more information on product environmental compliance?**

Email [productcompliance@molex.com](mailto:productcompliance@molex.com)  
 For a multiple part number RoHS Certificate of Compliance, [click here](#)

Please visit the [Contact Us](#) section for any non-product compliance questions.

**Search Parts in this Series**

[1381Series](#)

**Application Tooling | [FAQ](#)**

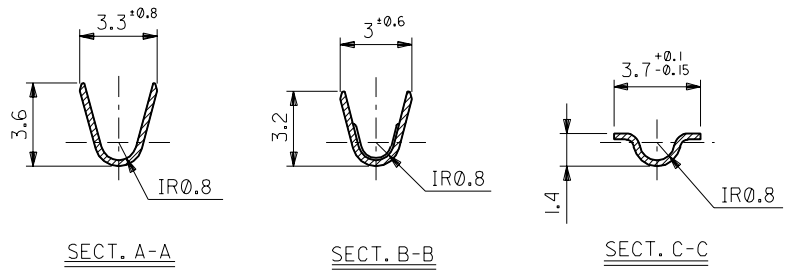
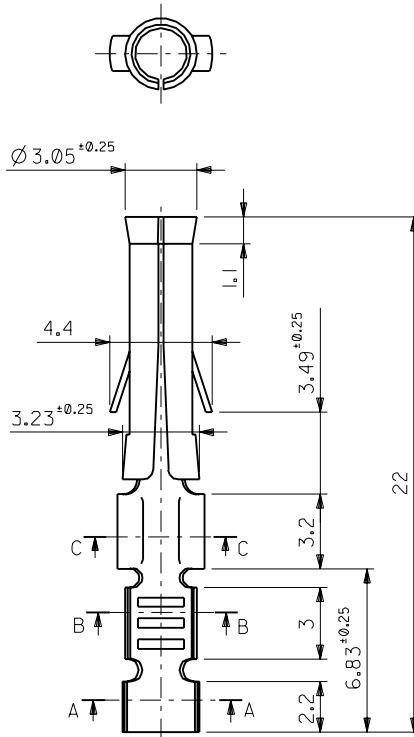
*Tooling specifications and manuals are found by selecting the products below. Crimp Height Specifications are then contained in the Application Tooling Specification document.*

**Global**

Description	Product #
Hand Crimp Tool	<a href="#">0638191200</a>
Extraction Tool	<a href="#">0011030006</a>

**Japan**

Description	Product #
Hand Crimp Tool	<a href="#">0011260006</a>
JHTR1031C	



注記 NOTES:

1. 一般公差: ±0.4  
GENERAL TOLERANCES: ±0.4

ニッケル (2 μm MIN.) 下地 金 (0.35 μm MIN.) GOLD (0.35 μm MIN.) OVER NICKEL (2 μm MIN.)	無 NO	39-00-0314	I381AGL	バラ端子 LOOSE
	有 YES	39-00-0312	I381AG	連鎖状端子 CHAIN
銅 (3 μm MIN.) 下地 錫 (0.5 μm MIN.) OVER COPPER (3 μm MIN.)	無 NO	39-00-0310	I381AT2L	バラ端子 LOOSE
	有 YES	39-00-0311	I381G	連鎖状端子 CHAIN
銅 (0.5 μm MIN.) 下地 錫 (0.9 μm MIN.) OVER COPPER (0.5 μm MIN.)	無 NO	39-00-0308	I381ATL	バラ端子 LOOSE
	有 YES	39-00-0284	I381AT	連鎖状端子 CHAIN
メッキ PLATING	無 NO	39-00-0307	I381ITL	バラ端子 LOOSE
	有 YES	39-00-0285	I381IT	連鎖状端子 CHAIN
	メッキ有無 WITH DIMPLE	EDP.NO.	ENG.NO.	形状 FORM

材料 MATERIAL 黄銅 BRASS 0.264t	molex MOLEX-JAPAN CO.,LTD. 日本モレックス株式会社
仕上げ FINISH	
適用電線範囲 WIRE RANGE AWG# 18-#24	REVISE ONLY ON CAD SYSTEM
被覆外径 INS. RANGE φ 1.5~3.1	TITLE 名称
DRAWN BY 93/07/06 CHK'D BY 93/07/06 H.HASEGAWA H.HIRAMOTO	.093 DIA. FEMALE TERM.
APP'D BY 93/07/06 尺度 M.FUKUSHIMA SCALE 5 : 1	DWG. NO. SD-1381*
REVISION RECORD	REV H

角度 ANGLE	±3°
30°以上 OVER	+0.3
10°以上 30°未満 UNDER	+0.25
10°未満 UNDER	+0.2
一般公差 GENERAL TOLERANCES	