

NOTES:

1. DELETED.
- 2 ALL TORQUE TESTING MUST BE PERFORMED WITH A .038 / 0.97 MINIMUM THICK SPACER BETWEEN THE SCREW HEAD AND TERMINAL BODY.
- 3 TORQUE REQUIREMENTS: THE THREADS OF THE POWER TERMINAL AND THE BRASS SCREW SUPPLIED WILL WITHSTAND 8 IN.-LBS. MINIMUM OF TIGHTENING TORQUE WITHOUT DAMAGE, WHEN A WASHER WITH A MINIMUM THICKNESS OF .038 / 0.97 (AS SUPPLIED) IS INSTALLED BETWEEN THE SCREW HEAD AND THE POWER TERMINAL BODY.
- 4 NO PLATING ON EDGES SHOWN.
- 5 SCREW AND WASHER TO BE SHIPPED UNASSEMBLED IN A SEPARATE POLY BAG.
- 6 C-Press® CONTACT PLATED THRU HOLE REQUIREMENTS PER DRAWING 27331.
7. WHEN NO WASHER / SPACER OR TERMINAL LUG IS INSTALLED, THE THREADS OF THE POWER TERMINAL WILL WITHSTAND A MAXIMUM TIGHTENING TORQUE OF 6 IN.-LBS.
- 8 M4 SCREW IS CAPTIVATED IN TERMINAL. TOTAL SCREW TRAVEL DISTANCE: .066/1.68 REF.

SPECIFICATIONS

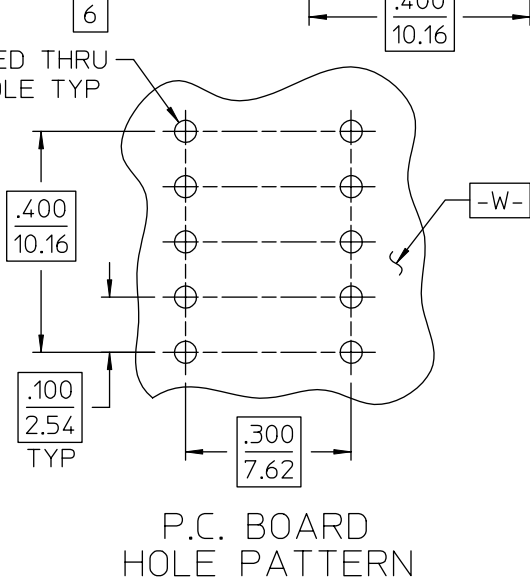
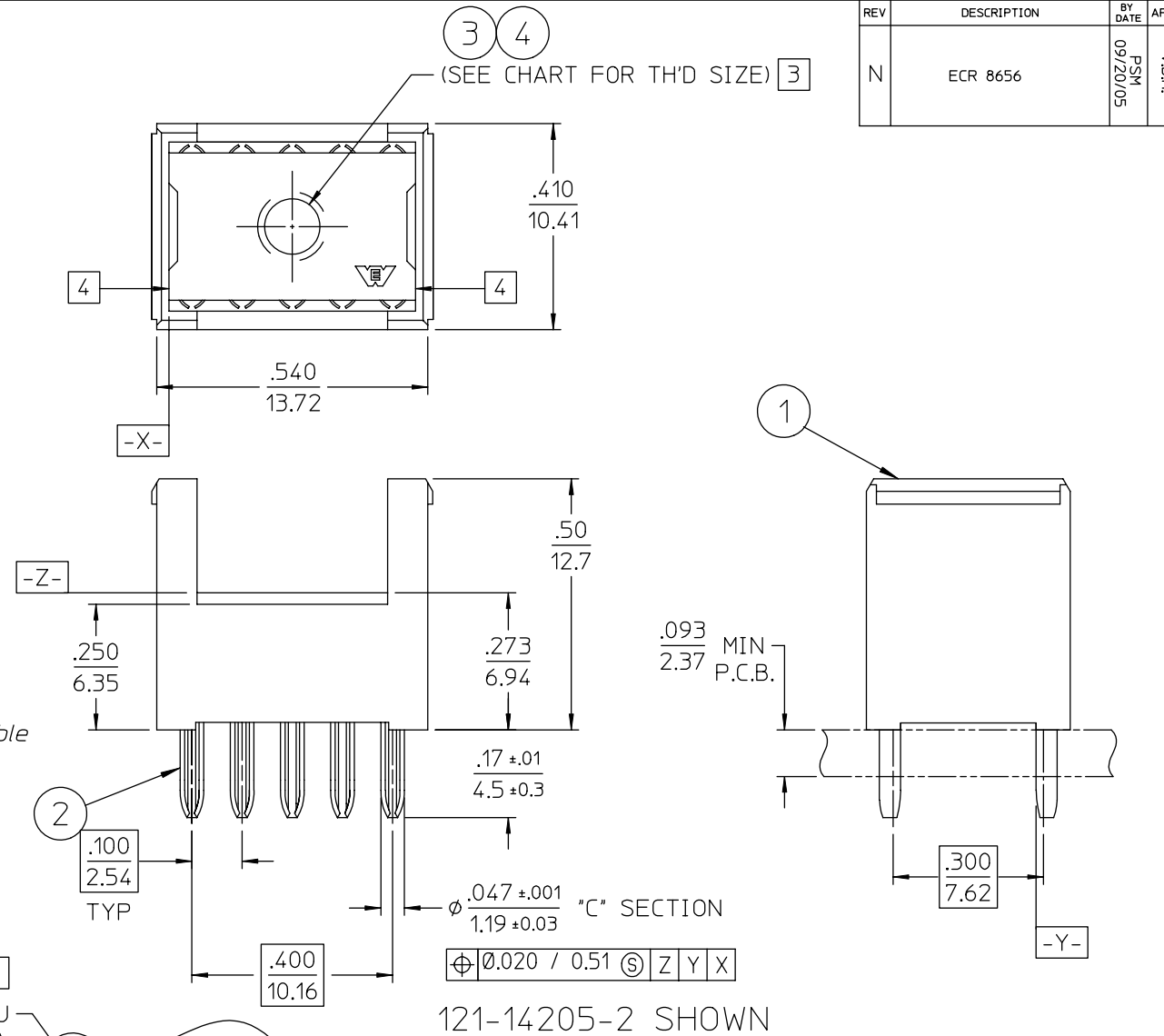
MATERIALS

- 1 Isolator ————— Nylon, UL 94V-0 Rated, Color: Natural
- 2 Power Terminal ————— Copper-Nickel-Tin Alloy, CDA 72500 Finish: Tin-Lead Plating or Pure Tin (RoHS) Per Catalog No. Table except per note 4
- 3 5 Screw (Not Shown) ————— Brass (SEE CHART)
- 3 5 4 Washer (Not Shown) ————— Brass (.22/5.6 O.D. X .038/0.97 Min. Thk.)
- 3 5 M4 Screw ————— Steel, Zinc Plated
- 6 Washer (Belleville) ————— Spring Steel, Unplated

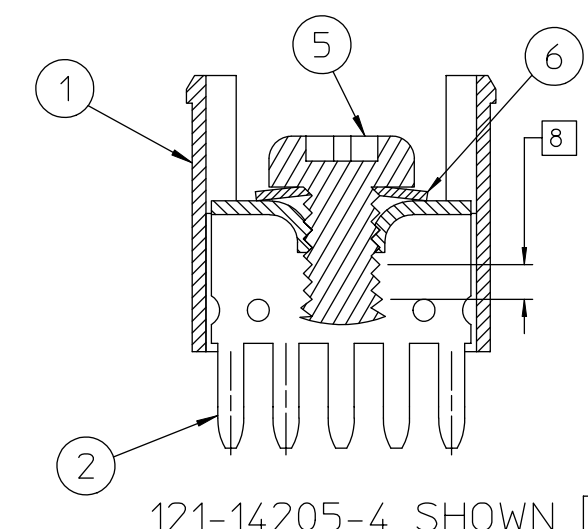
PERFORMANCE CHARACTERISTICS

- Insulation resistance ————— 5000 megohms min.
- Current rating, 10 Pin ————— 36 amp. @ 30°C rise
- Operating temperature range ————— -55°C to +105°C
- C-Press® Performance:
 - Maximum insertion force, 10 Pin ————— 400 lbs. max.
 - Minimum retention force, 10 Pin ————— 80 lbs. min.
 - Number of repair cycles without hole deformation or performance loss ————— 3
 - Contact to PTH electrical resistance — 2 milliohms max.

PLATED THRU HOLE TYP
 $\phi .040 \pm .003$
 1.02 ± 0.08
 $\phi 0.006/0.15$ (S) W



121-14205-2 SHOWN



121 SERIES

121-14205	-4	-04-260	M4 THREAD, WITH CAPTIVATED M4 SCREW AND WASHER	N / A	107-42486 (PRESS)	107-42055 (DRACON)
	-3	-03-260	M4 THREAD, WITHOUT SCREW			
	-2	-02-260	M3 THREAD, WITHOUT M3 SCREW	107-42503	107-42488 (DRACON)	
	-1	-01-260	#6-32 UNC-2B THREAD, WITH #6-32 UNC-2A SCREW & WASHER 5			
	(BLANK)	-00-260	#6-32 UNC-2B THREAD, WITHOUT SCREW			
TIN-LEAD PURE TIN (RoHS)						
CATALOG NO			DESCRIPTION	REMOVAL TOOL	INSERTION TOOL	IMPACT HANDLE

UNLESS OTHERWISE SPECIFIED: DIMENSIONS ARE IN INCHES, OR INCHES / MM		Litton	
TOLERANCES DECIMALS .xx ± .02 / 0.5 .xxx ± .005 / 0.13 ANGLES ±		Winchester Electronics 400 PARK ROAD WATERTOWN, CONNECTICUT 06795	
CUSTOMER DRAWING		TITLE POWER TERMINAL WITH ISOLATOR .100 X .300 GRID - 10 PIN	
DRAWN J.GATZURAS	DATE 08/20/83	CHECKED JAD	DATE 12/13/83
APPROVED JAD	DATE 12/14/83	APPROVED	DATE
C		14205	SHT. 1 OF 1
		REV. N	