

Terminations & Loads

Model 1442 High Power, N or SMK Connectors Convection Cooled

dc to 10 GHz
 100 Watts



Features

- /// **Compact Construction** - Lowest size/power ratio.
- /// **Rugged Construction** - Quality connector with special high temperature support bead.

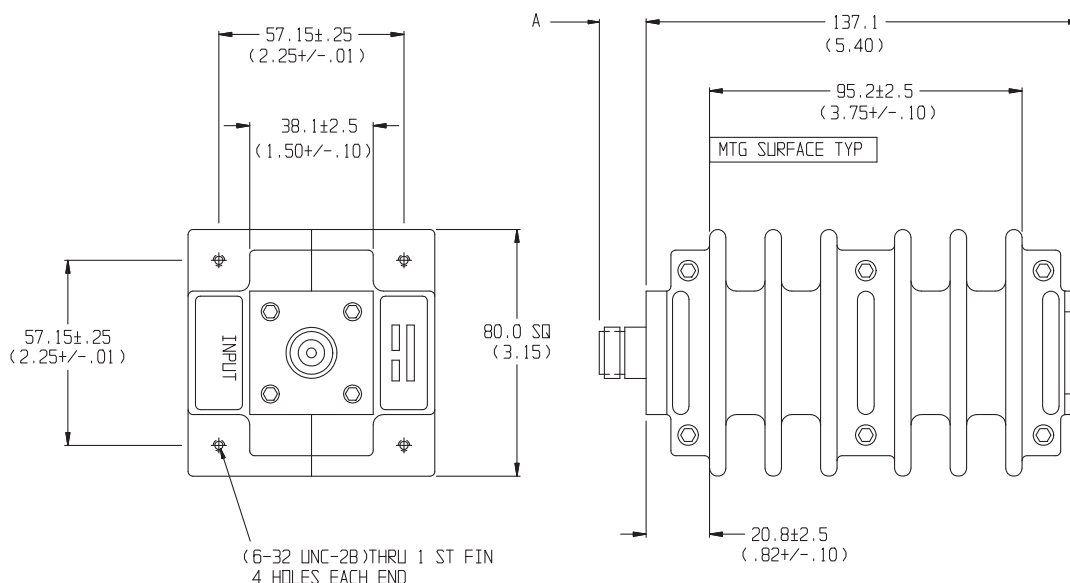
Specifications

NOMINAL IMPEDANCE: 50 Ω

FREQUENCY RANGE: dc to 10 GHz

POWER RATING (mounted horizontally with fins vertical): 100 watts **average** to 35°C ambient temperature, derated linearly to 10 watts @ 125°C. 5 kilowatts **peak** (5 μsec pulse width; 1.0% duty cycle).

PHYSICAL DIMENSIONS:



NOTE: All dimensions are given in mm (inches) and are maximum, unless otherwise specified.

MAXIMUM SWR:

| Frequency (GHz) | SWR |
|-----------------|------|
| dc - 4 | 1.20 |
| 4 - 10 | 1.30 |

TEMPERATURE RANGE: -55°C to +125°C

TEST DATA: Swept data plots of SWR from 50 MHz to 10 GHz is available at additional cost.

CONNECTOR: Type N connector per MIL-STD-348 interface dimensions - mate nondestructively with MIL-C-39012 connector. Choice of male (-4) or female connector (-3).

SMK (2.92mm) connector mates nondestructively with SMA per MIL-C-39012, 3.5mm and other 2.92mm (SMK) connector. Choice of male (-2) or female connector (-1).

CONSTRUCTION: Black, finned aluminum body, stainless steel connector; gold plated beryllium copper contact or stainless steel male contact.

WEIGHT: 1,130 g (2 lbs, 8 oz)

| Model # | DIM A | Connector Type |
|---------|-------------|----------------|
| 1442-1 | 12.7 (0.50) | 2.92mm female |
| 1442-2 | 14.0 (0.55) | 2.92mm male |
| 1442-3 | 15.0 (0.59) | N female |
| 1442-4 | 22.9 (0.90) | N male |