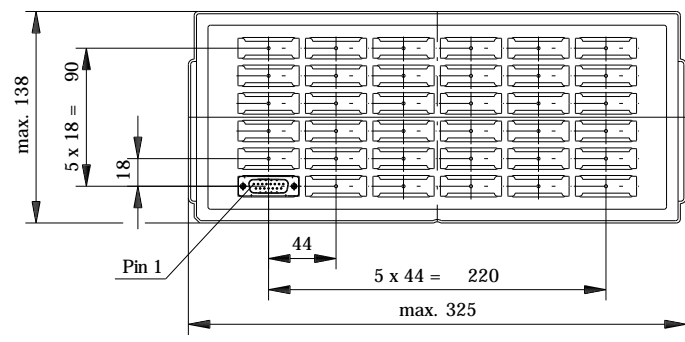


Anschlussbereich verzinkt
terminal area tin plating

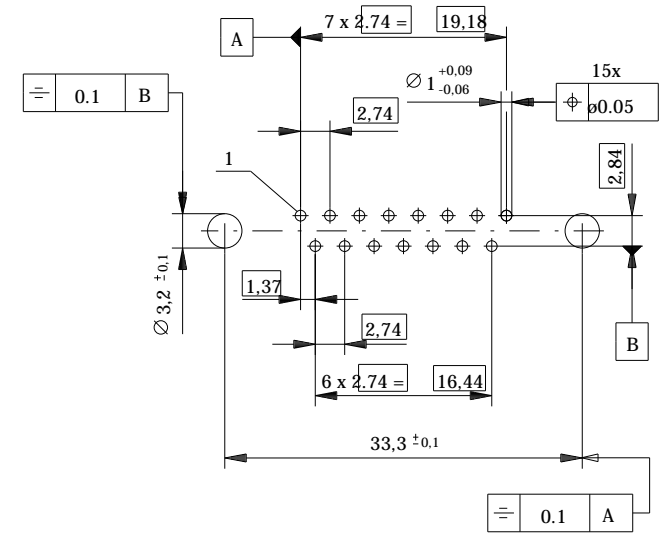
Anforderungsstufe: 2
class: 2

204319	ø3,5			
204323			#4-40	
204322			M 3	
214585			#4-40-M3	
204321		#4-40		
204320		M 3		
Ident-Nr part-no.	ohne without	Mutter thread	Bolzen bolt	Bemerkung remark



Verpackt in Tray
Verpackungseinheit 36 St.
tray packaging
packaging unit 36 pcs

Layout:



Loch Aufbau siehe ERNI-Spezifikation 114124 / hole design see ERNI-specification 114124

Fehlende Masse und Angaben siehe DIN 41652 / Missing information and dimensions according to DIN 41652

Sonstige Angaben siehe Fertigungsunterlagen / Additional indications please see the production documentation

Information:	Tolerances All Dimensions in mm	Scale 2:1
All rights reserved. Only for information. To insure that this is the latest version of this drawing, please contact one of the ERNI companies before using.	Subject to modification without prior notice. Drawing will not be updated.	Designation TMC-P 15-EESV-3,0-6,3-BA8 TMC-P 15-EESV-3,0-6,3-type 8
b Index	14.02.2005 Date	144945 TMCP

Consider protection memo from DIN 34

