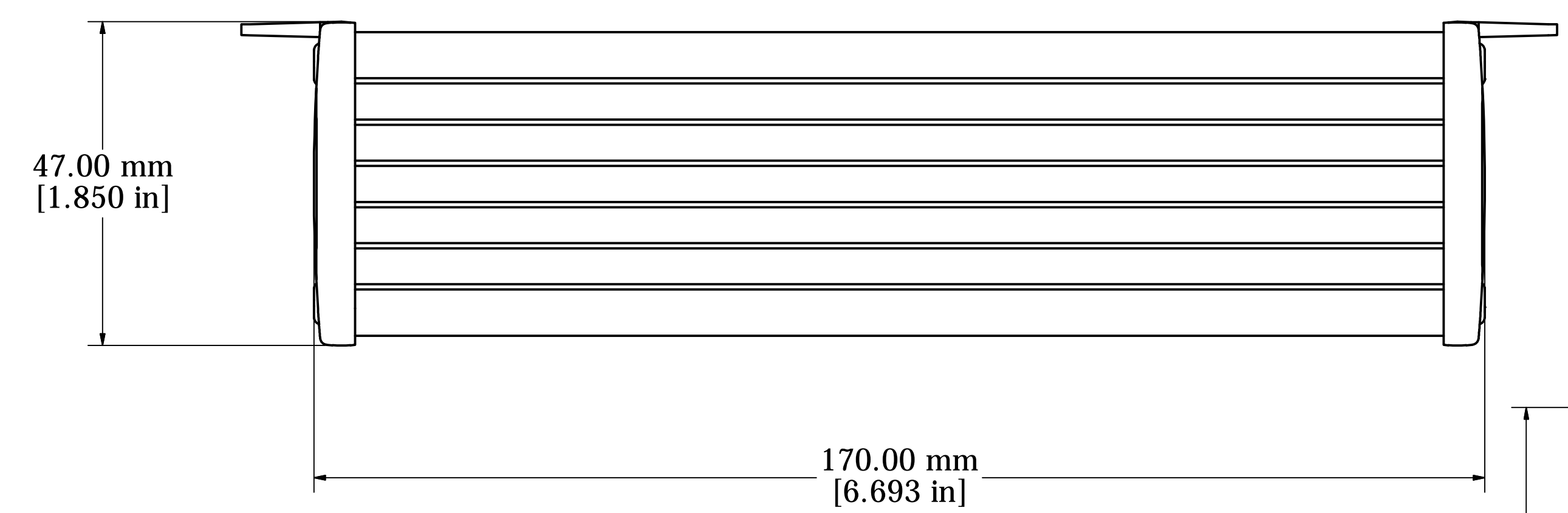
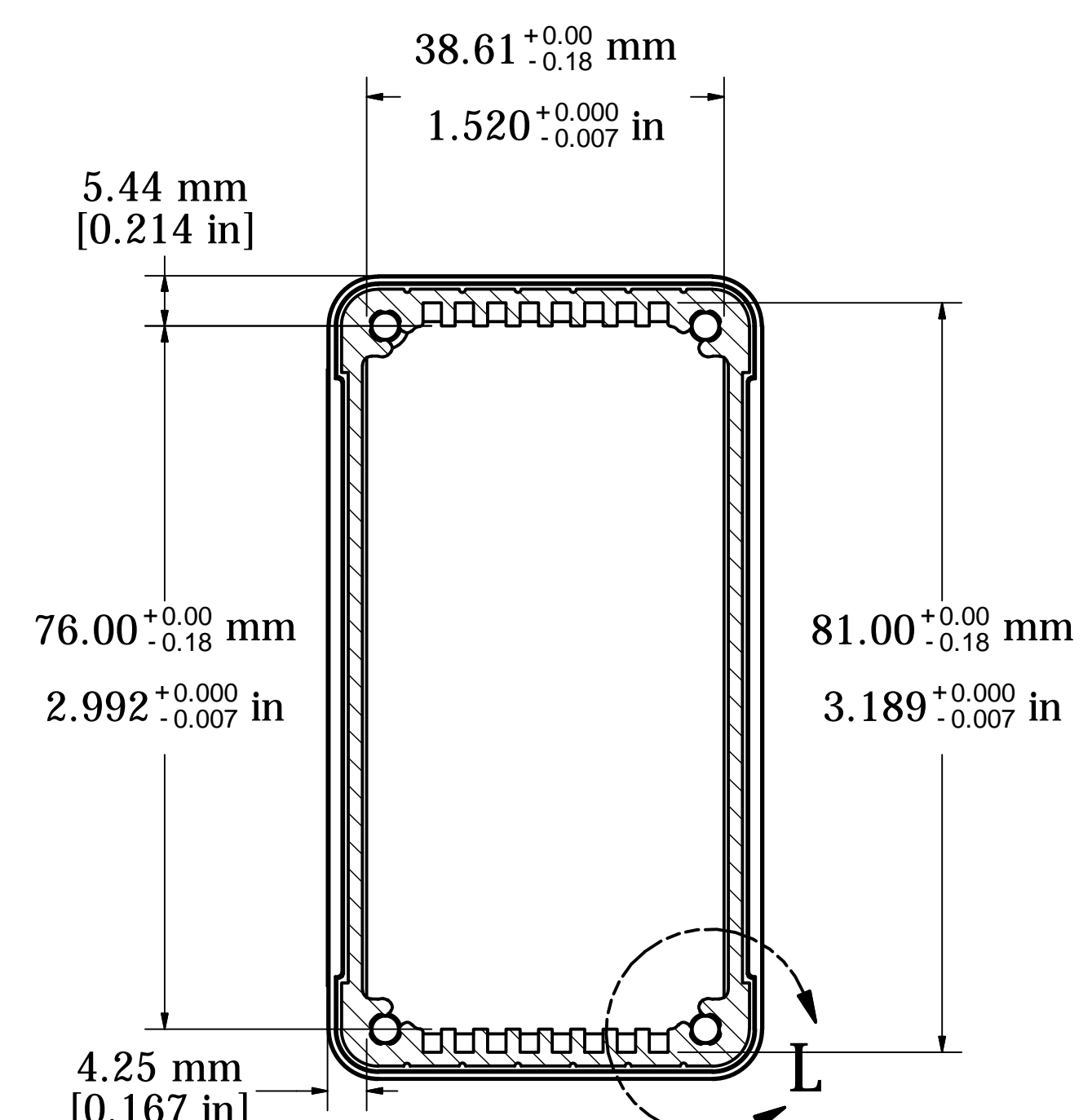


Inside Face to Face Dimension
ASSEMBLY - VIEW FROM TOP

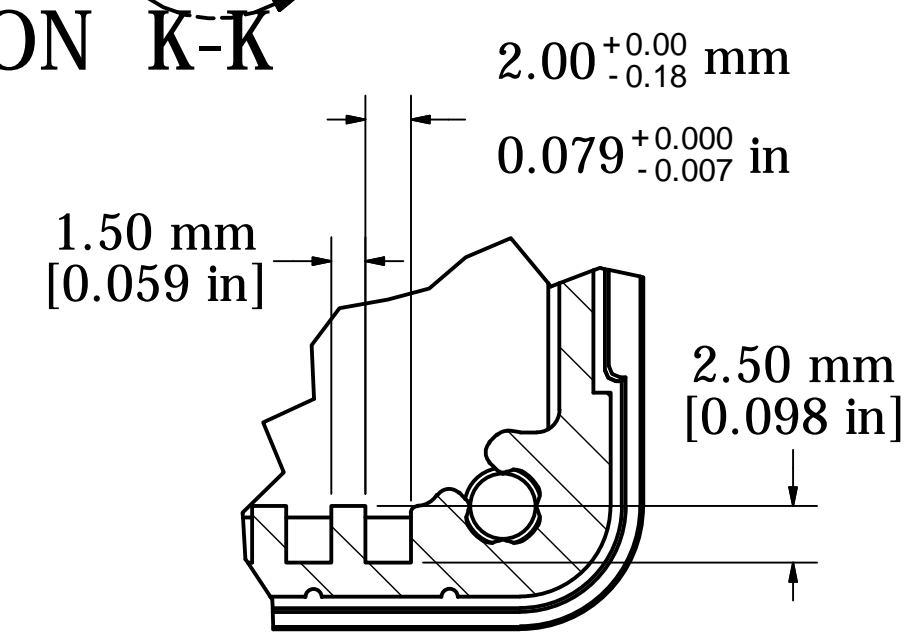


Fits 160mm (6.299") X 80mm (3.149") PCB
Note: Aluminum extrusion has a tolerance of $\pm .02$ "

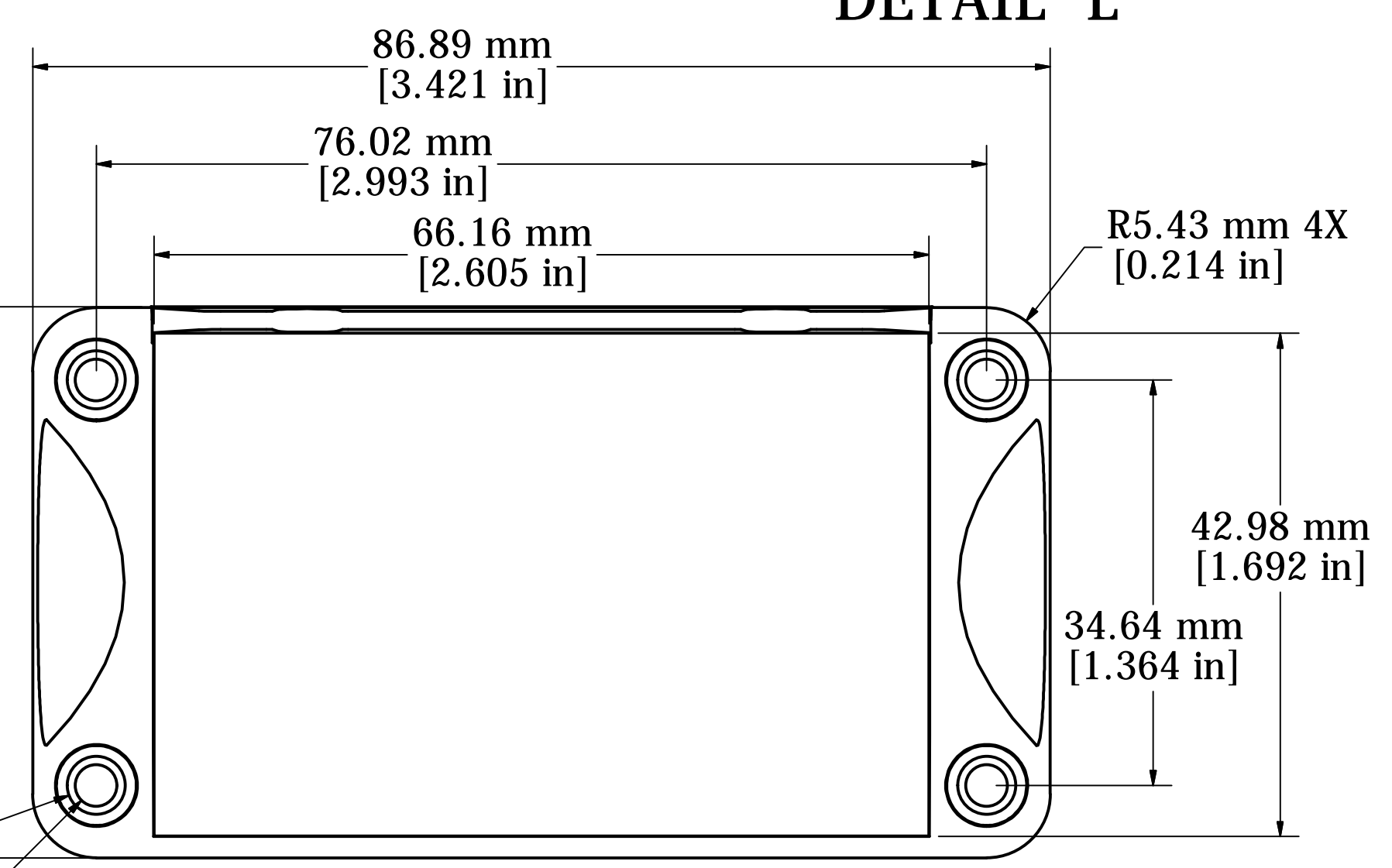
- n 5.00 mm x 0.60 mm 4X
- n 3.60 mm x 8.00 mm
- v n 7.00 mm x 2.50 mm 4X



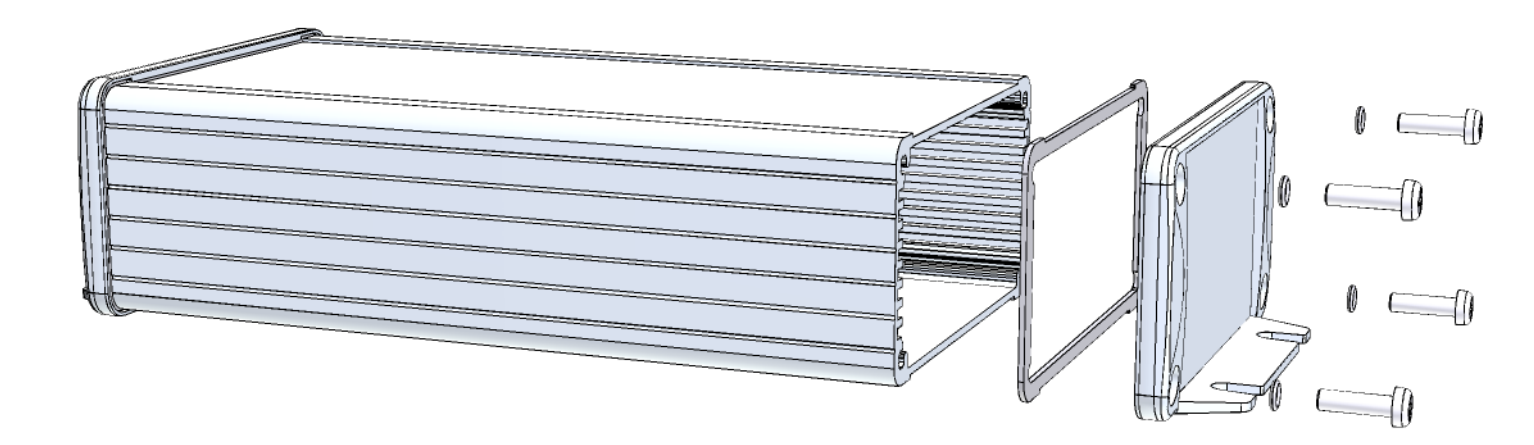
SECTION K-K



DETAIL L



END PANEL - VIEW FROM OUTSIDE



PROTECTION TO IP 65

Enclosures can be Factory Modified (Milling, Drilling, Printing etc.)
Contact Factory mjm@hammondmfg.com for quotes
Solid models of this enclosure available in STEP or IGES.

NOTE	
Purchased assembly includes box, end panels, stainless steel #6 Taptight screws, self adhesive rubber feet, gaskets and O-Rings.	
Box made from Extruded Aluminum 6063.	
End panels made from Type 380 Diecast Aluminum with a black powder paint finish.	
WATERPROOF 1457K1602	
PART NUMBERS	
Clear anodized box with black powder painted end panels	1457K1602
Black powder painted box and end panels	1457K1602BK
EMI/RFI SHIELDED (IP 54)	
Clear anodized box with black powder painted end panels	1457K1602E
Black powder painted box and end panels	1457K1602EBK
ACCESSORIES	
See website for accessories.	

HAMMOND MANUFACTURING™

1457K1602

www.hammondmfg.com