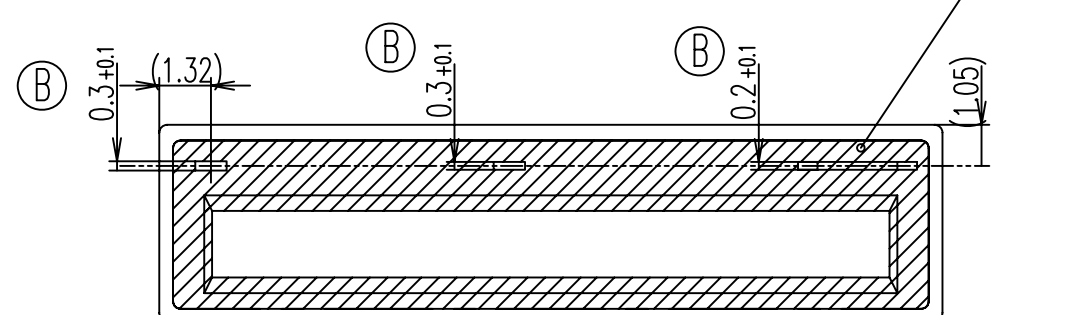
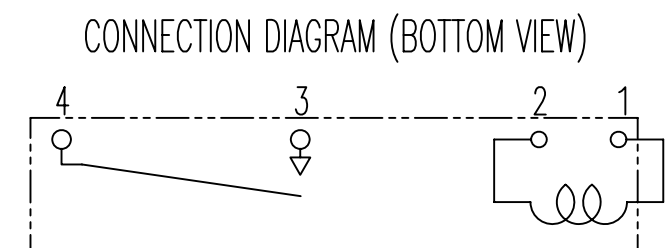
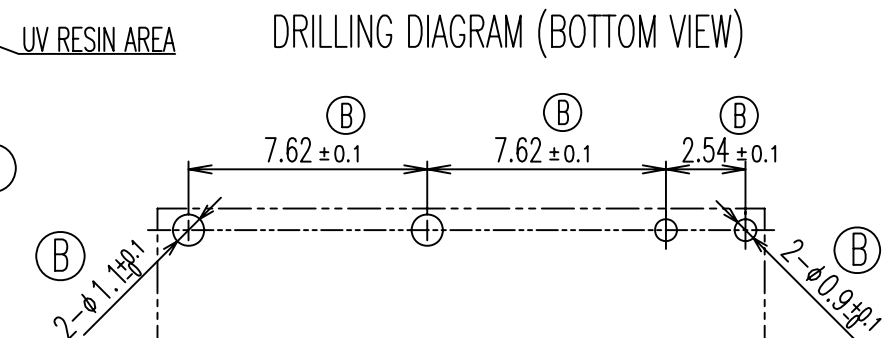
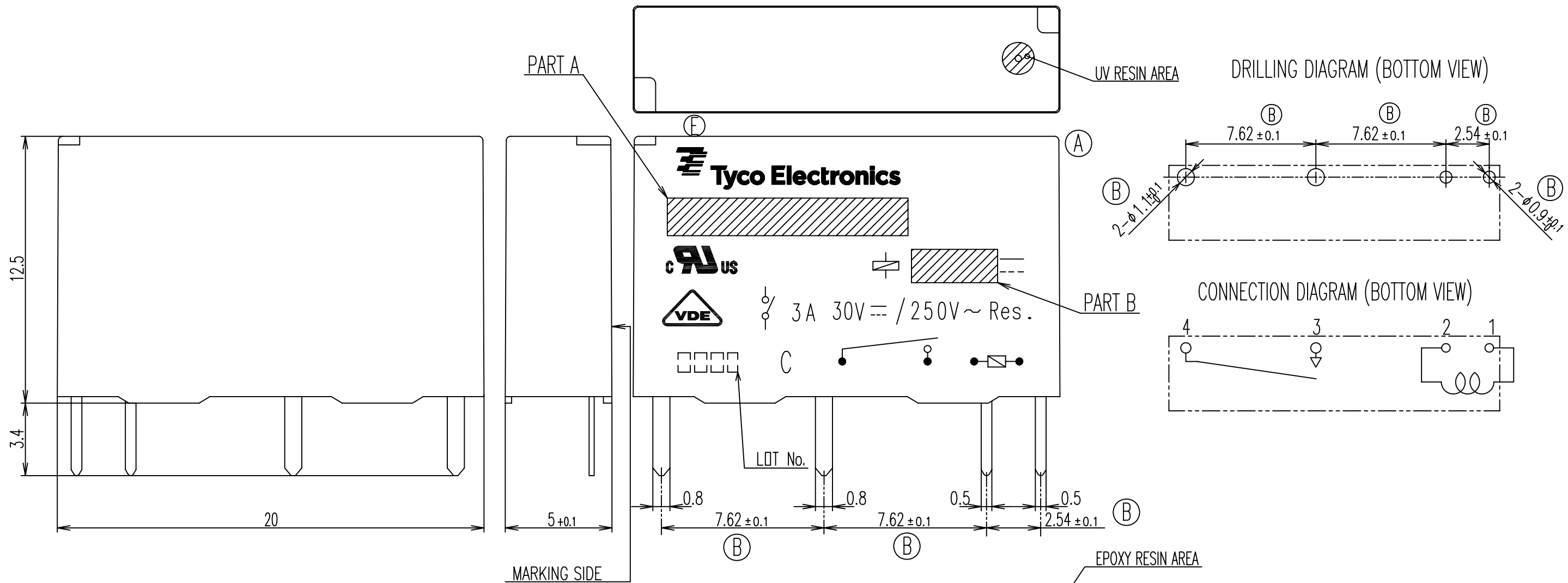


THIS DRAWING IS UNPUBLISHED. RELEASED FOR PUBLICATION  
 © COPYRIGHT BY TYCO ELECTRONICS CORPORATION. ALL RIGHTS RESERVED.

LOC HB DIST

REVISIONS

| P  | LTR | DESCRIPTION                               | ECN           | DATE      | DWN  | APVD |
|----|-----|---|---------------|-----------|------|------|
| C4 |     | SEPARATE TYPE                             | ECO-05-002901 | 31-MAY-05 | H.S  | A.N  |
| D  |     | CHANGE BASE,BOBBIN CASE AND CARD MATERIAL | ECO-07-022245 | 08-OCT-07 | FS.H | BH.Y |
| E  |     | USE NEW LOGO                              | ECO-08-020470 | 13-AUG-08 | FS.H | BH.Y |



- 1.TERMINAL DIMENSION IS AFTER SOLDER DIP
2. LOT NO.SYSTEM AS FOLLOWING;

0 2 0 1 I ...2 DIGITS FOR THE CHRISTIAN YEAR  
 I II 2007....07 2010....10  
 2008....08 2011....11  
 2009....09 20xx....xx  
 II ...2 DIGITS FOR WEEK MANUFACTURED AS  
 03.... 3 WEEKS IN 1 YEAR  
 04.... 4 WEEKS IN 1 YEAR  
 xx.... xx WEEKS IN 1 YEAR

| Diagram dimension | Tolerance |
|-------------------|-----------|
| 0.99mm max        | ±0.1mm    |
| 1 - 2.99mm        | ±0.2mm    |
| 3mm min           | ±0.3mm    |

THIS DRAWING IS A CONTROLLED DOCUMENT FOR TYCO ELECTRONICS CORPORATION  
 IT IS SUBJECT TO CHANGE AND THE CONTROLLING ENGINEERING ORGANIZATION  
 SHOULD BE CONTACTED FOR THE LATEST REVISION.

| DIMENSIONS:<br>mm | TOLERANCES UNLESS<br>OTHERWISE SPECIFIED: |
|-------------------|---|
|                   | 0 PLC ±                                   |
|                   | 1 PLC ±                                   |
|                   | 2 PLC ±                                   |
|                   | 3 PLC ±                                   |
|                   | 4 PLC ±                                   |
| ANGLES ±          |   |
| MATERIAL          | FINISH                                    |
| -                 | -   |

|                  |                  |
|------------------|------------------|
| DWN              | M.MOCHIZUKI      |
| CHK              | Y.OKAMOTO        |
| APVD             | A.NAGAI          |
| PRODUCT SPEC     | SEE PRODUCT SPEC |
| APPLICATION SPEC | -                |
| WEIGHT           | -                |
| CUSTOMER DRAWING |                  |

**Tyco Electronics** Tyco Electronics Corporation  
 Shenzhen,China

| NAME                       |           |            |     | RESTRICTED TO |  |
|----------------------------|-----------|------------|-----|---------------|--|
| PCN-D3M** CUSTOMER DRAWING |           |            |     | -             |  |
| SIZE                       | CAGE CODE | DRAWING NO |     |               |  |
| A3                         | 00779     | 1461491    |     |               |  |
| SCALE                      | SHEET     | 1 OF 3     | REV | E             |  |



4

3

2

1

THIS DRAWING IS UNPUBLISHED.

RELEASED FOR PUBLICATION

© COPYRIGHT

BY TYCO ELECTRONICS CORPORATION. ALL RIGHTS RESERVED.

LOC  
HB

DIST

REVISIONS

| P | LTR | DESCRIPTION | ECN | DATE | DWN | APVD |
|---|-----|-------------|-----|------|-----|------|
|   |     |             |     |      |     |      |

| ITEM     | DESCRIPTION | PART A       | PART B           | TE PART NO  | PACKING SPECIFICATION | PRODUCT SPEC | DISCRIPTION | No. |
|----------|-------------|--------------|------------------|-------------|-----------------------|--------------|-------------|-----|
| (C4)(B3) | 24V         | PCN-124D3MHZ | PCN-124D3MHZ,001 | 7-1461491-6 | 107-79043 (TRAY)      |              |             |     |
| (C4)(B3) | 4.5V        | PCN-104D3MHZ | PCN-104D3MHZ,001 | 7-1461491-5 | 107-79043 (TRAY)      |              |             |     |
|          | 24V         | PCN-124D3MHZ | PCN-124D3MHZ     | 7-1461491-4 | 107-79043 (TRAY)      | 108-79629    |             |     |
|          | 23.5V       | PCN-123D3MHZ | PCN-123D3MHZ     | 7-1461491-3 | 107-79043 (TRAY)      | 108-79628    |             |     |
|          | 18V         | PCN-118D3MHZ | PCN-118D3MHZ     | 7-1461491-2 | 107-79043 (TRAY)      | 108-79627    |             |     |
|          | 12V         | PCN-112D3MHZ | PCN-112D3MHZ     | 7-1461491-1 | 107-79043 (TRAY)      | 108-79626    |             |     |
|          | 9V          | PCN-109D3MHZ | PCN-109D3MHZ     | 7-1461491-0 | 107-79043 (TRAY)      | 108-79625    |             |     |
|          | 6V          | PCN-106D3MHZ | PCN-106D3MHZ     | 6-1461491-9 | 107-79043 (TRAY)      | 108-79624    |             |     |
|          | 5V          | PCN-105D3MHZ | PCN-105D3MHZ     | 6-1461491-8 | 107-79043 (TRAY)      | 108-79623    |             |     |
|          | 4.5V        | PCN-104D3MHZ | PCN-104D3MHZ     | 6-1461491-7 | 107-79043 (TRAY)      | 108-79622    |             |     |
|          | 3V          | PCN-103D3MHZ | PCN-103D3MHZ     | 6-1461491-6 | 107-79043 (TRAY)      | 108-79621    |             |     |
|          | 24V         | PCN-124D3MZ  | PCN-124D3MZ      | 6-1461491-5 | 107-79043 (TRAY)      | 108-79620    |             |     |
|          | 23.5V       | PCN-123D3MZ  | PCN-123D3MZ      | 6-1461491-4 | 107-79043 (TRAY)      | 108-79619    |             |     |
|          | 18V         | PCN-118D3MZ  | PCN-118D3MZ      | 6-1461491-3 | 107-79043 (TRAY)      | 108-79618    |             |     |
|          | 12V         | PCN-112D3MZ  | PCN-112D3MZ      | 6-1461491-2 | 107-79043 (TRAY)      | 108-79617    |             |     |
|          | 9V          | PCN-109D3MZ  | PCN-109D3MZ      | 6-1461491-1 | 107-79043 (TRAY)      | 108-79616    |             |     |
|          | 6V          | PCN-106D3MZ  | PCN-106D3MZ      | 6-1461491-0 | 107-79043 (TRAY)      | 108-79615    |             |     |
|          | 5V          | PCN-105D3MZ  | PCN-105D3MZ      | 5-1461491-9 | 107-79043 (TRAY)      | 108-79614    |             |     |
|          | 4.5V        | PCN-104D3MZ  | PCN-104D3MZ      | 5-1461491-8 | 107-79043 (TRAY)      | 108-79613    |             |     |
|          | 3V          | PCN-103D3MZ  | PCN-103D3MZ      | 5-1461491-7 | 107-79043 (TRAY)      | 108-79612    |             |     |

REINFORCED  
INSURATION  
WASHABLE  
TYPE

D

REINFORCED  
INSURATION  
PLASTIC SEALED  
TYPE

C

| PART B | PART A | DESCRIPTION | TE PART NO  | PACKING SPECIFICATION | PRODUCT SPEC | DISCRIPTION      | No.       |
|--------|--------|-------------|-------------|-----------------------|--------------|------------------|-----------|
|        |        | 24V         | PCN-124D3MH | PCN-124D3MH           | 5-1461491-6  | 107-79043 (TRAY) | 108-79611 |
|        |        | 23.5V       | PCN-123D3MH | PCN-123D3MH           | 5-1461491-5  | 107-79043 (TRAY) | 108-79610 |
|        |        | 18V         | PCN-118D3MH | PCN-118D3MH           | 5-1461491-4  | 107-79043 (TRAY) | 108-79609 |
|        |        | 12V         | PCN-112D3MH | PCN-112D3MH           | 5-1461491-3  | 107-79043 (TRAY) | 108-79608 |
|        |        | 9V          | PCN-109D3MH | PCN-109D3MH           | 5-1461491-2  | 107-79043 (TRAY) | 108-79607 |
|        |        | 6V          | PCN-106D3MH | PCN-106D3MH           | 5-1461491-1  | 107-79043 (TRAY) | 108-79606 |
|        |        | 5V          | PCN-105D3MH | PCN-105D3MH           | 5-1461491-0  | 107-79043 (TRAY) | 108-79605 |
|        |        | 4.5V        | PCN-104D3MH | PCN-104D3MH           | 4-1461491-9  | 107-79043 (TRAY) | 108-79604 |
|        |        | 3V          | PCN-103D3MH | PCN-103D3MH           | 4-1461491-8  | 107-79043 (TRAY) | 108-79603 |
|        |        | 24V         | PCN-124D3M  | PCN-124D3M            | 4-1461491-7  | 107-79043 (TRAY) | 108-79602 |
|        |        | 23.5V       | PCN-123D3M  | PCN-123D3M            | 4-1461491-6  | 107-79043 (TRAY) | 108-79601 |
|        |        | 18V         | PCN-118D3M  | PCN-118D3M            | 4-1461491-5  | 107-79043 (TRAY) | 108-79600 |
|        |        | 12V         | PCN-112D3M  | PCN-112D3M            | 4-1461491-4  | 107-79043 (TRAY) | 108-79599 |
|        |        | 9V          | PCN-109D3M  | PCN-109D3M            | 4-1461491-3  | 107-79043 (TRAY) | 108-79598 |
|        |        | 6V          | PCN-106D3M  | PCN-106D3M            | 4-1461491-2  | 107-79043 (TRAY) | 108-79597 |
|        |        | 5V          | PCN-105D3M  | PCN-105D3M            | 4-1461491-1  | 107-79043 (TRAY) | 108-79596 |
|        |        | 4.5V        | PCN-104D3M  | PCN-104D3M            | 4-1461491-0  | 107-79043 (TRAY) | 108-79595 |
|        |        | 3V          | PCN-103D3M  | PCN-103D3M            | 3-1461491-9  | 107-79043 (TRAY) | 108-79594 |

STANDARD  
INSURATION  
WASHABLE  
TYPE

B

STANDARD  
INSURATION  
PLASTIC SEALED  
TYPE

A

|        |                     |           |
|--------|---------------------|-----------|
| 15     | UV RESIN            | (B3) (B1) |
| (D) 14 | CASE (NATURAL)      |           |
|        | CASE (BLACK)        |           |
| 13     | EPOXY               |           |
| 12     | MAGNETIC WIRE       |           |
| (D) 11 | CARD (NATURAL)      |           |
|        | CARD (BLACK)        |           |
| 10     | ARMATURE            |           |
| 9      | STATIONARY CONTACT  |           |
| 8      | STATIONARY TERMINAL |           |
| 7      | MOVABLE CONTACT     |           |
| 6      | MOVABLE TERMINAL    |           |
| (D) 5  | BASE (NATURAL)      |           |
|        | BASE (BLACK)        |           |
| 4      | CORE                |           |
| 3      | COIL TERMINAL B     |           |
| 2      | COIL TERMINAL A     |           |
| (D) 1  | BOBBIN (BLACK ONLY) |           |
| ITEM   | DESCRIPTION         |           |

MOLD COLOR

NATURAL: REINFORCED INSURATION MODEL

強化絶縁品 (IEC1131-2 Conformed)

BLACK: BASIC INSURATION MODEL

基礎絶縁品 (IEC1131-2 Conformed)

PARTS LIST

THIS DRAWING IS A CONTROLLED DOCUMENT FOR TYCO ELECTRONICS CORPORATION  
IT IS SUBJECT TO CHANGE AND THE CONTROLLING ENGINEERING ORGANIZATION  
SHOULD BE CONTACTED FOR THE LATEST REVISION.DIMENSIONS:  
mm

TOLERANCES UNLESS  
OTHERWISE SPECIFIED:

|        |   |
|--------|---|
| 0 PLC  | ± |
| 1 PLC  | ± |
| 2 PLC  | ± |
| 3 PLC  | ± |
| 4 PLC  | ± |
| ANGLES | ± |

MATERIAL

FINISH

DWN

CHK

APVD

PRODUCT SPEC

APPLICATION SPEC

WEIGHT

Tyco Electronics Corporation  
Shenzhen, China

NAME

PCN-D3M\*\* CUSTOMER DRAWING

SIZE

CAGE CODE

DRAWING NO

RESTRICTED TO

A3

00779

C-

1461491

-

CUSTOMER DRAWING

SCALE 5 : 1

SHEET 3 OF 3

REV E