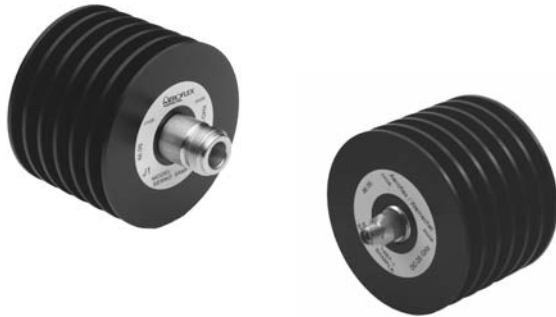


# Terminations & Loads

## Model 1467 Medium Power, N & 3.5mm Connectors Convection Cooled

dc to 18.0 GHz  
50 Watts

**RoHS**



**CONNECTOR:** Type N connector per MIL-STD-348 interface dimensions - mate nondestructively with MIL-C-39012 connector. Choice of male (-4) or female connector (-3).

3.5mm connector mate nondestructively with SMA per MIL-C-39012, 2.92mm, 3.5mm and other SMA connectors. Choice of male (-2) or female connector (-1).

**CONSTRUCTION:** Black, finned aluminum body, stainless steel connector; gold plated beryllium copper contacts.

**WEIGHT:** 100 g (3.5 oz)

**PHYSICAL DIMENSIONS:**

### Features

- /// Designed to meet environmental requirements of MIL-D-39030.
- /// Useable to 20 GHz.
- /// Rugged injection molded connector.
- /// 1 Kilowatt Peak Power

### Specifications

**NOMINAL IMPEDANCE:** 50 Ω

**FREQUENCY RANGE:** dc to 20.0 GHz

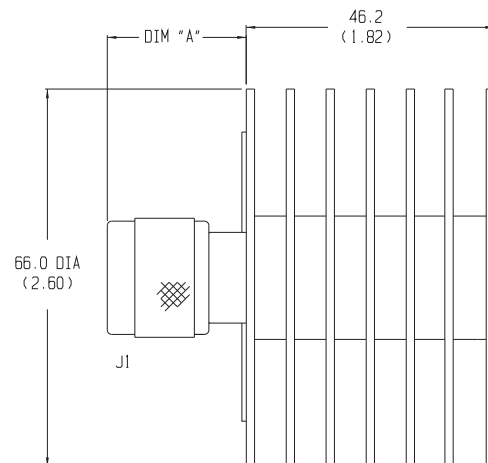
#### MAXIMUM SWR:

Frequency (GHz)	SWR (maximum)
dc - 18.0	1.15

**POWER RATING (mounted horizontally):** 50 watts **average** to 25°C ambient temperature, derated linearly to 5 Watts @ 125°C. 1 kW **peak** (5 μsec pulse width; 2.5% duty cycle).

**TEMPERATURE RANGE:** -55 °C to 125 °C

**TEST DATA:** Swept data plots of SWR from 50 MHz to 20 GHz is available at additional cost .



Connector	DIM A	Connector	DIM A
N Male	24.1 (0.95)	3.5mm Female	14.0 (0.55)
N Female	19.0 (0.75)	3.5mm Male	13.2 (0.52)

NOTE: All dimensions are given in mm (inches) and are maximum, unless otherwise specified.