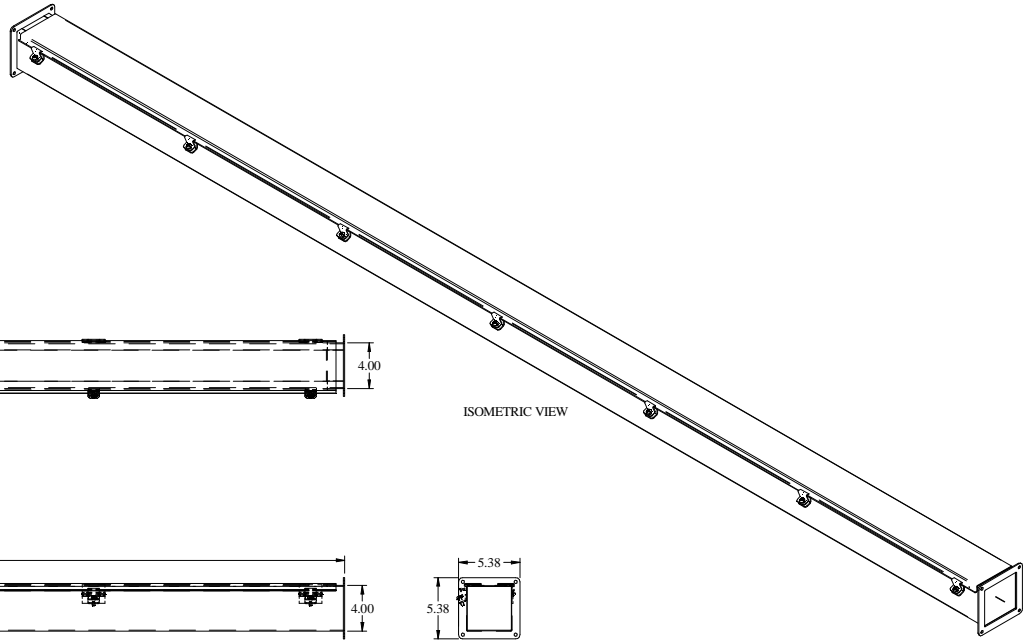


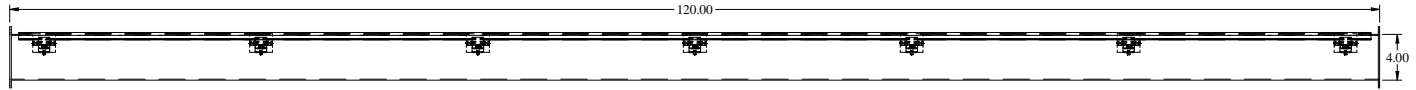
 **PART No. 1487C120SS**  
for more information visit  
[www.hammondmg.com](http://www.hammondmg.com)  
Data subject to change without notice  
Isometric drawing Not to Scale



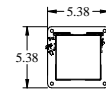
ISOMETRIC VIEW



TOP VIEW



SIDE VIEW



END VIEW