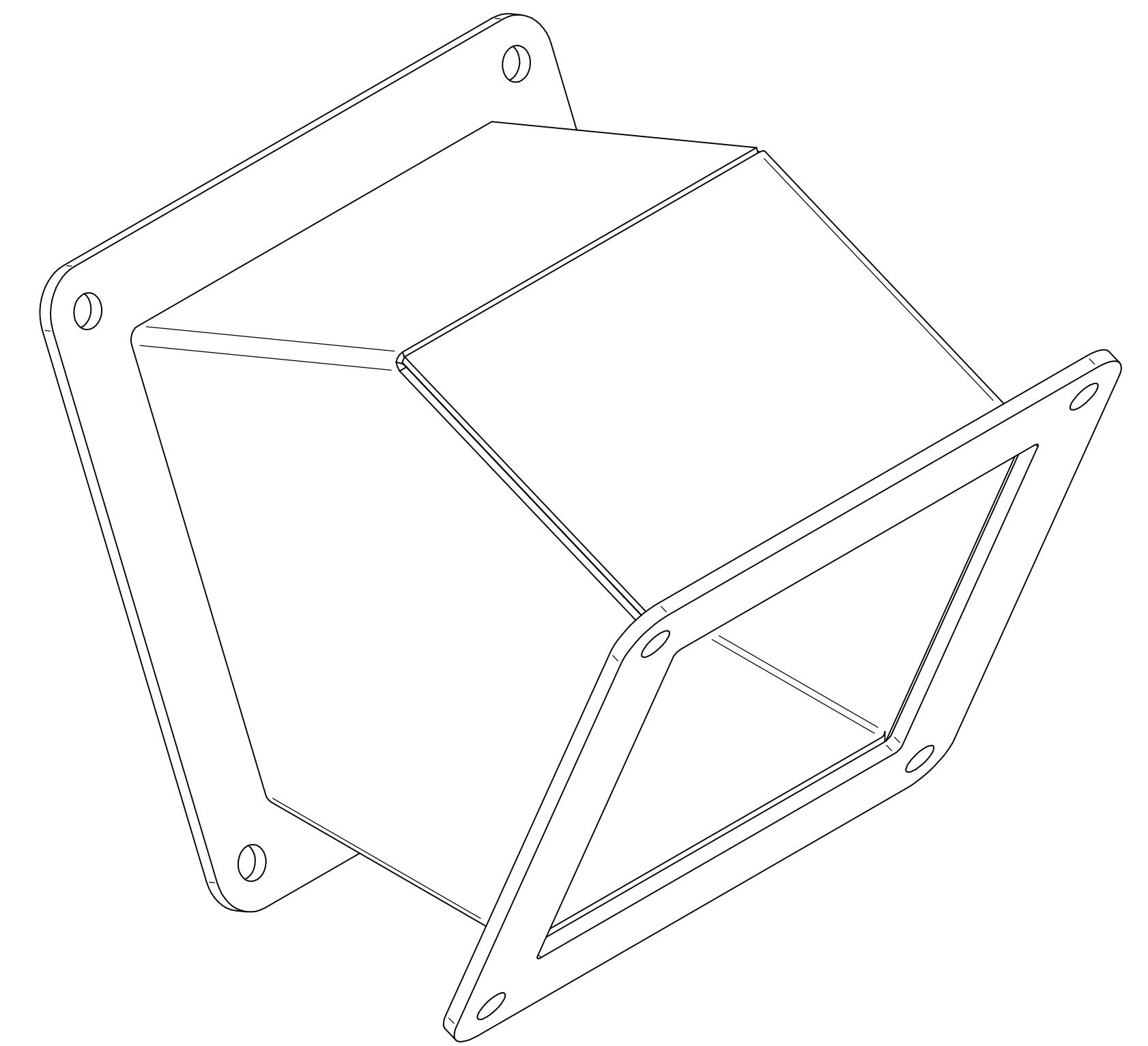


PART No. 1487C4PSS

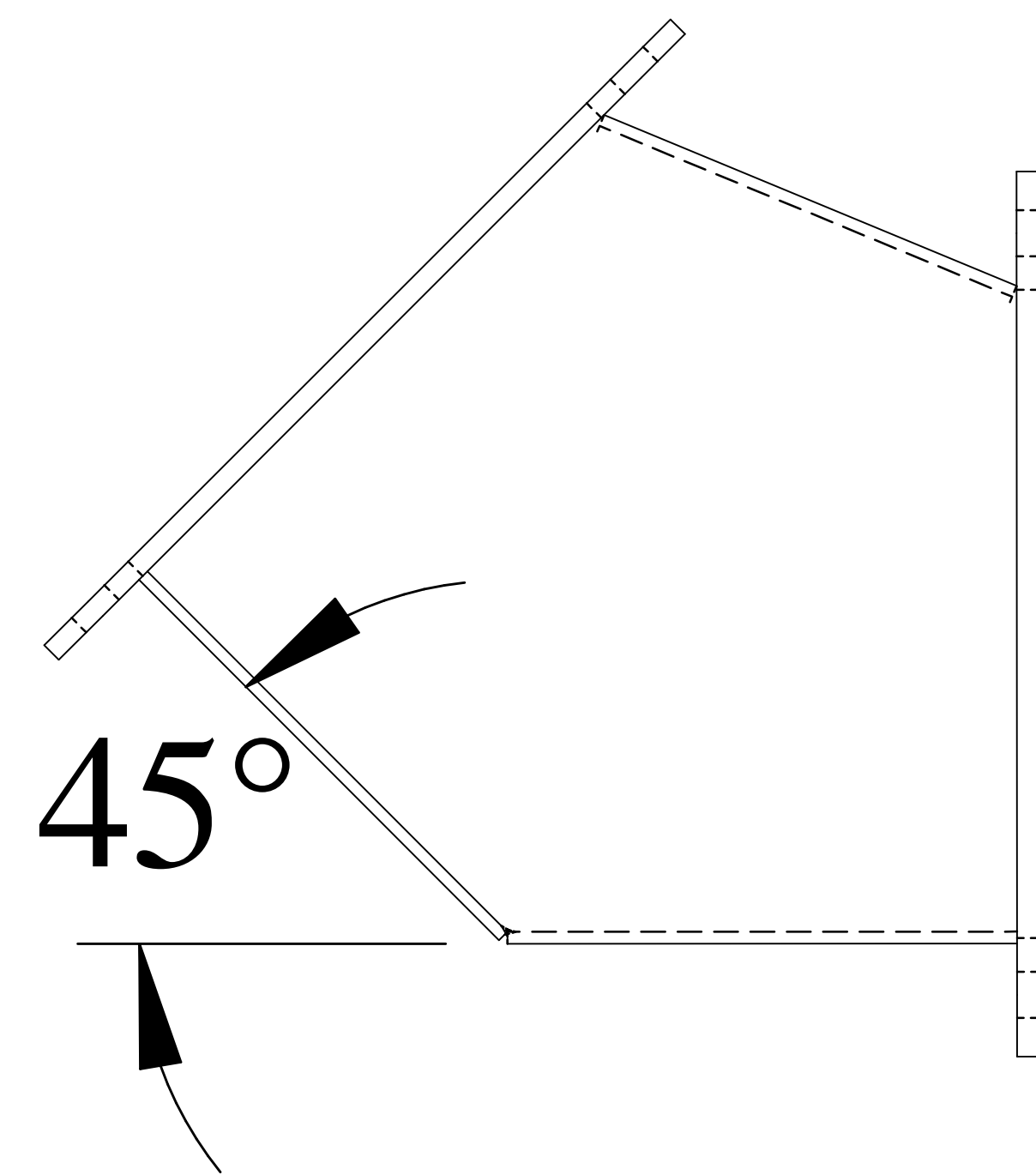
for more information visit
www.hammondmfg.com

Data subject to change without notice

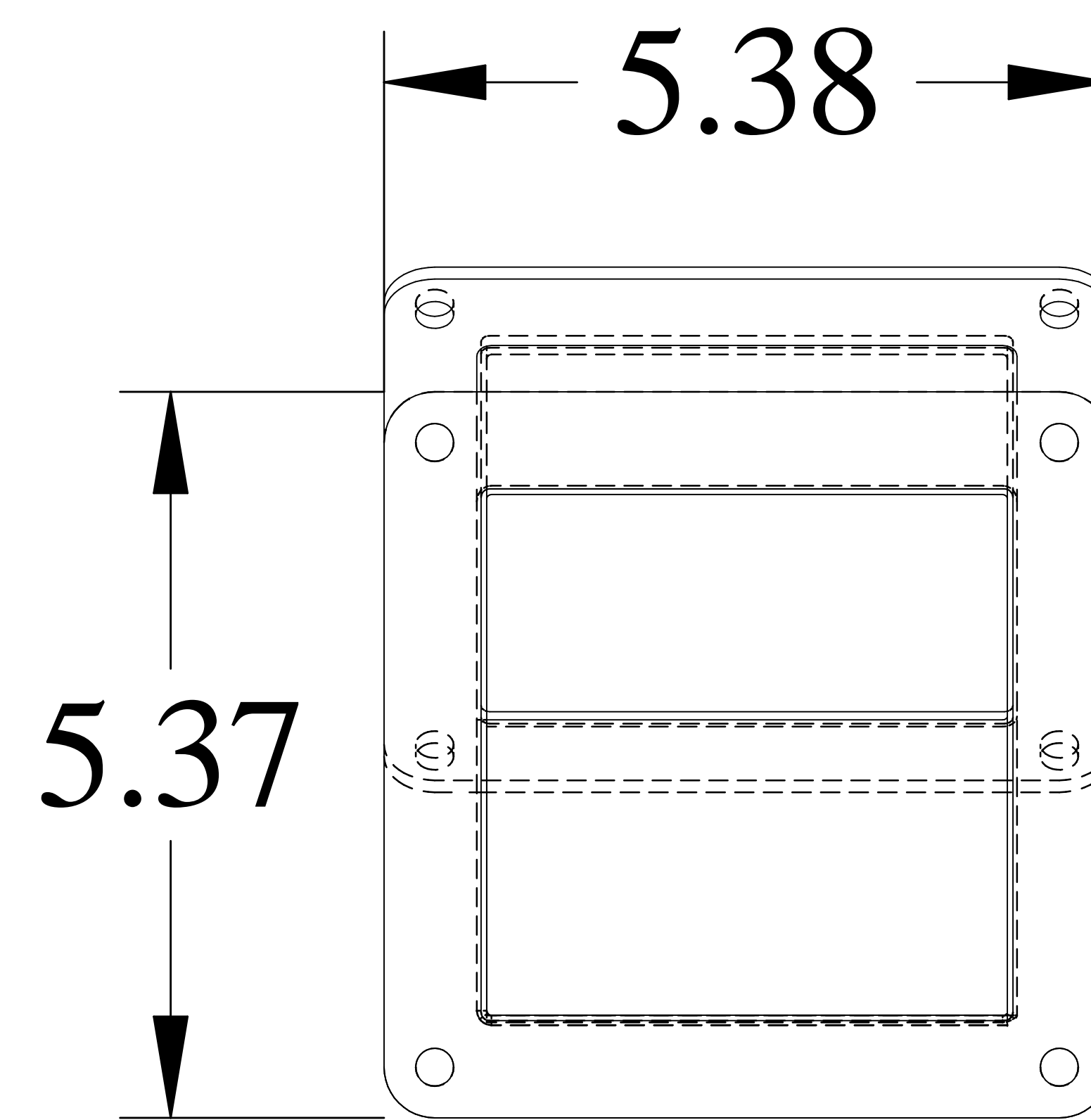
Isometric drawing Not to Scale



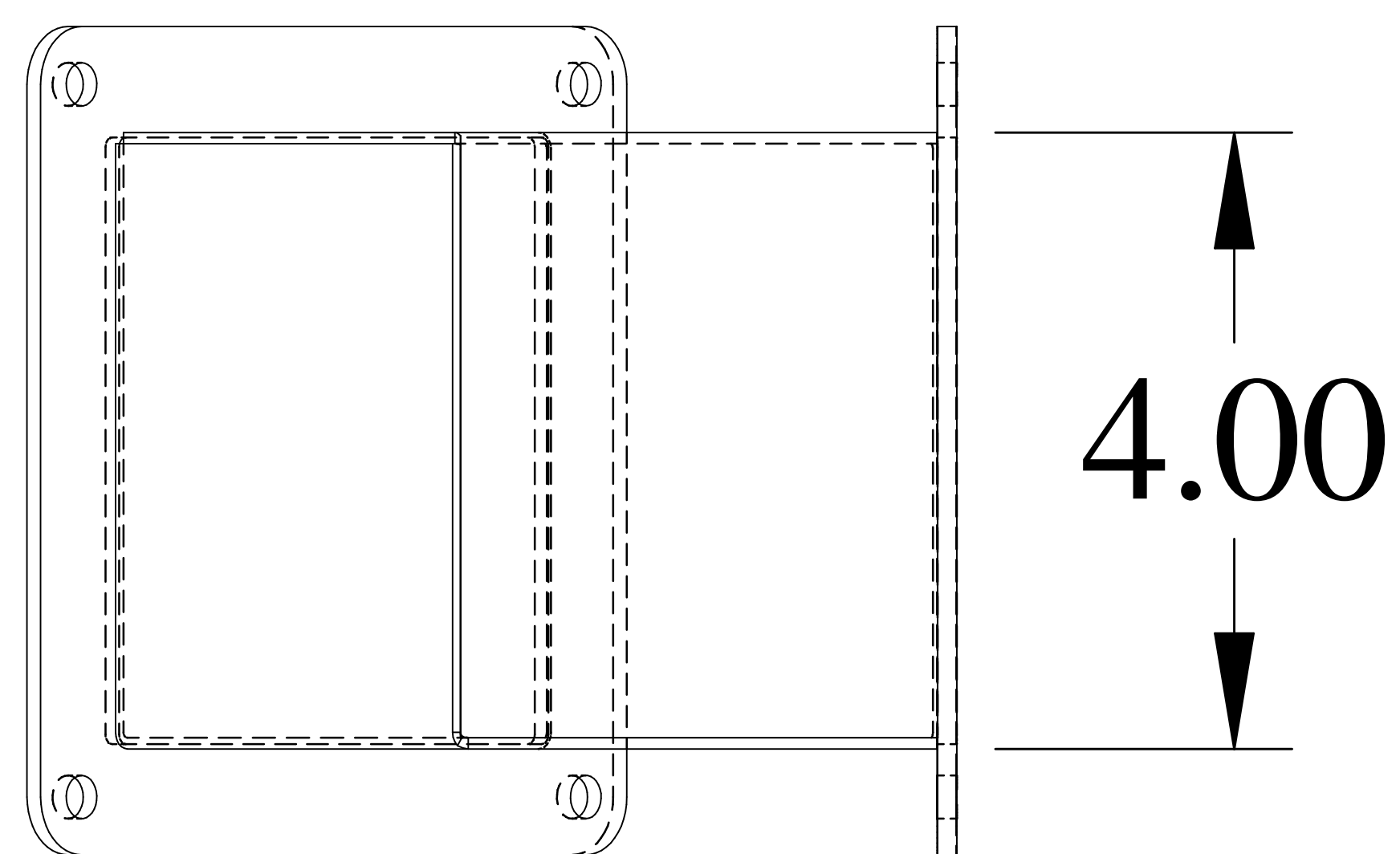
ISOMETRIC VIEW



TOP VIEW



END VIEW



FRONT VIEW