

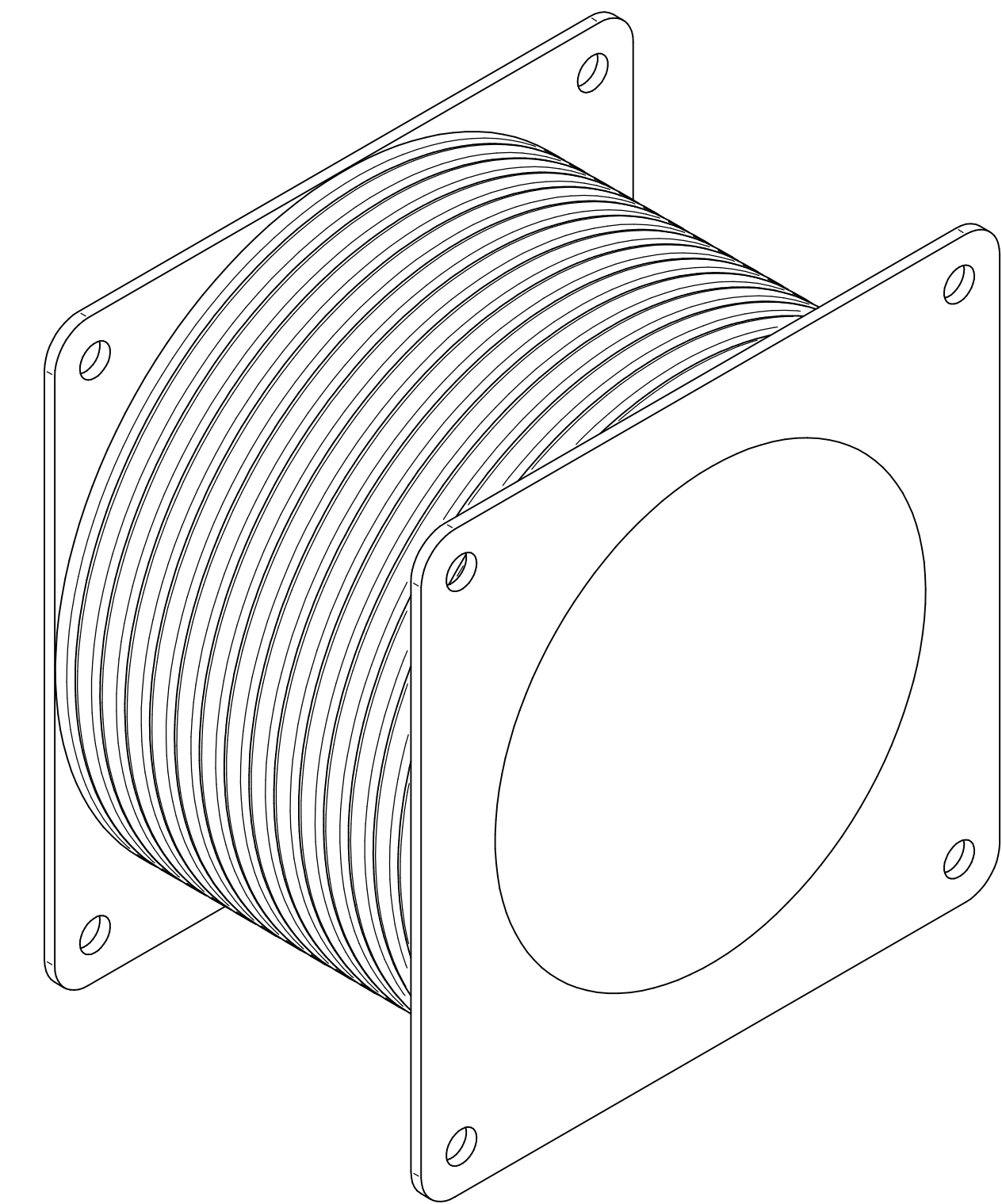
PART No. 1487CFFSS

for more information visit

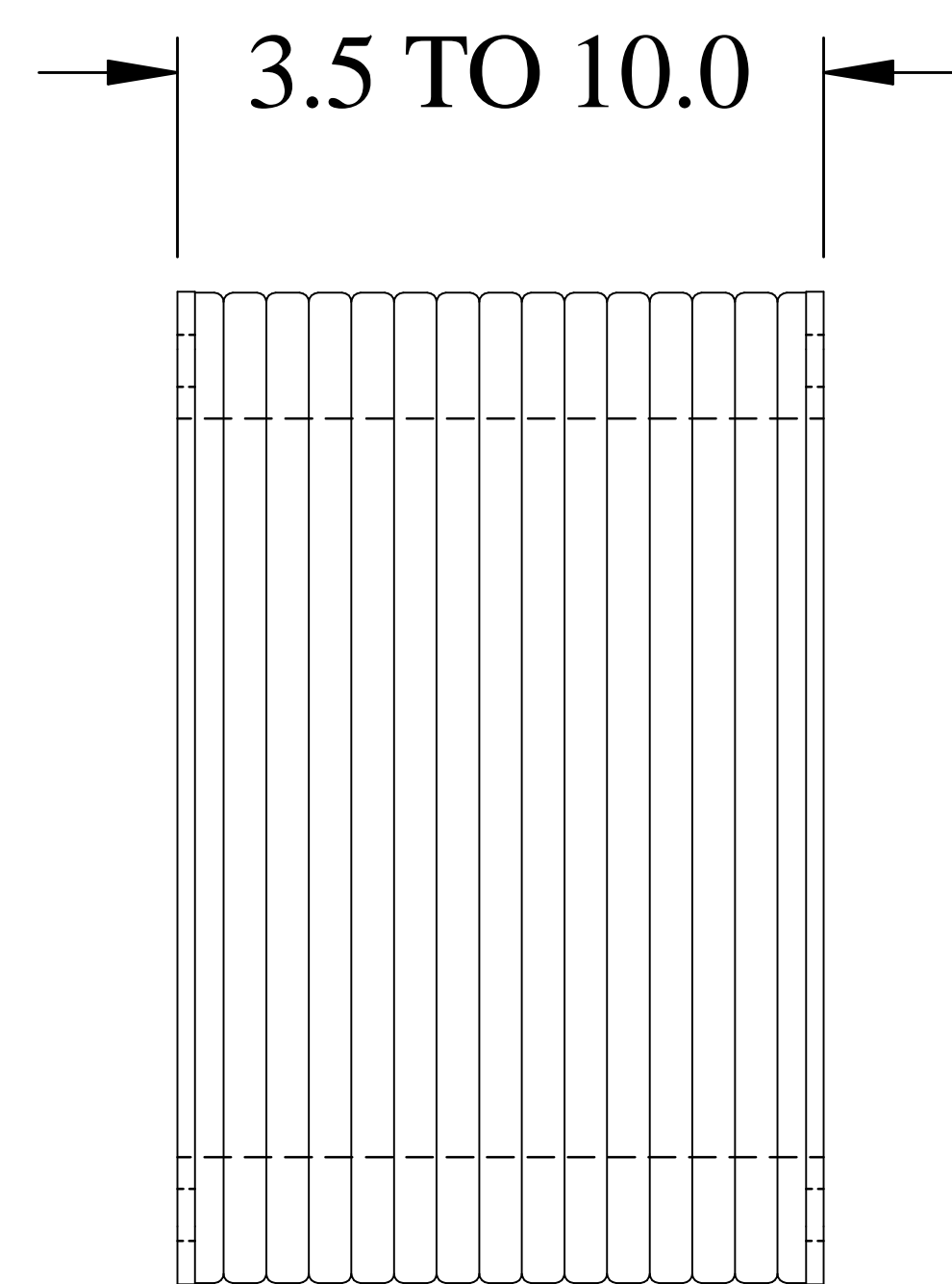
www.hammondmfg.com

Data subject to change without notice

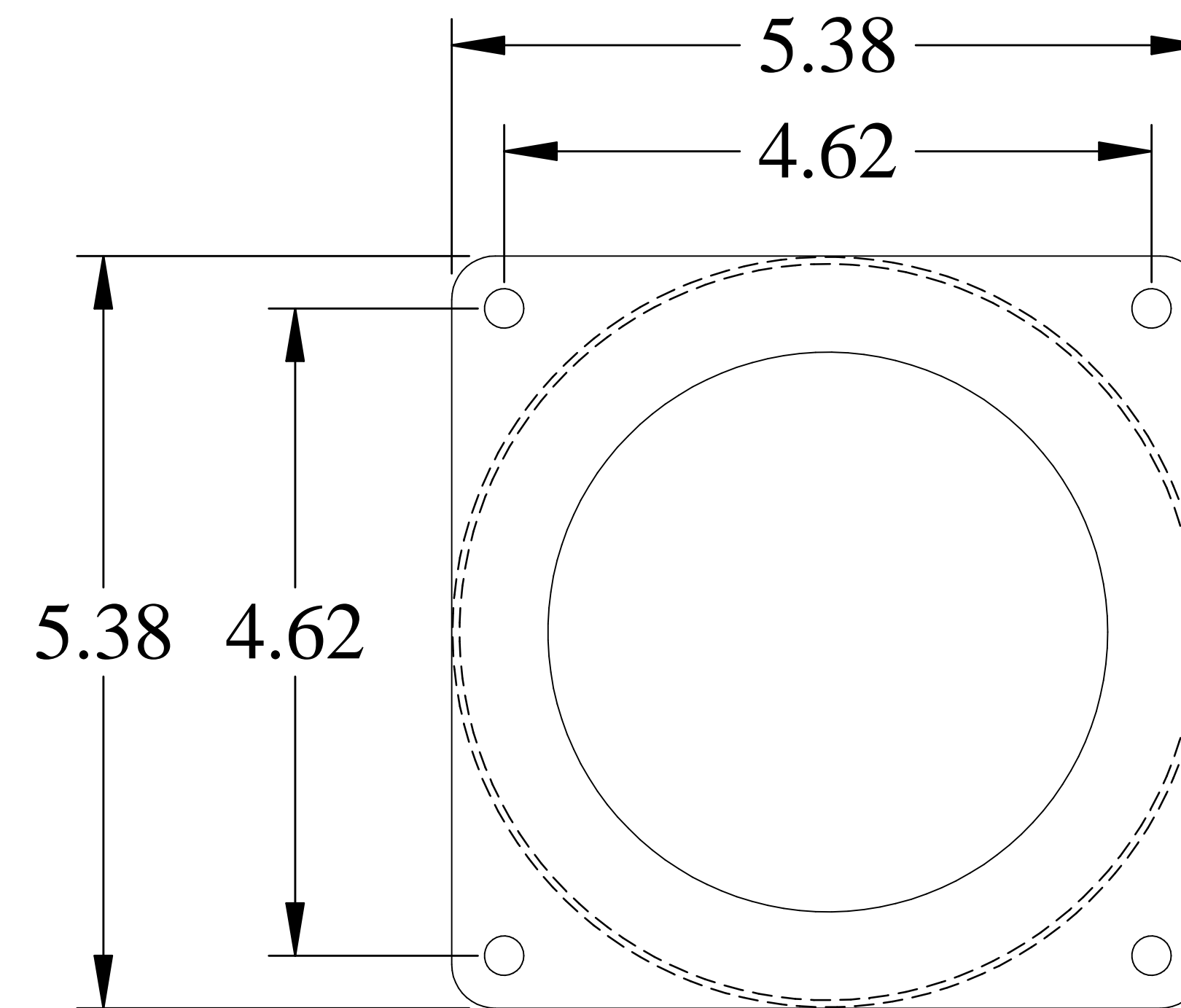
Isometric drawing Not to Scale



ISOMETRIC VIEW



SIDE VIEW



END VIEW