

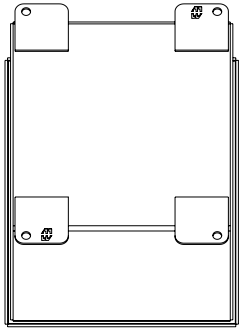


PART No. 1490MG4

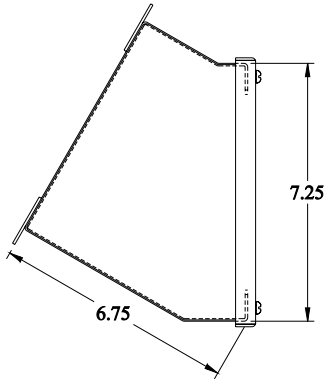
for more information visit
www.hammfg.com

Data subject to change without notice

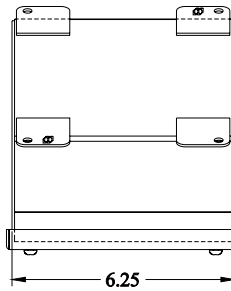
Isometric drawing Not to Scale



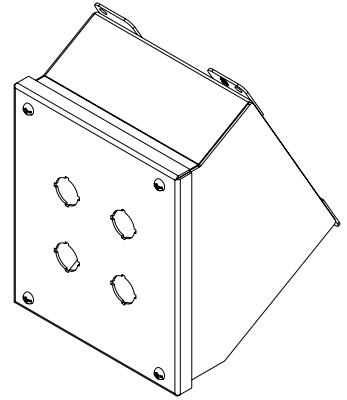
BACK VIEW



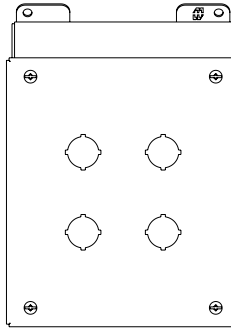
LEFT SIDE VIEW



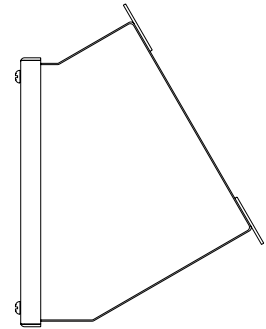
TOP VIEW



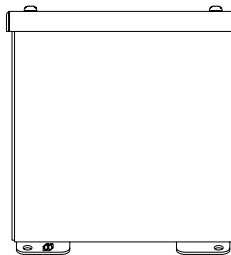
ISOMETRIC VIEW



FRONT VIEW



RIGHT SIDE VIEW



BOTTOM VIEW