

**P/N: 14ST9012MP DATA SHEET****Feature**

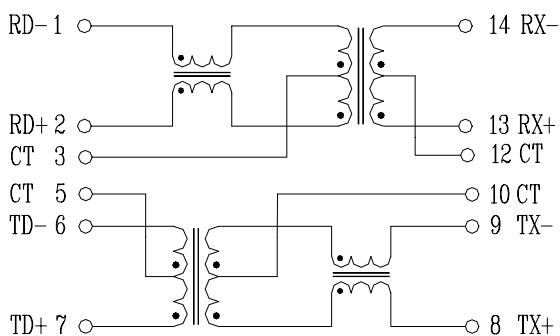
- Design for 10/100 MB/s TX & ATM 155 MB/s applications.
- Very low profile PCMCIA SMD package.
- Operating Temperature range:-40°C to +85°C.
- Storage temperature range: -25°C to +125°C.

**Electrical Specifications @ 25°C**

Part Number	Turns Ratio (±5%)		OCL (uH Min) @ 100KHz/0.1Vrms with 8mA DC Bias	Cross talk (dB Min)		Rise Time (ns Typ)10-90%	HI-POT (Vrms)
	TX	RX		0.3-60MHz	60-100MHz		
14ST9012MP	1CT:1CT	1CT:1CT	350	-40	-38	4.0	1500

**Continue**

Part Number	Insertion Loss (dB Max)	Return Loss (dB Min)			DCMR (dB Min) TX/RX		
		0.3-125 MHz	30MHz	60MHz	80MHz	60MHz	100MHz
14ST9012MP	-1.1	-16	-12	-11	-37	-28	-25

**Schematic****Mechanical**