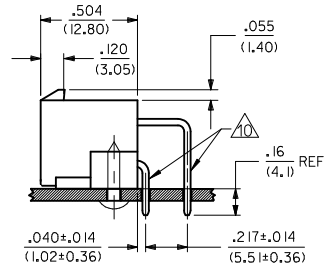
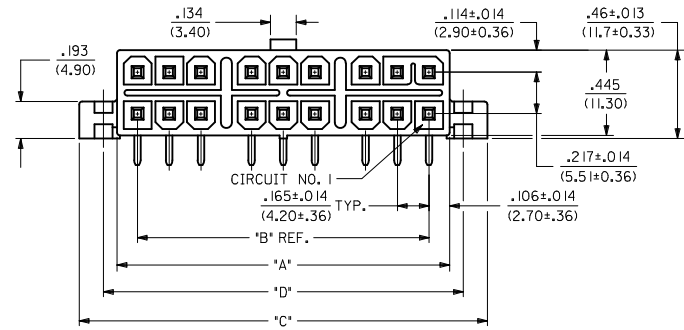
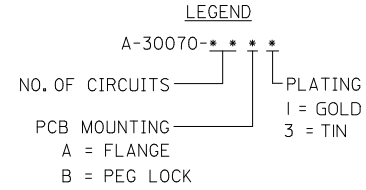


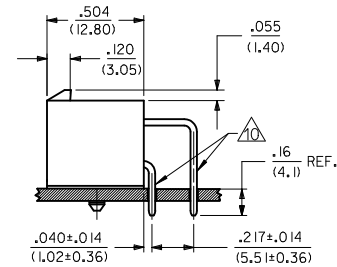
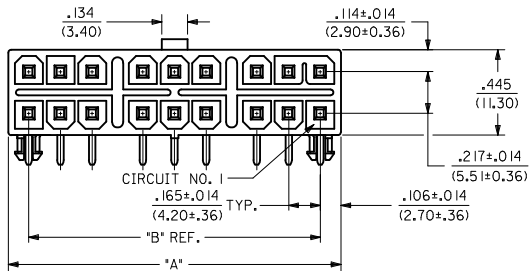
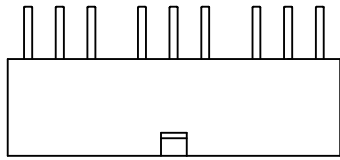
**OPTION A  
FLANGE MOUNT**  
SEE SHT. 2 FOR ADDITIONAL INFORMATION



- NOTES:
- MATERIALS:  
HOUSING: POLYESTER, UNFILLED, UL94 V-0, COLOR: BLACK  
PINS: BRASS
  - PLATING:  
1=.000030/(0.00076) MIN. SELECT GOLD AND .000100/(0.00254) MIN. SELECT MATTE TIN OVER .000050/(0.00127) MIN. NICKEL OVERALL  
3=.000100/(0.00254) MIN. MATTE TIN OVER .000050/(0.00127) MIN. NICKEL
  - PRODUCT SPECIFICATION: PS-5556-003
  - PACKAGING: BULK PACKAGING
  - MATES WITH TPA RECEPTACLE NO. 30067-\*
  - PARTS ARE NOT DESIGNED TO BE MATED OR UNMATED WHILE CIRCUITS ARE LIVE.
  - PART IS NOT DESIGNED FOR CURRENT SHARING.
  - PART CONFORMS TO CLASS 'B' REQUIREMENTS OF COSMETIC SPECIFICATION PS-45499-002.
  - DISCOLORATION IN THE BANDOLIER CARRIER AREA OF THE PIN IS INHERENT TO THE PLATING PROCESS AND IS DUE TO THE MASKING EFFECT OF THE CARRIER. THIS DISCOLORATION IS IN A NON-FUNCTIONAL AREA OF THE PIN AND WILL NOT AFFECT THE PERFORMANCE OF THE HEADER ASSEMBLY.
- △ FORMING MARKS ARE ACCEPTABLE



**OPTION B  
PEG MOUNT**  
SEE SHT. 3 FOR ADDITIONAL INFORMATION



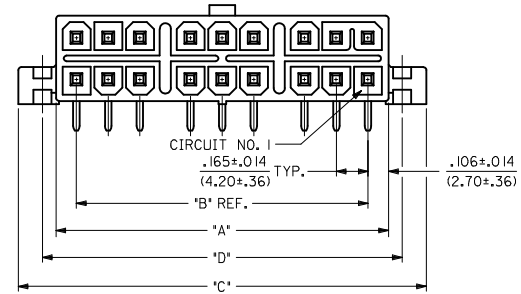
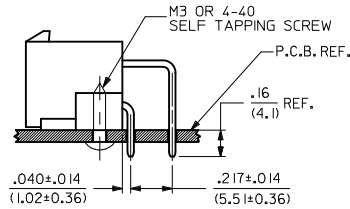
|  |  |                    |                                      |   |                                      |  |   |                           |
|--|--|--------------------|--------------------------------------|---|--------------------------------------|--|---|---------------------------|
| CHANGE PLATING<br>EC NO: UCP2012-1560<br>DRW: NGUYEN<br>CHKD: JELL<br>APPR: FSMITH | 2012/01/18<br>2012/01/18<br>2012/02/02 | DESCRIPTION<br>REV | QUALITY SYMBOLS<br>▽=0<br>▽=0<br>▽=0 | GENERAL TOLERANCES (UNLESS SPECIFIED)   | DIMENSION STYLE<br>IN/MM             | SCALE<br>2:1                           | DESIGN UNITS<br>METRIC                      | THIRD ANGLE PROJECTION    |
|  |  |                    |                                      | 4 PLACES ± --- ± ---<br>3 PLACES ± --- ± .01<br>2 PLACES ± 0.25 ± .014<br>1 PLACE ± 0.36 ± ---<br>ANGULAR ± 1/2°              | DRAWN BY<br>DMF<br>DATE<br>1990/6/15 | CHECKED BY<br>JRT<br>DATE<br>1990/6/15 | APPROVED BY<br>FSMITH<br>DATE<br>2011/09/12 | MATERIAL NO.<br>SEE CHART |
| DRAFT WHERE APPLICABLE MUST REMAIN WITHIN DIMENSIONS                               |  |                    |                                      | THIS DRAWING CONTAINS INFORMATION THAT IS PROPRIETARY TO MOLEX INCORPORATED AND SHOULD NOT BE USED WITHOUT WRITTEN PERMISSION |                                      |  |   |                           |

MINI-FIT T.P.A.  
RIGHT ANGLE HEADER  
ASSEMBLY

**MOLEX INCORPORATED**

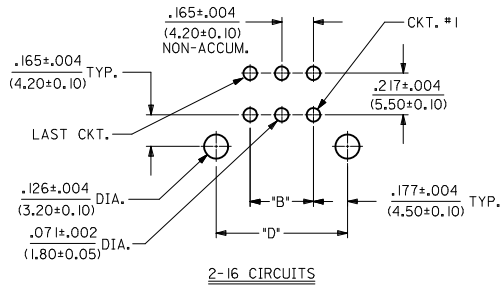
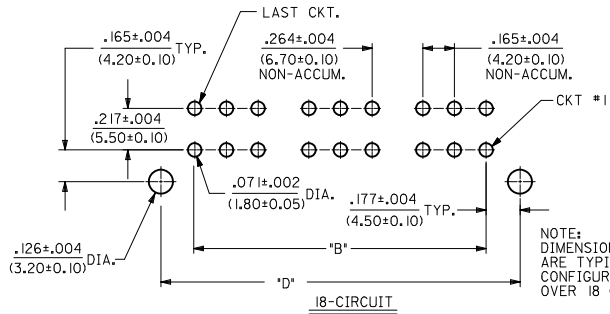
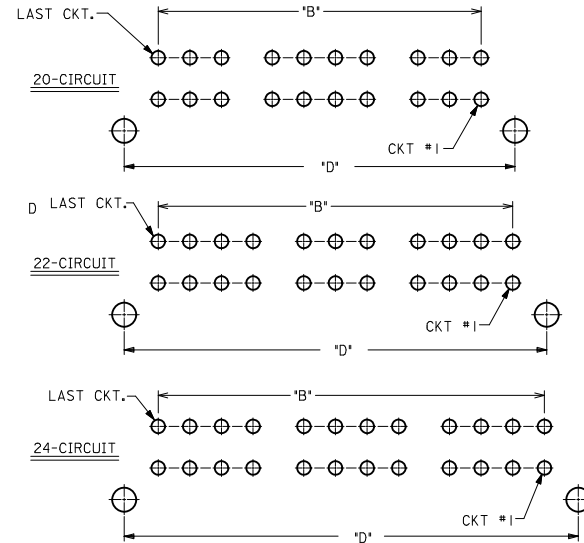
FLANGE MOUNT OPTION

| CKT. SIZE | ENG. NO.   | DIM. 'A'         | DIM. 'B'         | DIM. 'C'         | DIM. 'D'         |
|-----------|------------|------------------|------------------|------------------|------------------|
| 2         | 30070-02A* | .213<br>(5.40)   | —                | .606<br>(15.40)  | .354<br>(9.00)   |
| 4         | 30070-04A* | .378<br>(9.60)   | .165<br>(4.20)   | .772<br>(19.60)  | .520<br>(13.20)  |
| 6         | 30070-06A* | .543<br>(13.80)  | .331<br>(8.40)   | .937<br>(23.80)  | .685<br>(17.40)  |
| 8         | 30070-08A* | .709<br>(18.00)  | .496<br>(12.60)  | 1.102<br>(28.00) | .850<br>(21.60)  |
| 10        | 30070-10A* | .874<br>(22.20)  | .661<br>(16.80)  | 1.268<br>(32.20) | 1.016<br>(25.80) |
| 12        | 30070-12A* | 1.039<br>(26.40) | .827<br>(21.00)  | 1.433<br>(36.40) | 1.181<br>(30.00) |
| 14        | 30070-14A* | 1.205<br>(30.60) | .992<br>(25.20)  | 1.598<br>(40.60) | 1.346<br>(34.20) |
| 16        | 30070-16A* | 1.370<br>(34.80) | 1.157<br>(29.40) | 1.764<br>(44.80) | 1.512<br>(38.40) |
| 18        | 30070-18A* | 1.732<br>(44.00) | 1.520<br>(38.60) | 2.126<br>(54.00) | 1.874<br>(47.60) |
| 20        | 30070-20A* | 1.898<br>(48.20) | 1.685<br>(42.80) | 2.291<br>(58.20) | 2.039<br>(51.80) |
| 22        | 30070-22A* | 2.063<br>(52.40) | 1.850<br>(47.00) | 2.457<br>(62.40) | 2.205<br>(56.00) |
| 24        | 30070-24A* | 2.228<br>(56.60) | 2.016<br>(51.20) | 2.622<br>(66.60) | 2.370<br>(60.20) |



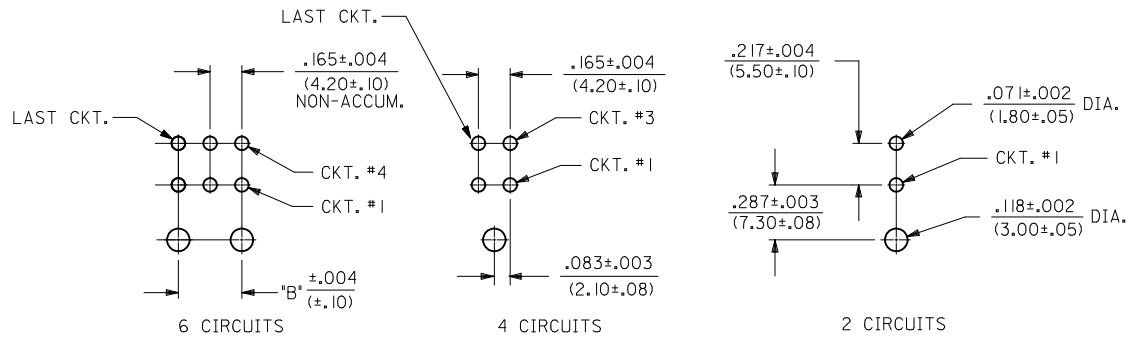
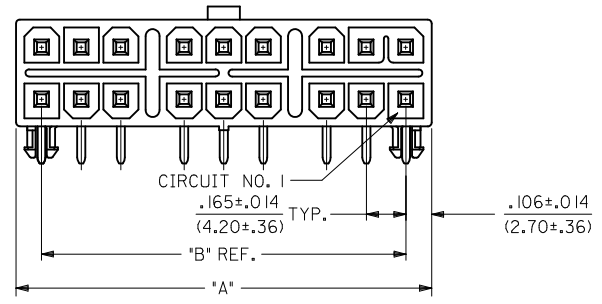
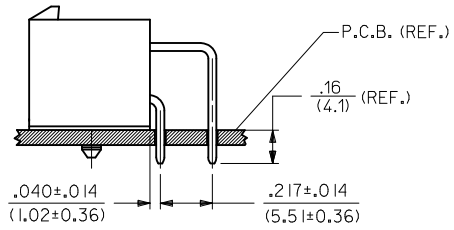
OPTION "A"  
FLANGE MOUNT

RECOMMENDED P.C.BOARD LAYOUT  
FOR .070/(1.78) MAX. THICK P.C. BOAR  
VIEWED FROM COMPONENT  
SIDE OF BOARD



|   |                                      |   |  |                          |  |                                |   |                        |  |   |
|---|--------------------------------------|---|--|--------------------------|--|--------------------------------|---|------------------------|--|---|
| SEE SHEET 1<br>EC NO: UCP2012-1560<br>DRAWING: NGUYEN 2012/01/18<br>CHKD: J.BELL 2012/01/18<br>APPR: F.SMITH 2012/02/02 | QUALITY SYMBOLS<br>▽=0<br>▽=0<br>▽=0 | GENERAL TOLERANCES (UNLESS SPECIFIED)   |  | DIMENSION STYLE<br>IN/MM |  | SCALE<br>2:1                   | DESIGN UNITS<br>METRIC                            | THIRD ANGLE PROJECTION |  |   |
|   |                                      | 4 PLACES ± --- INCH<br>3 PLACES ± --- ±.01<br>2 PLACES ± 0.25 ±.014<br>1 PLACE ± 0.36 ± --- |  | DRAWN BY<br>DMF          |  | DATE<br>1990/6/15              | MINI-FIT T.P.A.<br>RIGHT ANGLE HEADER<br>ASSEMBLY |                        |  |   |
|   |                                      | ANGULAR ±1/2°   |  | APPROVED BY<br>F.SMITH   |  | DATE<br>2011/09/12             | MOLEX INCORPORATED                                |                        |  |   |
|   |                                      | DRAFT WHERE APPLICABLE<br>MUST REMAIN<br>WITHIN DIMENSIONS                                  |  | SEE CHART                |  | MATERIAL NO.<br>SDA-30070-**** | DOCUMENT NO.                                      | SHEET NO.<br>2 OF 4    |  | THIS DRAWING CONTAINS INFORMATION THAT IS PROPRIETARY TO MOLEX INCORPORATED AND SHOULD NOT BE USED WITHOUT WRITTEN PERMISSION |

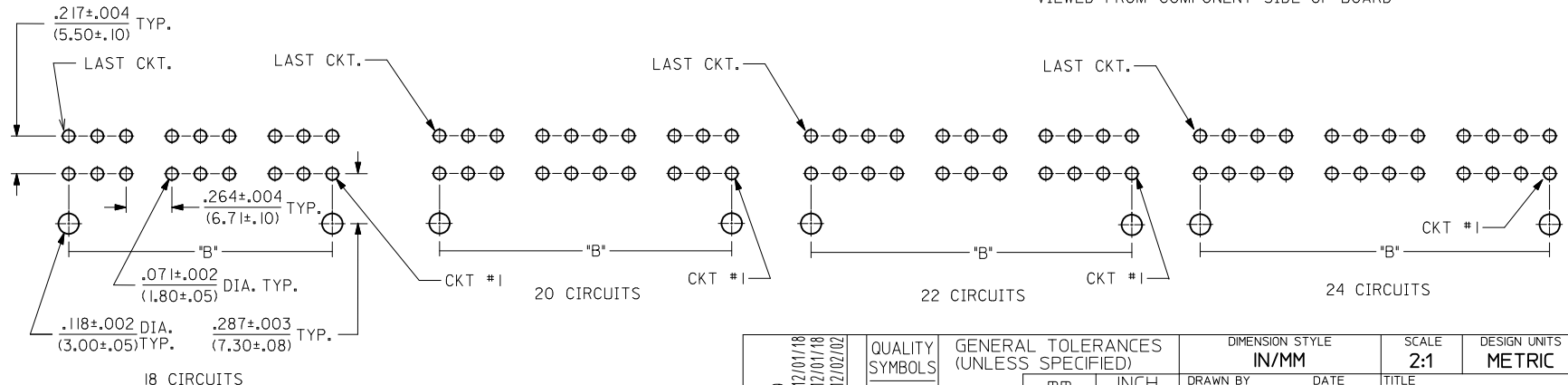
| PEG MOUNT OPTION |             |                  |                  |
|------------------|-------------|------------------|------------------|
| CKT. SIZE        | ENG. NO.    | DIM. 'A'         | DIM. 'B'         |
| 2                | A30070-02B* | .213<br>(5.40)   | —                |
| 4                | A30070-04B* | .378<br>(9.60)   | .165<br>(4.20)   |
| 6                | A30070-06B* | .543<br>(13.80)  | .331<br>(8.40)   |
| 8                | A30070-08B* | .709<br>(18.00)  | .496<br>(12.60)  |
| 10               | A30070-10B* | .874<br>(22.20)  | .661<br>(16.80)  |
| 12               | A30070-12B* | 1.039<br>(26.40) | .827<br>(21.00)  |
| 14               | A30070-14B* | 1.205<br>(30.60) | .992<br>(25.20)  |
| 16               | A30070-16B* | 1.370<br>(34.80) | 1.157<br>(29.40) |
| 18               | A30070-18B* | 1.732<br>(44.00) | 1.520<br>(38.60) |
| 20               | A30070-20B* | 1.898<br>(48.20) | 1.685<br>(42.80) |
| 22               | A30070-22B* | 2.063<br>(52.40) | 1.850<br>(47.00) |
| 24               | A30070-24B* | 2.228<br>(56.60) | 2.016<br>(51.20) |



NOTE:  
DIMENSIONS SHOWN IN THIS  
VIEW ARE TYPICAL FOR ALL  
P.C.B. CONFIGURATIONS FROM  
6-16 CIRCUITS.

### OPTION "B" PEG MOUNT

RECOMMENDED HOLE LAYOUT FOR .070/(1.78) MAX. P.C.BOARD  
VIEWED FROM COMPONENT SIDE OF BOARD



NOTE:  
DIMENSIONS SHOWN IN THIS VIEW ARE  
TYPICAL FOR ALL P.C.B. CONFIGURATIONS  
OVER 18 CKTS.

|   |                                      |                                       |                |                          |                |                    |                        |   |  |
|---|--------------------------------------|---------------------------------------|----------------|--------------------------|----------------|--------------------|------------------------|---|--|
| SEE SHEET 1<br>EC NO: UCP2012-1560<br>DRAWN: NGUYEN 2012/01/18<br>CHKD: J.BELL 2012/01/18<br>APPR: FSMITH 2012/02/02          | QUALITY SYMBOLS<br>▽=0<br>▽=0<br>▽=0 | GENERAL TOLERANCES (UNLESS SPECIFIED) |                | DIMENSION STYLE<br>IN/MM |                | SCALE<br>2:1       | DESIGN UNITS<br>METRIC | THIRD ANGLE PROJECTION                            |  |
|   |                                      | 4 PLACES ± .01                        | 3 PLACES ± .01 | 2 PLACES ± .025          | 1 PLACE ± 0.36 | DRAWN BY<br>DMF    | DATE<br>1990/6/15      | MINI-FIT T.P.A.<br>RIGHT ANGLE HEADER<br>ASSEMBLY |  |
| DRAFT WHERE APPLICABLE<br>MUST REMAIN<br>WITHIN DIMENSIONS  |                                      | ANGULAR ±1/2°                         |                | APPROVED BY<br>FSMITH    |                | DATE<br>2011/09/12 | MOLEX INCORPORATED     |   |  |
| SIZE<br>C   |                                      | SEE CHART                             |                | MATERIAL NO.             |                | DOCUMENT NO.       | SHEET NO.<br>3 OF 4    |   |  |
| THIS DRAWING CONTAINS INFORMATION THAT IS PROPRIETARY TO MOLEX INCORPORATED AND SHOULD NOT BE USED WITHOUT WRITTEN PERMISSION |                                      |                                       |                |                          |                |                    |                        |   |  |

|   | 13          | 12           | 11        | 10        | 9       | 8           | 7           | 6           | 5         | 4         | 3       | 2           | 1           |              |           |           |         |             |
|---|-------------|--------------|-----------|-----------|---------|-------------|-------------|-------------|-----------|-----------|---------|-------------|-------------|--------------|-----------|-----------|---------|-------------|
| J | PART NUMBER | ENG. NUMBER  | CKT. SIZE | MTG. OPT. | PLATING | HSG. MAT'L. | PART NUMBER | ENG. NUMBER | CKT. SIZE | MTG. OPT. | PLATING | HSG. MAT'L. | PART NUMBER | ENG. NUMBER  | CKT. SIZE | MTG. OPT. | PLATING | HSG. MAT'L. |
|   | 15-97-8022  | A-30070-02A3 | 2         | FLNG      | TIN     | 94V-0       | NO E.D.P.   |             |           |           |         |             | 15-97-8023  | A-30070-02B3 | 2         | PEGS      | TIN     | 94V-0       |
|   | 15-97-8042  | A-30070-04A3 | 4         | ↑         | ↑       | ↑           | ↑           |             |           |           |         |             | 15-97-8043  | A-30070-04B3 | 4         | ↑         | ↑       | ↑           |
|   | 15-97-8062  | A-30070-06A3 | 6         |           |         |             |             |             |           |           |         |             | REL TO MFG  | A-30070-06B3 | 6         |           |         |             |
|   | 15-97-8082  | A-30070-08A3 | 8         |           |         |             |             |             |           |           |         |             | ↑           | A-30070-08B3 | 8         |           |         |             |
|   | 15-97-8102  | A-30070-10A3 | 10        |           |         |             |             |             |           |           |         |             | ↓           | A-30070-10B3 | 10        |           |         |             |
|   | 15-97-8122  | A-30070-12A3 | 12        |           |         |             |             |             |           |           |         |             |             | A-30070-12B3 | 12        |           |         |             |
|   | REL TO MFG  | A-30070-14A3 | 14        |           |         |             |             |             |           |           |         |             | ↓           | A-30070-14B3 | 14        |           |         |             |
|   | 15-97-8162  | A-30070-16A3 | 16        |           |         |             |             |             |           |           |         |             | REL TO MFG  | A-30070-16B3 | 16        |           |         |             |
|   | NO E.D.P.   | A-30070-18A3 | 18        |           |         |             |             |             |           |           |         |             | NO E.D.P.   | A-30070-18B3 | 18        |           |         |             |
|   | NO E.D.P.   | A-30070-20A3 | 20        |           |         |             |             |             |           |           |         |             | NO E.D.P.   | A-30070-20B3 | 20        |           |         |             |
|   | NO E.D.P.   | A-30070-22A3 | 22        | ↓         | ↓       | ↓           | ↓           |             |           |           |         |             | NO E.D.P.   | A-30070-22B3 | 22        | ↓         | ↓       | ↓           |
|   | NO E.D.P.   | A-30070-24A3 | 24        | FLNG      | TIN     | 94V-0       | NO E.D.P.   |             |           |           |         |             | NO E.D.P.   | A-30070-24B3 | 24        | PEGS      | TIN     | 94V-0       |
| H | PART NUMBER | ENG. NUMBER  | CKT. SIZE | MTG. OPT. | PLATING | HSG. MAT'L. | PART NUMBER | ENG. NUMBER | CKT. SIZE | MTG. OPT. | PLATING | HSG. MAT'L. | PART NUMBER | ENG. NUMBER  | CKT. SIZE | MTG. OPT. | PLATING | HSG. MAT'L. |
|   | 15-97-8027  | A-30070-02A1 | 2         | FLNG      | GOLD    | 94V-0       |             |             |           |           |         |             | 15-97-8028  | A-30070-02B1 | 2         | PEGS      | GOLD    | 94V-0       |
|   | 15-97-8047  | A-30070-04A1 | 4         | ↑         | ↑       | ↑           |             |             |           |           |         |             | 15-97-8048  | A-30070-04B1 | 4         | ↑         | ↑       | ↑           |
|   | 15-97-8067  | A-30070-06A1 | 6         |           |         |             |             |             |           |           |         |             | REL TO MFG  | A-30070-06B1 | 6         |           |         |             |
|   | 15-97-8087  | A-30070-08A1 | 8         |           |         |             |             |             |           |           |         |             | ↑           | A-30070-08B1 | 8         |           |         |             |
|   | 15-97-8107  | A-30070-10A1 | 10        |           |         |             |             |             |           |           |         |             | ↓           | A-30070-10B1 | 10        |           |         |             |
|   | 15-97-8127  | A-30070-12A1 | 12        |           |         |             |             |             |           |           |         |             |             | A-30070-12B1 | 12        |           |         |             |
|   | REL TO MFG  | A-30070-14A1 | 14        |           |         |             |             |             |           |           |         |             | ↓           | A-30070-14B1 | 14        |           |         |             |
|   | 15-97-8167  | A-30070-16A1 | 16        |           |         |             |             |             |           |           |         |             | REL TO MFG  | A-30070-16B1 | 16        |           |         |             |
|   | NO E.D.P.   | A-30070-18A1 | 18        |           |         |             |             |             |           |           |         |             | NO E.D.P.   | A-30070-18B1 | 18        |           |         |             |
|   | NO E.D.P.   | A-30070-20A1 | 20        |           |         |             |             |             |           |           |         |             | NO E.D.P.   | A-30070-20B1 | 20        |           |         |             |
|   | NO E.D.P.   | A-30070-22A1 | 22        | ↓         | ↓       | ↓           | ↓           |             |           |           |         |             | NO E.D.P.   | A-30070-22B1 | 22        | ↓         | ↓       | ↓           |
|   | NO E.D.P.   | A-30070-24A1 | 24        | FLNG      | GOLD    | 94V-0       |             |             |           |           |         |             | NO E.D.P.   | A-30070-24B1 | 24        | PEGS      | GOLD    | 94V-0       |
|   |             |              | 2         |           |         |             |             |             | 2         |           |         |             |             |              | 2         |           |         |             |
|   |             |              | 4         | ↑         | ↑       | ↑           |             |             | 4         | ↑         | ↑       | ↑           |             |              | 4         | ↑         | ↑       | ↑           |
|   |             |              | 6         |           |         |             |             |             | 6         |           |         |             |             |              | 6         |           |         |             |
|   |             |              | 8         |           |         |             |             |             | 8         |           |         |             |             |              | 8         |           |         |             |
|   |             |              | 10        |           |         |             |             |             | 10        |           |         |             |             |              | 10        |           |         |             |
|   |             |              | 12        |           |         |             |             |             | 12        |           |         |             |             |              | 12        |           |         |             |
|   |             |              | 14        |           |         |             |             |             | 14        |           |         |             |             |              | 14        |           |         |             |
|   |             |              | 16        |           |         |             |             |             | 16        |           |         |             |             |              | 16        |           |         |             |
|   |             |              | 18        |           |         |             |             |             | 18        |           |         |             |             |              | 18        |           |         |             |
|   |             |              | 20        |           |         |             |             |             | 20        |           |         |             |             |              | 20        |           |         |             |
|   |             |              | 22        | ↓         | ↓       | ↓           | ↓           |             | 22        | ↓         | ↓       | ↓           |             |              | 22        | ↓         | ↓       | ↓           |
|   |             |              | 24        |           |         |             |             |             | 24        |           |         |             |             |              | 24        |           |         |             |

|  |                                      |                                       |                          |                                  |  |                        |  |                                |
|--|--------------------------------------|---------------------------------------|--------------------------|----------------------------------|--|------------------------|--|--------------------------------|
| SEE SHEET 1<br>EC NO: UCP2012-1560<br>DRAWN: NGUYEN 2012/01/18<br>CHKD: BELL 2012/01/18<br>APPR: FSMITH 2012/02/02 | QUALITY SYMBOLS<br>▽=0<br>▽=0<br>▽=0 | GENERAL TOLERANCES (UNLESS SPECIFIED) | DIMENSION STYLE<br>IN/MM |                                  | SCALE<br>1:1   | DESIGN UNITS<br>METRIC | THIRD ANGLE PROJECTION                                     |                                |
|  |                                      | 4 PLACES ±.012 ±.012                  | mm                       | INCH                             | DRAWN BY<br>DMF  | DATE<br>1990/6/15      | TITLE<br>MINI-FIT T.P.A.<br>RIGHT ANGLE HEADER<br>ASSEMBLY |                                |
|  |                                      | 3 PLACES ±.012 ±.012                  | ±.25                     | ±.014                            | CHECKED BY<br>JRT  | DATE<br>1990/6/15      | MOLEX<br>MOLEX INCORPORATED                                |                                |
|  |                                      | 2 PLACES ±.012 ±.012                  | ±.036                    | ±.014                            | APPROVED BY<br>FSMITH  | DATE<br>2011/09/12     |  | DOCUMENT NO.<br>SDA-30070-**** |
| 1 PLACE ±.012 ±.012  | ANGULAR ±1/2°                        |                                       |                          | MATERIAL NO.<br><b>SEE CHART</b> |  |                        | SHEET NO.<br>4 OF 4  |                                |
| DRAFT WHERE APPLICABLE<br>MUST REMAIN<br>WITHIN DIMENSIONS   |                                      |                                       |                          |                                  | THIS DRAWING CONTAINS INFORMATION THAT IS PROPRIETARY TO MOLEX<br>INCORPORATED AND SHOULD NOT BE USED WITHOUT WRITTEN PERMISSION |                        |  |                                |