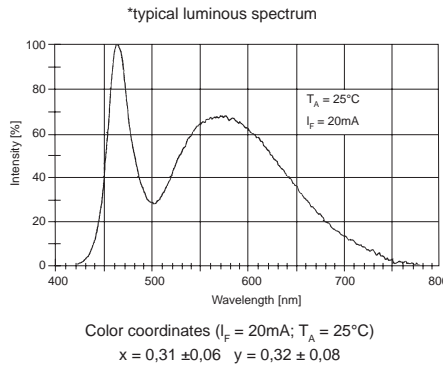
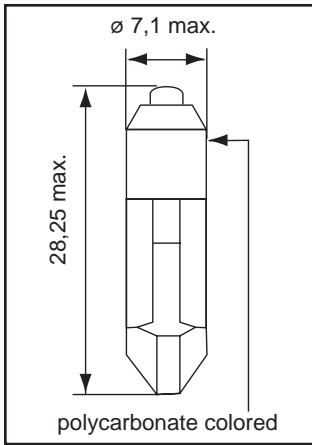


**15086 Series T 2 Telephone Slide Based LED (Standard)**

**DESCRIPTION AND FEATURES**



- Replaces incandescent lamp #'s
  - 12V AC/DC — 12PSB
  - 24V AC/DC — 24PSB
  - 28V AC/DC — 28PSB
- Extremely high brightness with low current draw
- Long life — typically 100K hours vs. 10K hours
- Low heat generation
- Available in five standard colors. Custom colors available upon request
- Shock and vibration proof
- Storage temperature:  $-25^\circ\text{C} - +80^\circ\text{C}$
- Ambient temperature:  $-20^\circ\text{C} - +60^\circ\text{C}$
- Due to production tolerances, color temperature variations may be detected within individual consignments

**ELECTRO-OPTICAL CHARACTERISTICS AND RATINGS**

Part Number	Color	Voltage V AC/DC	Current mA	Lumi. Intensity mcd	Reverse Voltage V	Dominant Wavelength nm
1508625UR3	Red	12	7 / 14	330	80	630
1508625UG3	Green	12	7 / 14	910	80	525
1508625UY3	Yellow	12	7 / 14	280	80	587
1508625B3	Blue	12	7 / 14	350	80	470
1508625W3	White Clear	12	7 / 14	700	80	*
1508625W3D	White Diffused	12	7 / 14	350	80	*
1508635UR3	Red	24	7 / 14	330	80	630
1508635UG3	Green	24	7 / 14	910	80	525
1508635UY3	Yellow	24	7 / 14	280	80	587
1508635B3	Blue	24	7 / 14	350	80	470
1508635W3	White Clear	24	7 / 14	700	80	*
1508635W3D	White Diffused	24	7 / 14	350	80	*
1508645UR3	Red	28	7 / 14	330	80	630
1508645UG3	Green	28	7 / 14	910	80	525
1508645UY3	Yellow	28	7 / 14	280	80	587
1508645B3	Blue	28	7 / 14	350	80	470
1508645W3	White Clear	28	7 / 14	700	80	*
1508645W3D	White Diffused	28	7 / 14	350	80	*

Luminous intensity data of the used LEDs at:  $I_{OP,DC}$

Chicago Miniature Lamp reserves the right to make specification revisions that enhance the design and/or performance of the product.