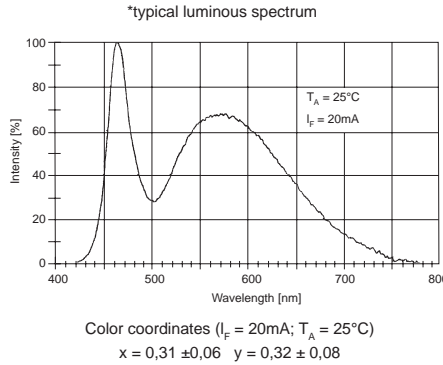
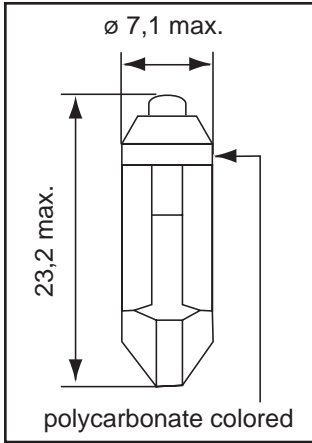


**15087 Series T 2 Telephone Slide Based LED (Short)**

**DESCRIPTION AND FEATURES**



- Replaces incandescent lamp #'s
  - 12V AC/DC — 12ESB, 14FSB
  - 24V AC/DC — 24CSB, 24ESB
  - 28V AC/DC — 28ESB
- Extremely high brightness with low current draw
- Long life — typically 100K hours vs. 10K hours
- Low heat generation
- Available in five standard colors. Custom colors available upon request
- Shock and vibration proof
- Storage temperature:  $-25^\circ\text{C} - +80^\circ\text{C}$
- Ambient temperature:  $-20^\circ\text{C} - +60^\circ\text{C}$
- Due to production tolerances, color temperature variations may be detected within individual consignments

**ELECTRO-OPTICAL CHARACTERISTICS AND RATINGS**

Part Number	Color	Voltage V AC/DC	Current mA	Lumi. Intensity mcd	Reverse Voltage V	Dominant Wavelength nm
1508725UR3	Red	12	7 / 14	330	80	630
1508725UG3	Green	12	7 / 14	910	80	525
1508725UY3	Yellow	12	7 / 14	280	80	587
1508725B3	Blue	12	7 / 14	350	80	470
1508725W3	White Clear	12	7 / 14	700	80	*
1508725W3D	White Diffused	12	7 / 14	350	80	*
1508735UR3	Red	24	7 / 14	330	80	630
1508735UG3	Green	24	7 / 14	910	80	525
1508735UY3	Yellow	24	7 / 14	280	80	587
1508735B3	Blue	24	7 / 14	350	80	470
1508735W3	White Clear	24	7 / 14	700	80	*
1508735W3D	White Diffused	24	7 / 14	350	80	*
1508745UR3	Red	28	7 / 14	330	80	630
1508745UG3	Green	28	7 / 14	910	80	525
1508745UY3	Yellow	28	7 / 14	280	80	587
1508745B3	Blue	28	7 / 14	350	80	470
1508745W3	White Clear	28	7 / 14	700	80	*
1508745W3D	White Diffused	28	7 / 14	350	80	*

Luminous intensity data of the used LEDs at:  $I_{OP,DC}$

Chicago Miniature Lamp reserves the right to make specification revisions that enhance the design and/or performance of the product.