

## FEATURES

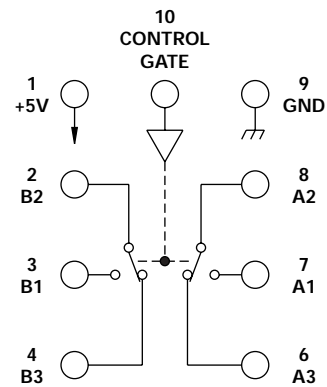
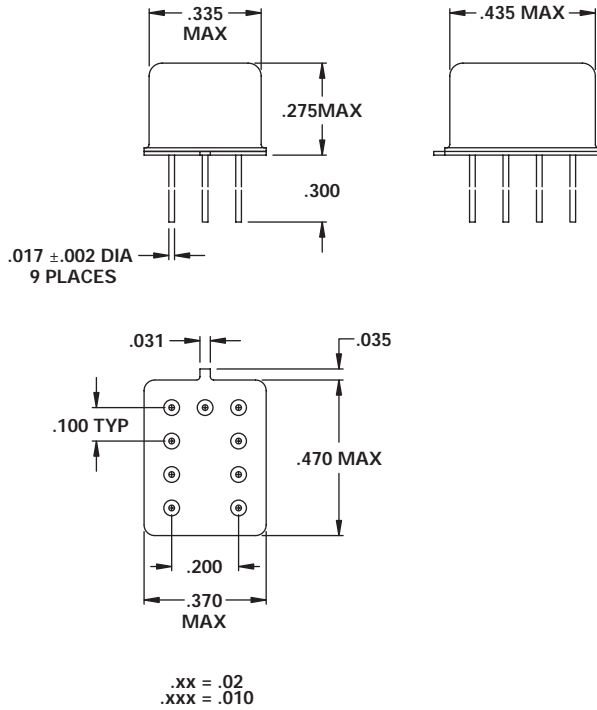
- 3 - 200 MHz
- 1 dB Insertion Loss
- 45 dB Isolation
- Small DIP Package



MODEL NO.  
150C2206

Switch DPDT

DPDT



## GUARANTEED PERFORMANCE

Parameter	Min	Typ	Max	Units	Conditions
Operating Frequency	3		200	MHz	Test Frequencies At 17 MHz and 58 MHz
DC Current		0.261	132	mA	At +5 VDC Supply
Control Current		±1.0	50	µA	VIH = 2.0 Min
		±1.0	-400	µA	VIH = 0.8 Min
Insertion Loss		1.06	1.40	dB	10 to 110 MHz
Isolation	43	45		dB	10 to 110 MHz
	38	40		dB	110 to 200 MHz
VSWR		1.31/1	1.5/1		3 to 10 MHz
		1.19/1	1.2/1		10 to 200 MHz
Impedance		50		OHMS	
Switching Speed		0.34	1	µSec	
Switching (Video) Transients		40	50	mV	Peak Value
Intercept Points	3rd	+34	+33	dBm	48 - 70 MHz
		+28	+39	dBm	15 - 20 MHz
RF Power	Operate	+9.8	+13	dBm	
Operating Temperature	-55	+25	+85	°C	

