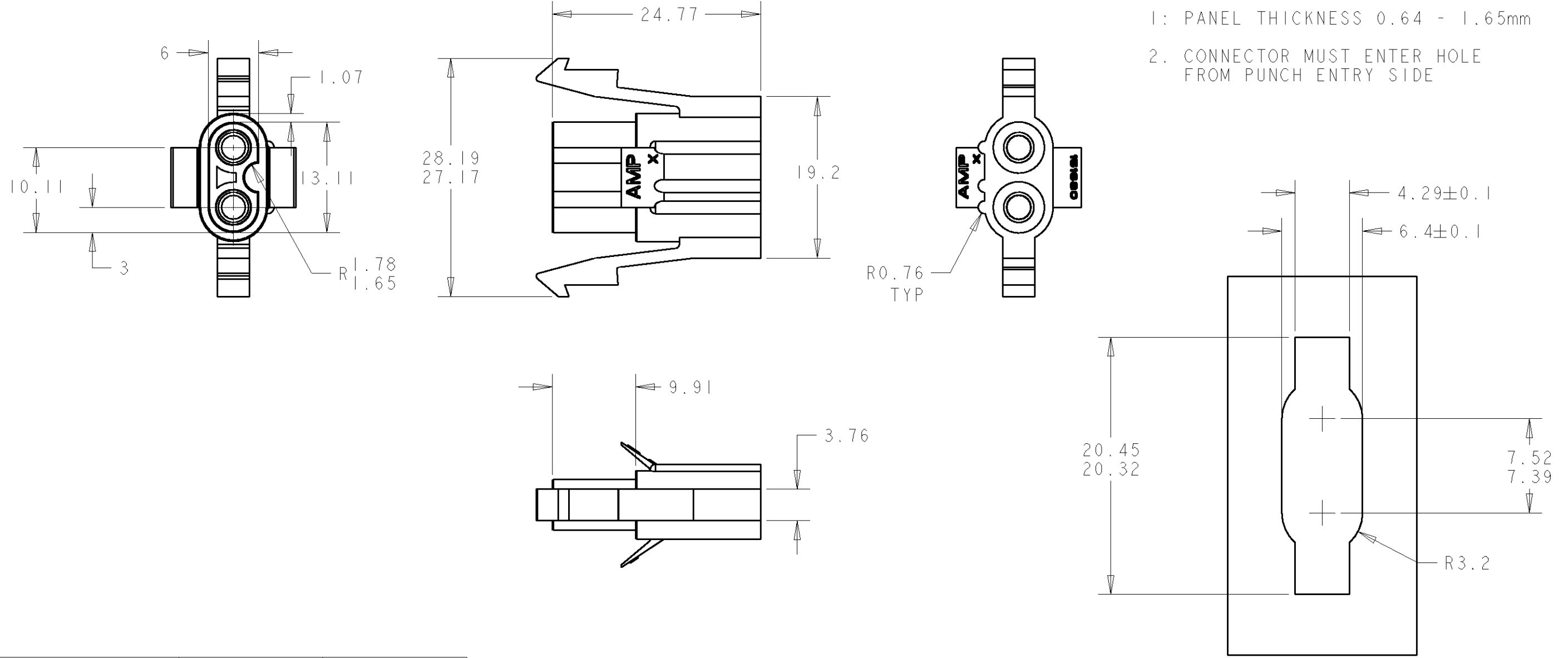


THIS DRAWING IS UNPUBLISHED. RELEASED FOR PUBLICATION 20  
 © COPYRIGHT 20 BY TYCO ELECTRONICS CORPORATION. ALL RIGHTS RESERVED.

LOC	DIST	REVISIONS					
		P	LTR	DESCRIPTION	DATE	DWN	APVD
E	B	P		ECR-06-000059	03JAN2006	MJG	JA
		P1		ECR-10-000004	22MAR10	RK	SRE

NOTES:

- 1: PANEL THICKNESS 0.64 - 1.65mm
- 2. CONNECTOR MUST ENTER HOLE FROM PUNCH ENTRY SIDE



NYLON 66 (V0)	NATURAL	2-151680-0	
NYLON 66	BLACK	<del>151680-9</del>	OBSOLETE
NYLON 66	GREY	151680-8	
NYLON 66	VIOLET	151680-7	
NYLON 66	GREEN	<del>151680-5</del>	OBSOLETE
NYLON 66	YELLOW	151680-4	
NYLON 66	ORANGE	151680-3	
NYLON 66	BROWN	151680-1	
NYLON 66	NATURAL	151680-0	
MATERIAL	COLOUR	PART NO	

THIS DRAWING IS A CONTROLLED DOCUMENT FOR TYCO ELECTRONICS CORPORATION. IT IS SUBJECT TO CHANGE AND THE CONTROLLING ENGINEERING ORGANIZATION SHOULD BE CONTACTED FOR THE LATEST REVISION.

DWN	M. GREENER	03/01/06	Tyco Electronics Bideford, Devon EX39 4HA
CHK	J. AMBROSE	03/01/06	
APVD	F. WHEELER-KING	03/01/06	
NAME	2 WAY 'MATE-N-LOK' SOCKET HOUSING		
DIMENSIONS: mm 			PRODUCT SPEC
TOLERANCES UNLESS OTHERWISE SPECIFIED: 0 PLC ±0.5 1 PLC ±0.5 2 PLC ±0.5 3 PLC ±0.5 4 PLC ±0.5 ANGLES ±1 FINISH -			APPLICATION SPEC
MATERIAL SEE TABLE			WEIGHT -
CUSTOMER DRAWING			RESTRICTED TO -
SIZE A3		CAGE CODE 00779	DRAWING NO C-151680
SCALE 2:1		SHEET 1	OF 1 REV P1