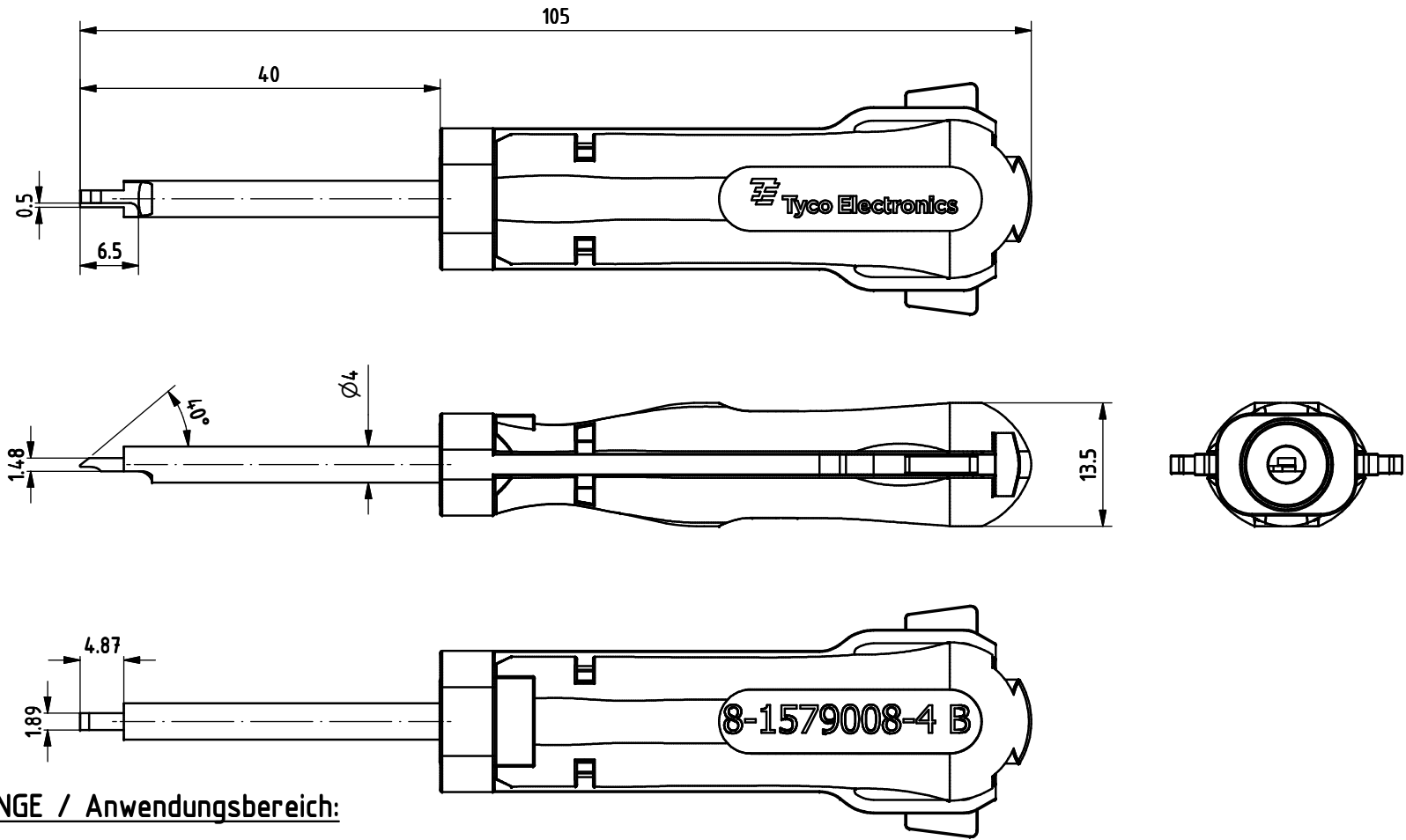


THIS DRAWING IS UNPUBLISHED. RELEASED FOR PUBLICATION
 © COPYRIGHT - BY TYCO ELECTRONICS CORPORATION. ALL INTERNATIONAL RIGHTS RESERVED.

LOC	DIST	REVISIONS					
AI	00	P	LTR	DESCRIPTION	DATE	DWN	APVD
		B		ECR-10-012346	10JUN10	SA	GS



APPLICATION RANGE / Anwendungsbereich:

CONTACT MCON 1.2: 1452501, 1534595,
 1535063, 1570145,
 1458504, 1418842,
 1418845, 1418848,
 1670147, 1418851,

HOUSING: 1703440

THIS DRAWING IS A CONTROLLED DOCUMENT.		DWN S. Samstag 05JUN2008	Tyco Electronics Tyco Electronics AMP GmbH 64625 Bensheim (Germany)	
DIMENSIONS: mm		CHK G. Stegmayer 05JUN2008	NAME EXTRACTION TOOL Entriegelungswerkzeug	
TOLERANCES UNLESS OTHERWISE SPECIFIED: 0 PLC ±± 1 PLC ±±± 2 PLC ±±±± 3 PLC ±±±±± 4 PLC ±±±±±± ANGLES ±		APVD G. Stegmayer 05JUN2008	DRAWING NO 114-18464	
MATERIAL		PRODUCT SPEC	SIZE A3	RESTRICTED TO
FINISH		APPLICATION SPEC	CAGE CODE 00779	DRAWING NO C= 8-1579008-4
		Gewicht / Weight in Kg 0,009	SCALE 1:1	SHEET 1 of 1
CUSTOMER DRAWING			REV B	