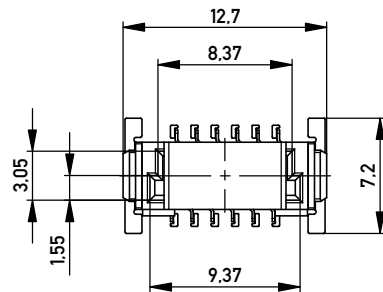
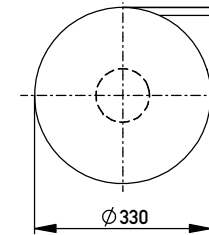
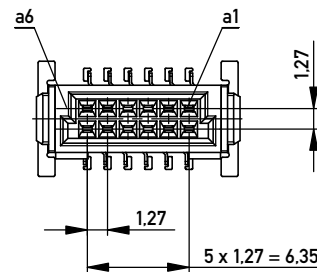


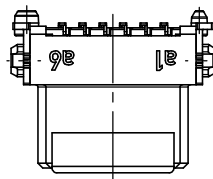
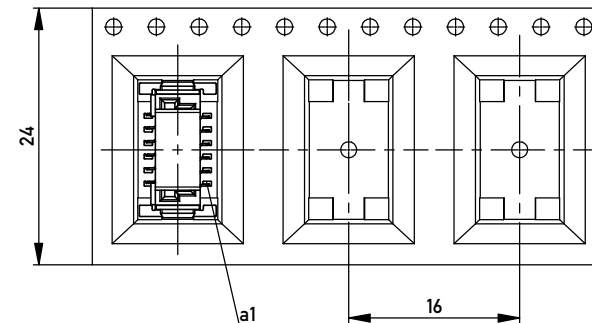
Verpackt im Gurt nach DIN IEC 60286-3
 Tape on Reel Packaging according to DIN IEC 60286-3
 Verpackungseinheit: 280 Stück
 Packaging unit: 280 pcs



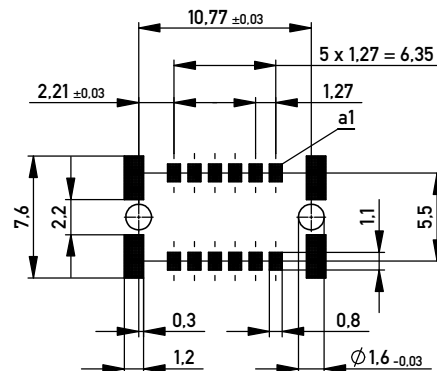
ohne Ansaughaube - without hood



Abspulrichtung - Reel off Direction



Leiterplatten-Layout Vorschlag für SMT
 PCB-Layout Proposal for SMT



Anforderungsstufe 1
 Performance Level 1

Kontaktbereich vergoldet
 Mating Area gold plating

Anschlussbereich verzinkt 4-6 µm
 Terminal Area 4-6 µm tin plating

Koplanarität der Anschlüsse ≤ 0,1 mm
 Coplanarity Area of Termination ≤ 0,1 mm

BA 7-03 - Standard Bauhöhe

type 7-03 - standard assembly height

Information:	Tolerances	 All Dimensions in mm	Scale	3:1
	All rights reserved. Only for Information. To ensure that this is the latest version of this drawing, please contact one of the ERNI companies before using.		Designation Federl. SMC-B 12-SMD-BA7-03 <i>Female SMC-B 12-SMD-type7-03</i>	
Subject to modification without prior notice. Drawing will not be updated.		 www.ERNI.com	154717	
e	04.12.2013		Class	SMCB
Index				A3

Copyright by ERNI GmbH. Proprietary notice pursuant to ISO 16018 to be observed.