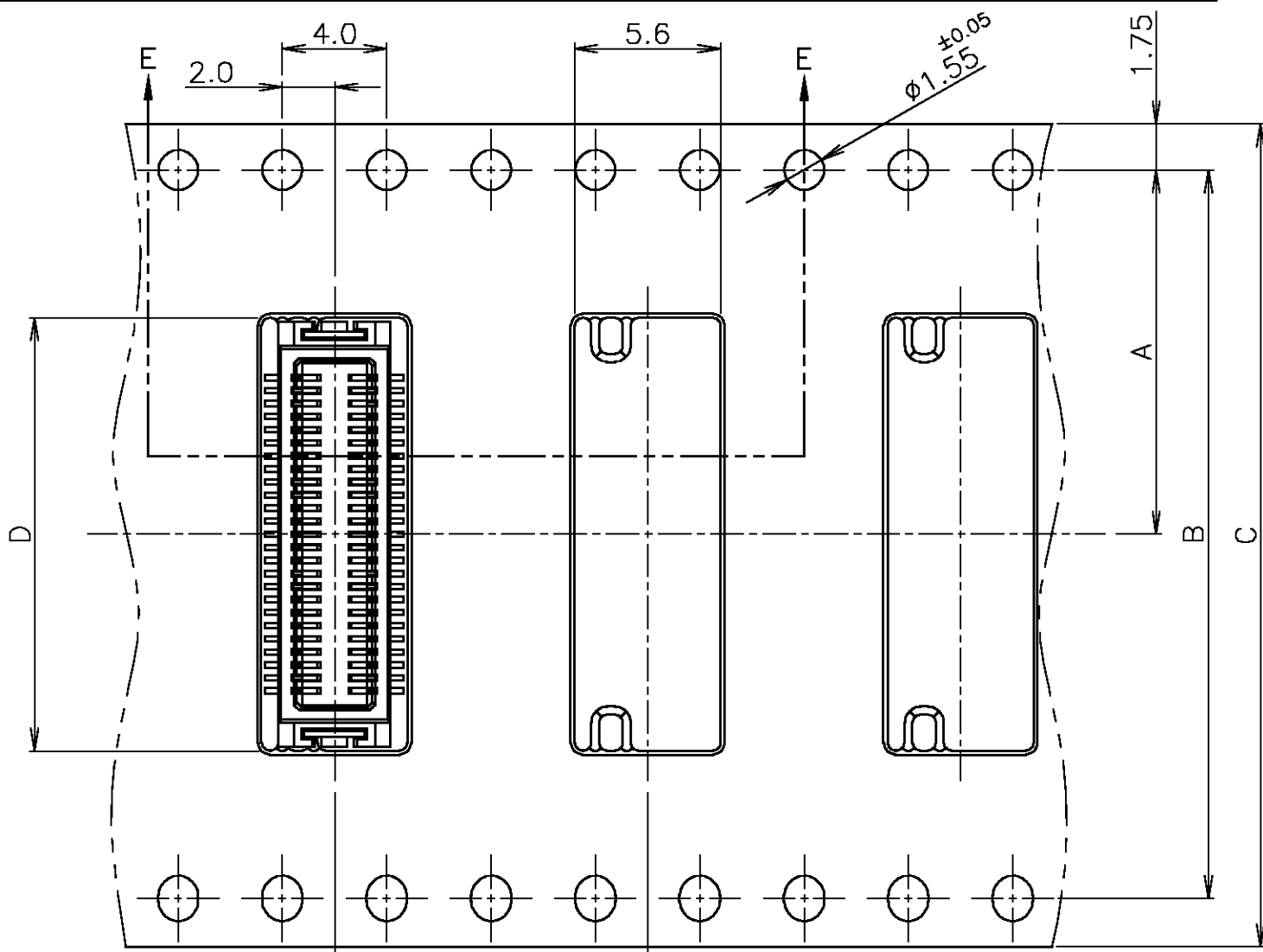
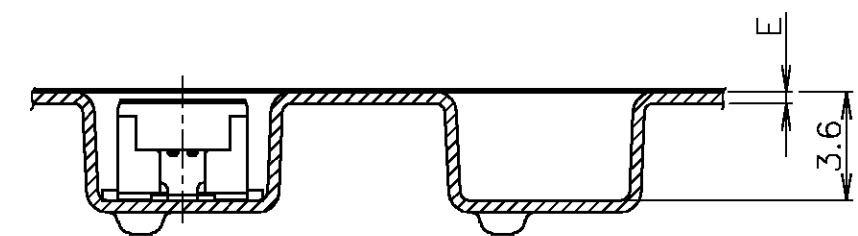


LOC	DIST	REVISIONS					
		P	LTR	DESCRIPTION	DATE	DWN	APVD
J		A	REVISED	FJB0-0396-04	23APR04	Y.N	H.M



テープ幅  
TAPE WIDTH



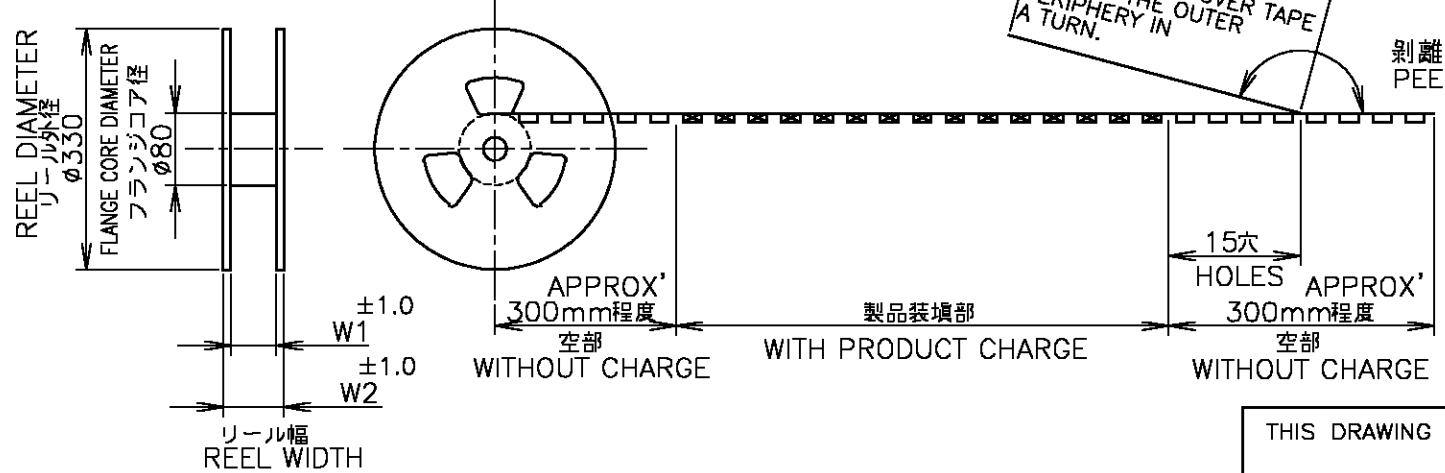
引出し方向  
TOP OF REEL

E-E

鉛フリー  
LEAD FREE

カバーテープ  
リーダー部  
外周一巻  
WEEDING THE COVER TAPE  
AROUND THE OUTER  
PERIPHERY IN  
A TURN.

剥離角度、165°~180°  
PEELING ANGLE.



THIS DRAWING IS A CONTROLLED DOCUMENT.

DIMENSIONS: 単位: 耗 MM	TOLERANCES UNLESS OTHERWISE SPECIFIED: 一般公差
0 PLC	$\pm 0.3$
1 PLC	$\pm 0.3$
2 PLC	$\pm 0.3$
3 PLC	$\pm 0.3$
4 PLC	$\pm 0.3$
ANGLES	$\pm 3'$
MATERIAL 材料	FINISH 仕上

INSTRUCTION SHEET 取扱説明書 411-5808	WIRE RANGE 包含電線断面積	INSULATION DIA 被覆外径
DWN Y.NAKAZAWA 23APR04	Tyco Electronics AMP K.K. Kawasaki, Japan	
CHK T.KUSUHARA 23APR04	NAME 名称	
APVD H.MURAMATSU 23APR04	ON TAPING (EMBOSS) 0.5mm PITCH FINE MATE CONN. TAB ASSEMBLY (V-TYPE) (H=4.5)	
PRODUCT SPEC 製品規格 108-5496	SIZE A3	CAGE CODE 00779
APPLICATION SPEC 取付適用規格	DRAWING NO 番号 C=1565359	RESTRICTED TO
WEIGHT	SCALE 尺度 4:1	SHEET 1 OF 2
CUSTOMER DRAWING		REV A

4

3

2

1

THIS DRAWING IS UNPUBLISHED.      RELEASED FOR PUBLICATION      APR , 2004.  
 © COPYRIGHT 2004 BY TYCO ELECTRONICS CORPORATION.      ALL RIGHTS RESERVED.

LOC	DIST	REVISIONS					
J		P	LTR	DESCRIPTION	DATE	DWN	APVD
				SEE SHEET 1			

WITH BOSS													
		50.5	45.5	0.4	24.1	44	40.4	20.2	1000	80	5-1565360-3	5-1565359-3	
WITHOUT BOSS													
		20.2	17.5	0.4	9.1	16	--	7.5	1000	20	1565360-9	1565359-9	
	36.7	33.5	0.4	19.1	32	28.4	14.2	1000	60	1565360-5	1565359-5		
	50.5	45.5	0.4	24.1	44	40.4	20.2	1000	80	1565360-3	1565359-3		
	49.5	45.5	0.38	29.1	44	40.4	20.2	1000	100	1565360-1	1565359-1		
BOSS	W2	W1	E	D	C	B	A	QTY/REEL	POS	CONNECTOR P/N	TAPING P/N		

鉛フリー  
LEAD FREE

THIS DRAWING IS A CONTROLLED DOCUMENT.

DIMENSIONS: 単位: 珎 MM	TOLERANCES UNLESS OTHERWISE SPECIFIED: 一般公差
	0 PLC ± 0.3 1 PLC ± 0.3 2 PLC ± 0.3 3 PLC ± 0.3 4 PLC ± 0.3 ANGLES ± 3'
MATERIAL 材料	FINISH 仕上

INSTRUCTION SHEET 取扱説明書 411-5808		WIRE RANGE 抱合電線断面積		INSULATION DIA 被覆外径	
DWN	DWN				
CHK	CHK				
APVD	APVD				
PRODUCT SPEC 製品規格 108-5496	NAME 名称 ON TAPING (EMBOSS) 0.5mm PITCH FINE MATE CONN. TAB ASSEMBLY (V-TYPE) (H=4.5)				
APPLICATION SPEC 取付適用規格	SIZE	CAGE CODE	DRAWING NO 番号	RESTRICTED TO	
WEIGHT	A3	00779	C-1565359		
CUSTOMER DRAWING			SCALE 尺度 4:1	SHEET 2 OF 2	REV A