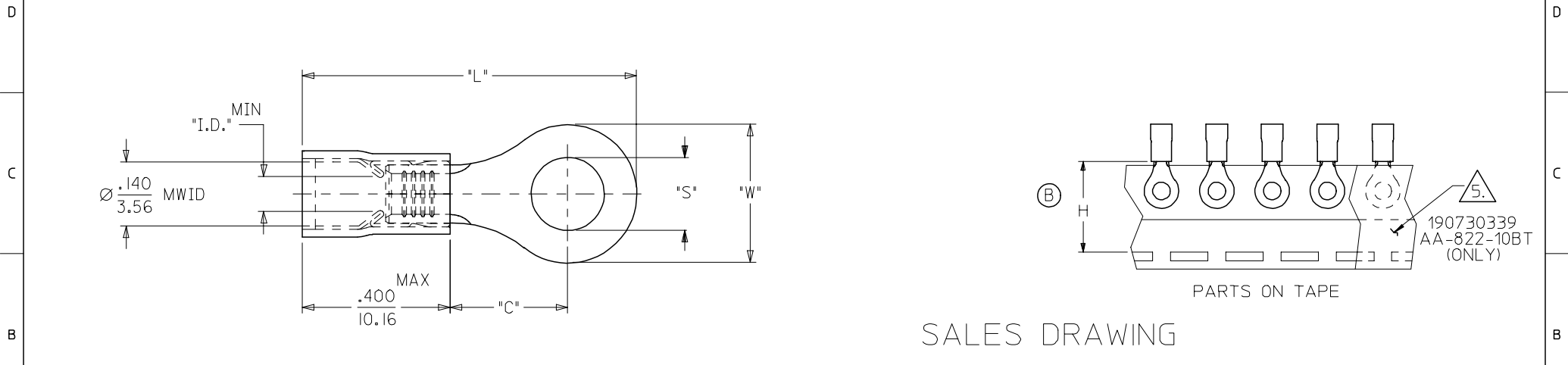


MATERIAL NUMBER	ALTERNATE NUMBER	STUD SIZE	"S"	"W"	"C"	"L"	"I.D."	H ±.010/0.25	PACKAGING
190730022	AA-822-10	10	.198(5.03)	.47(11.9)	.39(9.8)	1.06(26.9)	.062(1.57)	N/A	LOOSE PIECE
190730024	AA-822-14	1/4	.265(6.73)	.47(11.9)	.39(9.8)	1.06(26.9)	.062(1.57)		
190730027	AA-822-56	5/16	.328(8.33)	.47(11.9)	.39(9.8)	1.06(26.9)	.062(1.57)		
190730029	AA-826-10	10	.198(5.03)	.54(13.6)	.55(14.0)	1.26(32.0)	.054(1.37)		
190730030	AA-826-14	1/4	.265(6.73)	.54(13.6)	.55(14.0)	1.26(32.0)	.054(1.37)		
190730032	AA-826-38	3/8	.390(9.91)	.54(13.6)	.55(14.0)	1.26(32.0)	.054(1.37)		
190730034	AA-826-56	5/16	.328(8.33)	.54(13.6)	.55(14.0)	1.26(32.0)	.054(1.37)	TAPE MOUNTED	
190730023	AA-822-10T	10	.198(5.03)	.47(11.9)	.39(9.8)	1.06(26.9)	.062(1.57)		
190730339	AA-822-10BT	10	.198(5.03)	.47(11.9)	.39(9.8)	1.06(26.9)	.062(1.57)		
190730026	AA-822-14T	1/4	.265(6.73)	.47(11.9)	.39(9.8)	1.06(26.9)	.062(1.57)		
190730028	AA-822-56T	5/16	.328(8.33)	.47(11.9)	.39(9.8)	1.06(26.9)	.062(1.57)		
190730319	AA-826-10T	10	.198(5.03)	.54(13.6)	.55(14.0)	1.26(32.0)	.054(1.37)		
190730031	AA-826-14T	1/4	.265(6.73)	.54(13.6)	.55(14.0)	1.26(32.0)	.054(1.37)		
190730033	AA-826-38T	3/8	.390(9.91)	.54(13.6)	.55(14.0)	1.26(32.0)	.054(1.37)		
190730035	AA-826-56T	5/16	.328(8.33)	.54(13.6)	.55(14.0)	1.26(32.0)	.054(1.37)		



SALES DRAWING

NOTES:
 1. MATERIAL: COPPER
 PLATING: ELECTROPLATE TIN
 2. FERRULE: TIN-PLATED BRASS
 3. INSULATION: RED NYLON
 4. MWID=MAXIMUM WIRE INSULATION DIA.
 5. INTERLEAF PAPER (191660010, 24613) IS REQUIRED ON 190730339, AA-822-10BT REELS.

ADDED 190730339 EC NO: ETC2005-0137 DRW/BENDERLE 2005/02/15 CHKDR/DEROSS 2005/02/15 APPR:RDEROSS 2005/02/15	QUALITY SYMBOLS	GENERAL TOLERANCES (UNLESS SPECIFIED)	DIMENSION STYLE	SCALE	DESIGN UNITS	THIRD ANGLE PROJECTION
	▽=0	4 PLACES ± --- ± ---	IN/MM	NONE	INCH	
	▽=0	3 PLACES ± --- ± ---				
		2 PLACES ± --- ± ---				
	1 PLACE ± --- ± ---	ANGULAR ± ---°				
		DRAFT WHERE APPLICABLE MUST REMAIN WITHIN DIMENSIONS	MATERIAL NO.	DOCUMENT NO.	SHEET NO.	
			SEE CHART	SD-19073-003	1 OF 1	
			THIS DRAWING CONTAINS INFORMATION THAT IS PROPRIETARY TO MOLEX INCORPORATED AND SHOULD NOT BE USED WITHOUT WRITTEN PERMISSION			