

15MQ040N SCHOTTKY RECTIFIER

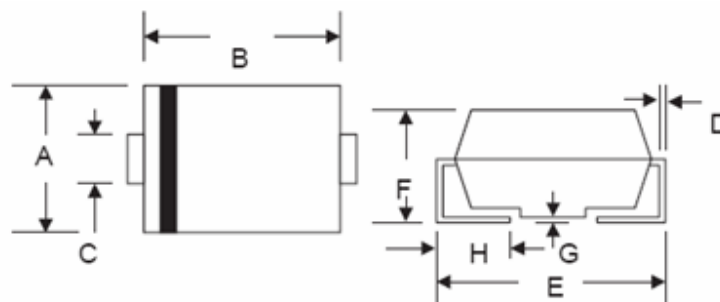
Applications:

- Disk Drives
- Switching power supply
- Converters
- Free-Wheeling diodes
- Reverse battery protection
- Battery Charging

Features:

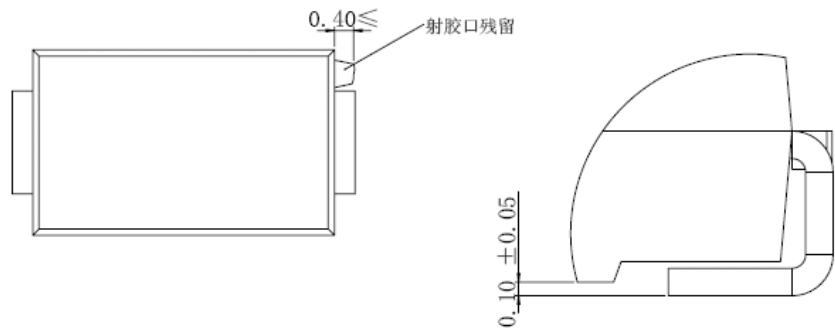
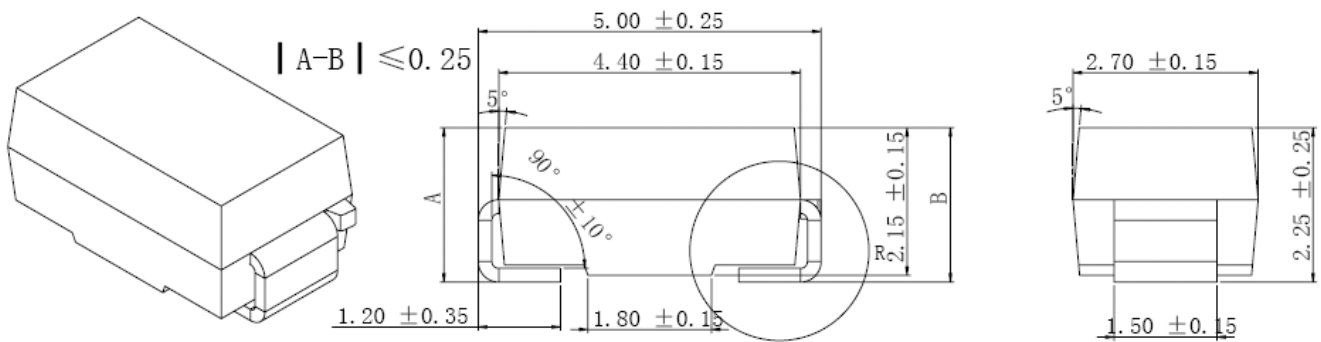
- Small foot print, surface moutable
- Low forward voltage drop
- High frequency operation
- Guard ring for enhanced ruggedness and long term reliability
- This is a Pb – Free Device
- All SMC parts are traceable to the wafer lot
- Additional testing can be offered upon request

Mechanical Dimensions (In mm / Inches):



SMA/DO-214AC				
Dim	Min	Max	Min	Max
A	2.50	2.90	0.098	0.114
B	4.00	4.60	0.157	0.181
C	1.40	1.60	0.055	0.063
D	0.152	0.305	0.006	0.012
E	4.80	5.28	0.189	0.208
F	2.00	2.44	0.079	0.096
G	0.051	0.203	0.002	0.008
H	0.76	1.52	0.030	0.060
	In mm		In inch	

OPTION 1

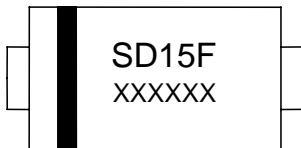


OPTION2 (JK)

SMA

Technical Data
Data Sheet N0021, Rev. A
Marking Diagram:

Green Products



Where XXXXX is YYWWL

- S = Device Type
- D = Package Type
- 15 = Forward Current (1.5A)
- F = Reverse Voltage (40V)
- YY = Year
- WW = Week
- L = Lot Number

Cautions: Molding resin
 Epoxy resin UL:94V-0

Ordering Information:

Device	Package	Shipping
SD15F	SMA (Pb-Free)	5000pcs / reel

For information on tape and reel specifications, including part orientation and tape sizes, please refer to our Tape and Reel Packaging Specification.

Maximum Ratings:

Characteristics	Symbol	Condition	Max.	Units
Peak Inverse Voltage	V_{RWM}	-	40	V
Average Forward Current	$I_{F(AV)}$	50% duty cycle @ $T_L=105^{\circ}C$, rectangular wave form On PC board 9mm ² island	2.1	A
Peak One Cycle Non-Repetitive Surge Current (per leg)	I_{FSM}	8.3 ms, half Sine pulse	60	A

Technical Data
Data Sheet N0021, Rev. A
Green Products
Electrical Characteristics:

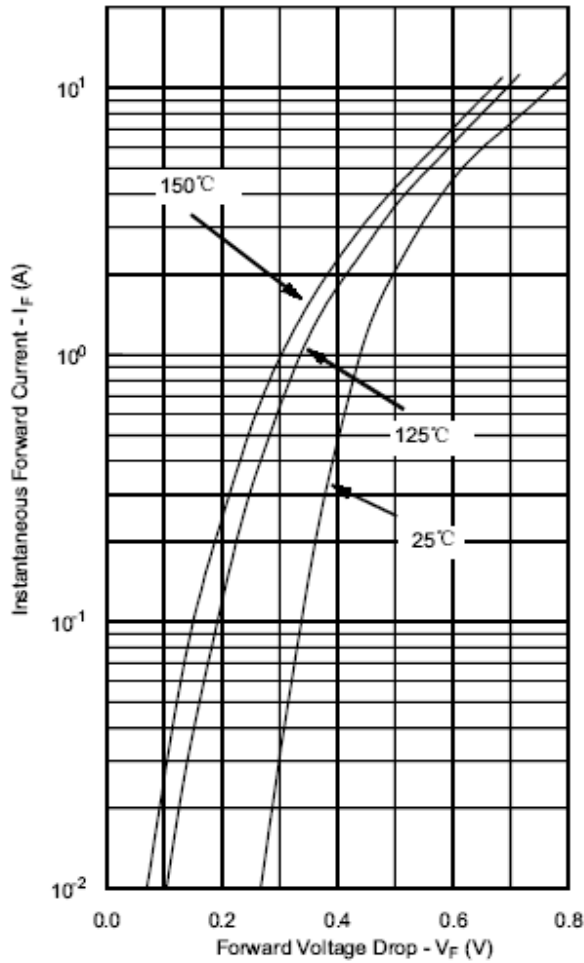
Characteristics	Symbol	Condition	Max.	Units
Forward Voltage Drop*	V _{F1}	@ 1 A, Pulse, T _J = 25 °C	0.42	V
		@ 2 A, Pulse, T _J = 25 °C	0.49	
	V _{F2}	@ 1 A, Pulse, T _J = 100 °C	0.34	V
		@ 2 A, Pulse, T _J = 100 °C	0.43	
Reverse Current *	I _{R1}	@V _R = Rated V _R , Pulse, T _J = 25 °C	1.0	mA
	I _{R2}	@V _R = Rated V _R , Pulse, T _J = 125 °C	20	mA
Junction Capacitance	C _T	@V _R = 10V, T _C = 25 °C f _{SIG} = 1MHz	134	PF
Typical Series Inductance	L _S	Measured lead to lead 5 mm from package body	2.0	nH
Voltage Rate of Change	dv/dt	-	10,000	V/μs

* Pulse Width < 300μs, Duty Cycle < 2%

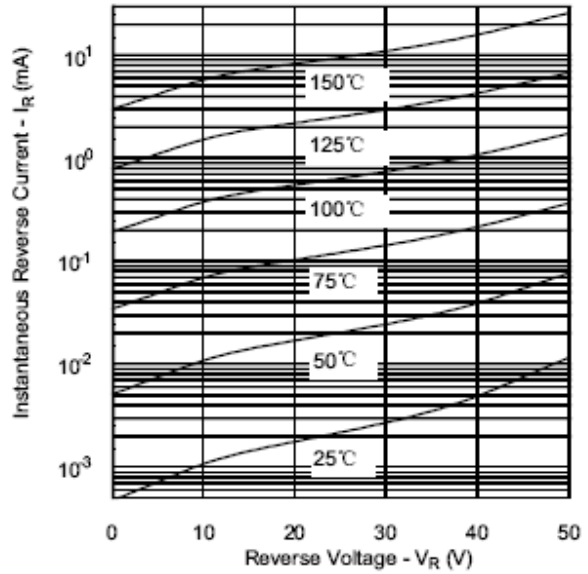
Thermal-Mechanical Specifications:

Characteristics	Symbol	Condition	Specification	Units
Junction Temperature	T _J	-	-55 to +150	°C
Storage Temperature	T _{stg}	-	-55 to +150	°C
Maximum Thermal Resistance Junction to Ambient	R _{θJA}	DC operation	80	°C/W
Approximate Weight	wt	-	0.07	g
Case Style	SMA			

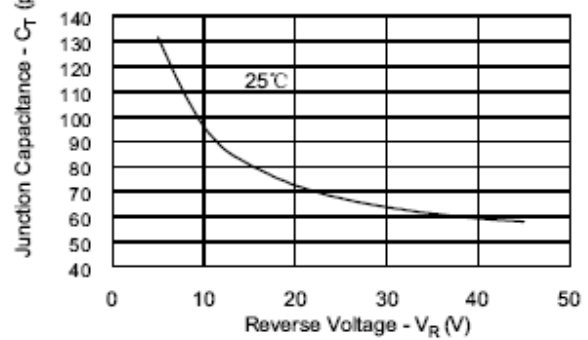
Typical Forward Characteristics



Typical Reverse Characteristics



Typical Junction Capacitance



DISCLAIMER:

- 1- The information given herein, including the specifications and dimensions, is subject to change without prior notice to improve product characteristics. Before ordering, purchasers are advised to contact the SMC - Sangdest Microelectronics (Nanjing) Co., Ltd sales department for the latest version of the datasheet(s).
- 2- In cases where extremely high reliability is required (such as use in nuclear power control, aerospace and aviation, traffic equipment, medical equipment, and safety equipment), safety should be ensured by using semiconductor devices that feature assured safety or by means of users' fail-safe precautions or other arrangement.
- 3- In no event shall SMC - Sangdest Microelectronics (Nanjing) Co., Ltd be liable for any damages that may result from an accident or any other cause during operation of the user's units according to the datasheet(s). SMC - Sangdest Microelectronics (Nanjing) Co., Ltd assumes no responsibility for any intellectual property claims or any other problems that may result from applications of information, products or circuits described in the datasheets.
- 4- In no event shall SMC - Sangdest Microelectronics (Nanjing) Co., Ltd be liable for any failure in a semiconductor device or any secondary damage resulting from use at a value exceeding the absolute maximum rating.
- 5- No license is granted by the datasheet(s) under any patents or other rights of any third party or SMC - Sangdest Microelectronics (Nanjing) Co., Ltd.
- 6- The datasheet(s) may not be reproduced or duplicated, in any form, in whole or part, without the expressed written permission of SMC - Sangdest Microelectronics (Nanjing) Co., Ltd.
- 7- The products (technologies) described in the datasheet(s) are not to be provided to any party whose purpose in their application will hinder maintenance of international peace and safety nor are they to be applied to that purpose by their direct purchasers or any third party. When exporting these products (technologies), the necessary procedures are to be taken in accordance with related laws and regulations..