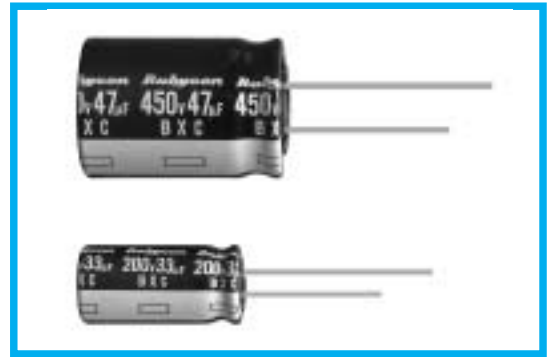


BXC SERIES
Load Life: 105°C 5000~10000 Hours.
◆ FEATURES

- High Ripple Current
- For Electronic Ballast
- RoHS compliance.


◆ SPECIFICATIONS

Items	Characteristics												
Category Temperature Range	-25~+105°C												
Rated Voltage Range	160~450V.DC												
Capacitance Tolerance	±20% (20°C, 120Hz)												
Leakage Current(MAX)	160~450V.DC												
	CV ≤ 1000	CV > 1000											
	I=0.1CV+40μA (1minute) I=0.03CV+15μA (5minutes)	I=0.04CV+100μA (1minute) I=0.02CV+25μA (5minutes)											
	I=Leakage Current(μA) C=Rated Capacitance(μF) V=Rated Voltage(V)												
Dissipation Factor(MAX) (tan δ)	Rated Voltage (V)	(20°C, 120Hz)											
	tan δ	<table border="1"> <tr> <td>160</td><td>200</td><td>250</td><td>350</td><td>400</td><td>450</td> </tr> <tr> <td>0.15</td><td>0.15</td><td>0.15</td><td>0.20</td><td>0.20</td><td>0.20</td> </tr> </table>	160	200	250	350	400	450	0.15	0.15	0.15	0.20	0.20
160	200	250	350	400	450								
0.15	0.15	0.15	0.20	0.20	0.20								
Endurance	After life test with rated ripple current at conditions stated in the table below, the capacitors shall meet the following requirements.												
	Capacitance Change			Within ±20% of the initial value.									
	Dissipation Factor			Not more than 200% of the specified value.									
	Leakage Current			Not more than the specified value.									
	Size	Life Time (hrs)											
	8×11.5, 10×12.5	5000											
	10×16, 10×20	8000											
	φ D ≥ 12.5	10000											
Low Temperature Stability Impedance Ratio(MAX)	Rated Voltage (V)	(120Hz)											
	Z(-25°C)/Z(20°C)	160	200	250	350	400	450						
	Z(-25°C)/Z(20°C)	3	3	3	6	6	6						

◆ MULTIPLIER FOR RIPPLE CURRENT

Frequency coefficient

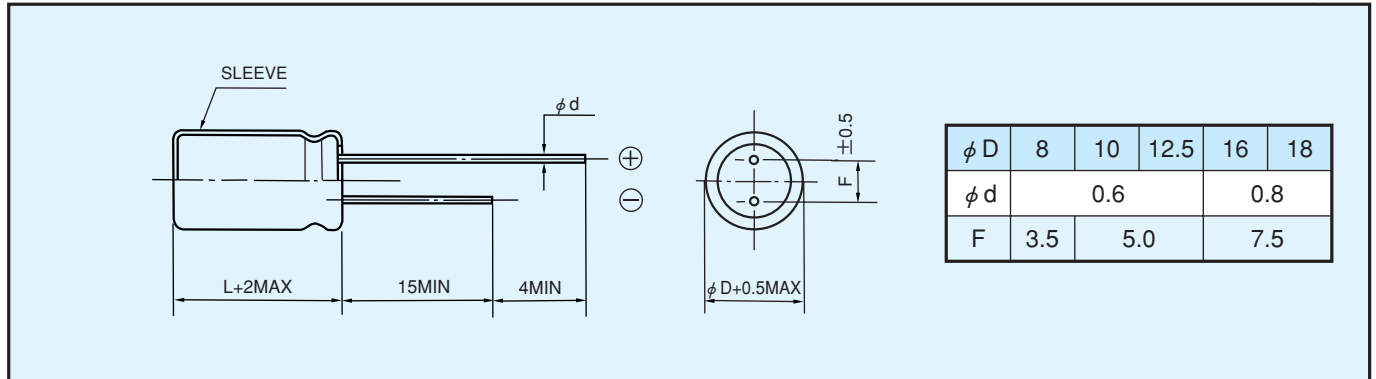
Frequency (Hz)		120	1k	10k	≥100k
Coefficient	1~4.7 μF	0.2	0.4	0.8	1.0
	6.8~15 μF	0.3	0.6	0.9	1.0
	22~82 μF	0.4	0.7	0.9	1.0
	100~220 μF	0.45	0.75	0.9	1.0

◆ PART NUMBER

□□□	BXC	□□□□□	□	□□□	□□	D×L
Rated Voltage	Series	Rated Capacitance	Capacitance Tolerance	Option	Lead Forming	Case Size

◆ DIMENSIONS

(mm)



◆ STANDARD SIZE, RATED RIPPLE CURRENT

Size $\phi D \times L$ (mm), Ripple Current (mA r.m.s./105°C, 100kHz)

WV (V.DC) Cap (μF)	160V (2C)		200V (2D)		250V (2E)	
	Size	Ripple	Size	Ripple	Size	Ripple
4.7					8×11.5	160
6.8					10×12.5	250
10	10×16	320	10×16	320	10×16	320
22	10×20	500	10×20	500	10×20	500
33	10×20	650	10×20	650	12.5×20	800
47	10×20	750	12.5×20	980	12.5×20	980
68	12.5×20	1180	12.5×25 16×20	1300	16×20	1300
82			16×20	1380	16×20	1380
100	12.5×25 16×20	1420	16×20	1420	16×25	1530
150	16×25	1890	16×25	1890	18×25	1940
220	18×25	2370				

WV (V.DC) Cap (μF)	350V (2V)		400V (2G)		450V (2W)	
	Size	Ripple	Size	Ripple	Size	Ripple
1			8×11.5 10×12.5	60 70		
1.5			8×11.5 10×12.5	90 100		
1.8			8×11.5 10×12.5	95 120		
2.2			8×11.5 10×12.5	95 140		
3.3			10×12.5 10×16	150 180		
4.7	10×12.5	150	10×16	220	10×20	220
5.6	10×12.5	180	10×16	250	10×20	250
6.8	10×16	280	10×16	280	10×20	280
10	10×20	350	10×20	350	12.5×20	450
15			12.5×20	550	12.5×25	600
22	12.5×20	650	12.5×25 16×20	760	16×20	730
33	16×20	900	16×20	900	16×25	980
47	16×20	1080	16×25 18×20	1180	18×25	1200
68	18×25	1470	18×25	1470		
82	18×25	1530				