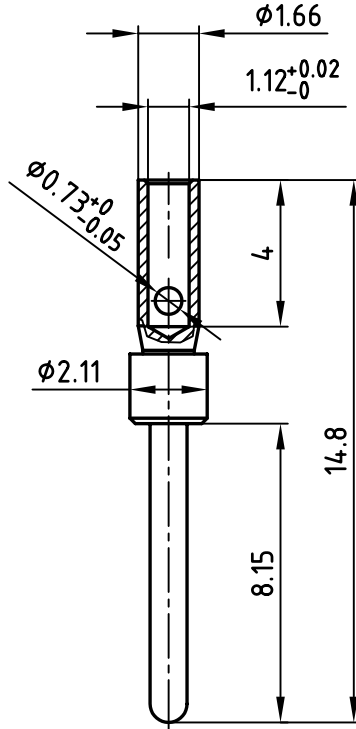


used for: D-SUB



Directive 2002/95/EC
"RoHS"
Compliant

APPROVAL # FREIGABE # DEBLOCAGE # AUTORIZACION # APPROVAL	
CUSTOMER APPROVAL DATE:	
NAME:	TITLE:
COMPANY NAME:	
APPROVAL # FREIGABE # DEBLOCAGE # AUTORIZACION # APPROVAL	

Notes:

- Material: brass
- Finish: 8µ" hard-gold-plated in the contact area
- Temperature range: -55°C to +125°C
- Rated current: 7.5A
- Contact resistance: <= 10mOhm

THIS DRAWING MAY NOT BE COPIED OR REPRODUCED IN ANY WAY, AND MAY NOT BE PASSED ON TO A THIRD PARTY WITHOUT WRITTEN PERMISSION.
OWNERSHIP AND COPYRIGHT OF CONEC GmbH
DO NOT ALTER CAD DRAWING BY HAND

			tolerance		scale: 5:1
				dim. in mm	material: SEE NOTES
			2006	date	name
			drawn	08.02.	Lehmenkühler
			appd.	08.02.	Mickenbecker
			norm		
			d-old		
a	Origin				
rev.	description	date			

title:		CRIMP PLUG CONTACT	
		screw machined version	
		accepts cable AWG 24-20	
dwg no:		AutoCAD 2004	DIN-A
		16K1A1743	4
		sh: 1/1	
part no:		161A18299X	