

4

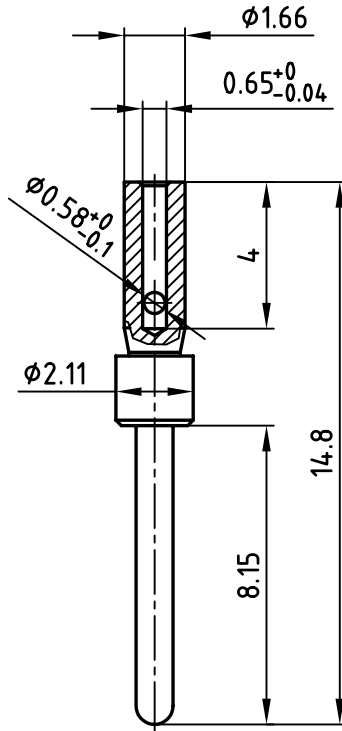
3

2

1

used for:

D-SUB



APPROVAL # FREIGABE # DEBLOCAGE # AUTORIZACION # APPROVAL	
CUSTOMER APPROVAL DATE:	
NAME:	TITLE:
COMPANY NAME:	
APPROVAL # FREIGABE # DEBLOCAGE # AUTORIZACION # APPROVAL	

Directive 2002/95/EC  
"RoHS"  
Compliant

## Notes:

Material: brass

Finish: hard-gold-plated in the contact area

Temperature range: -55°C to +125°C

Rated current: 5.0A

Contact resistance: ≤ 10mOhm

THIS DRAWING MAY NOT BE COPIED OR REPRODUCED IN ANY WAY, AND MAY NOT BE PASSED ON TO A THIRD PARTY WITHOUT WRITTEN PERMISSION.  
OWNERSHIP AND COPYRIGHT OF CONEC GmbH  
DO NOT ALTER CAD DRAWING BY HAND

			tolerance		scale: 5:1
				dim. in mm	material: SEE NOTES
			2003	date	name
			drawn	04.06.	Lehmenkühler
			appd.	10.06.	Kühle
			norm		
			d-old		
rev.	description	date			

title:  
**CRIMP PLUG CONTACT**  
screw machined version  
accepts cable AWG 28-24

dwg no: AutoCAD 2000  
**16K1A968**  
DIN-A  
4  
sh: 1/1

part no: **161A18309X**

4

3

2

1